



Message Implementation Guideline

## EDIFACT ORDERS D00A

based on

### **ORDERS**

Purchase order message

### **UN D.00A S3**

Version: 1.2  
Issue date: 09.06.2022  
Author: BENTELER Business Services GmbH

1 Message Structure.....	2
2 Branching Diagram .....	4
3 Segments .....	11

## Structure / Table of Contents

Counter	No	Tag	St	MaxOcc	Level	Content
0000	1	<b>UNA</b>	R	1	0	Service string advice
0000	2	<b>UNB</b>	M	1	0	Interchange header
0010	3	<b>UNH</b>	M	1	0	Message header
0020	4	<b>BGM</b>	M	1	0	Beginning of message
0030	5	<b>DTM</b>	M	1	1	PREPARATION DATE
0070	6	<b>FTX</b>	O	99	1	Free text
0090		<b>SG1</b>	R	1	1	ORDER DETAILS
0100	7	<b>RFF</b>	M	1	1	Reference
0110	8	<b>DTM</b>	R	1	2	ORDER DATE
0120		<b>SG2</b>	R	1	1	BUYER DETAILS
0130	9	<b>NAD</b>	M	1	1	Name and address
0220		<b>SG5</b>	R	1	2	MATERIAL CONTACT
0230	10	<b>CTA</b>	M	1	2	Contact information
0240	11	<b>COM</b>	O	1	3	MAIL
0240	12	<b>COM</b>	O	1	3	TELEFAX
0240	13	<b>COM</b>	O	1	3	TELEPHONE
0120		<b>SG2</b>	R	1	1	SUPPLIER DETAILS
0130	14	<b>NAD</b>	M	1	1	Name and address
0220		<b>SG5</b>	O	1	2	SUPPLIER CONTACT
0230	15	<b>CTA</b>	M	1	2	Contact information
0240	16	<b>COM</b>	O	1	3	MAIL
0240	17	<b>COM</b>	O	1	3	TELEFAX
0240	18	<b>COM</b>	O	1	3	TELEPHONE
0120		<b>SG2</b>	R	1	1	CONSIGNEE DETAILS
0130	19	<b>NAD</b>	M	1	1	Name and address
0140	20	<b>LOC</b>	R	1	2	PLACE OF DISCHARGE
0220		<b>SG5</b>	O	1	2	CONSIGNEE CONTACT
0230	21	<b>CTA</b>	M	1	2	Contact information
0240	22	<b>COM</b>	O	1	3	MAIL
0240	23	<b>COM</b>	O	1	3	TELEFAX
0240	24	<b>COM</b>	O	1	3	TELEPHONE
0120		<b>SG2</b>	D	1	1	THIRD PARTY DETAILS
0130	25	<b>NAD</b>	M	1	1	Name and address
1030		<b>SG28</b>	R	200000	1	ORDER POSITION
1040	26	<b>LIN</b>	M	1	1	Line item
1050	27	<b>PIA</b>	R	25	2	Additional product id
1060	28	<b>IMD</b>	O	99	2	Item description
1080	29	<b>QTY</b>	R	1	2	CUMULATIVE QUANTITY
1080	30	<b>QTY</b>	R	1	2	ORDERED QUANTITY

Counter = Counter of segment/group within the standard  
 No = Consecutive segment number  
 MaxOcc = Maximum occurrence of the segment/group

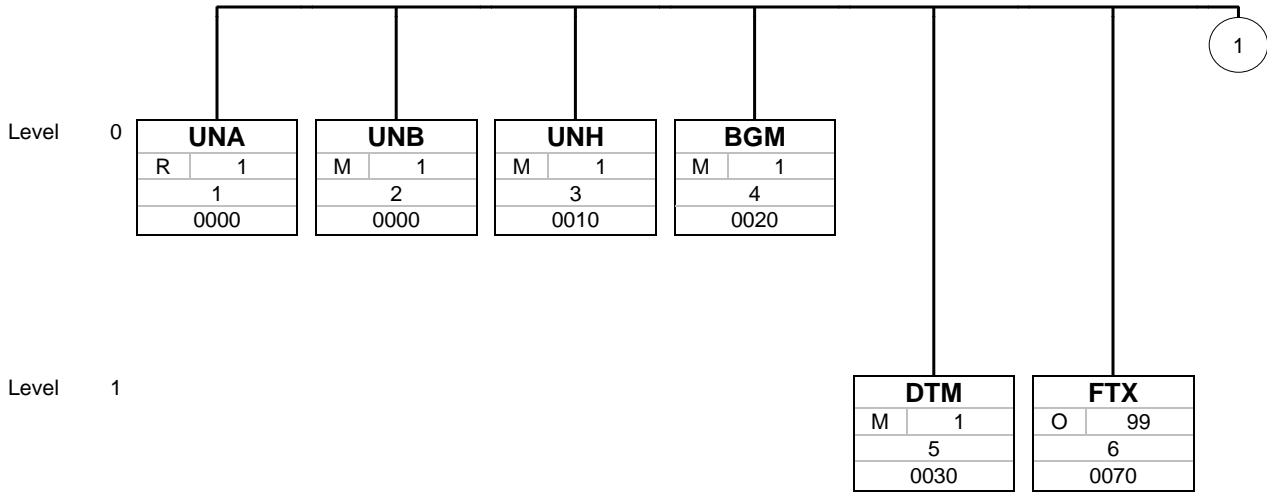
St = Status  
 EDIFACT: M=Mandatory, C=Conditional  
 User specific: R=Required, O=Optional, D=Dependent,  
 A=Advised, N=Not used

Counter	No	Tag	St	MaxOcc	Level	Content
1080	31	<b>QTY</b>	R	1	2	UNITS PER PRICE
1110	32	<b>DTM</b>	R	1	2	GOODS RECEIPT DATE
1120	33	<b>MOA</b>	R	1	2	NET AMOUNT
1190	34	<b>FTX</b>	O	99	2	FREE POSITION TEXT
1370		<b>SG33</b>	O	1	2	BUYERS CONTRACT
1380	35	<b>RFF</b>	M	1	2	Reference
1390	36	<b>DTM</b>	O	1	3	Date/time/period
1370		<b>SG33</b>	O	1	2	ACCOUNT NUMBER
1380	37	<b>RFF</b>	M	1	2	Reference
2320	38	<b>UNS</b>	M	1	0	Section control
2330	39	<b>MOA</b>	R	1	1	TOTAL ITEM AMOUNT
2390	40	<b>UNT</b>	M	1	0	Message trailer
0000	41	<b>UNZ</b>	M	1	0	Interchange trailer

Counter = Counter of segment/group within the standard  
 No = Consecutive segment number  
 MaxOcc = Maximum occurrence of the segment/group

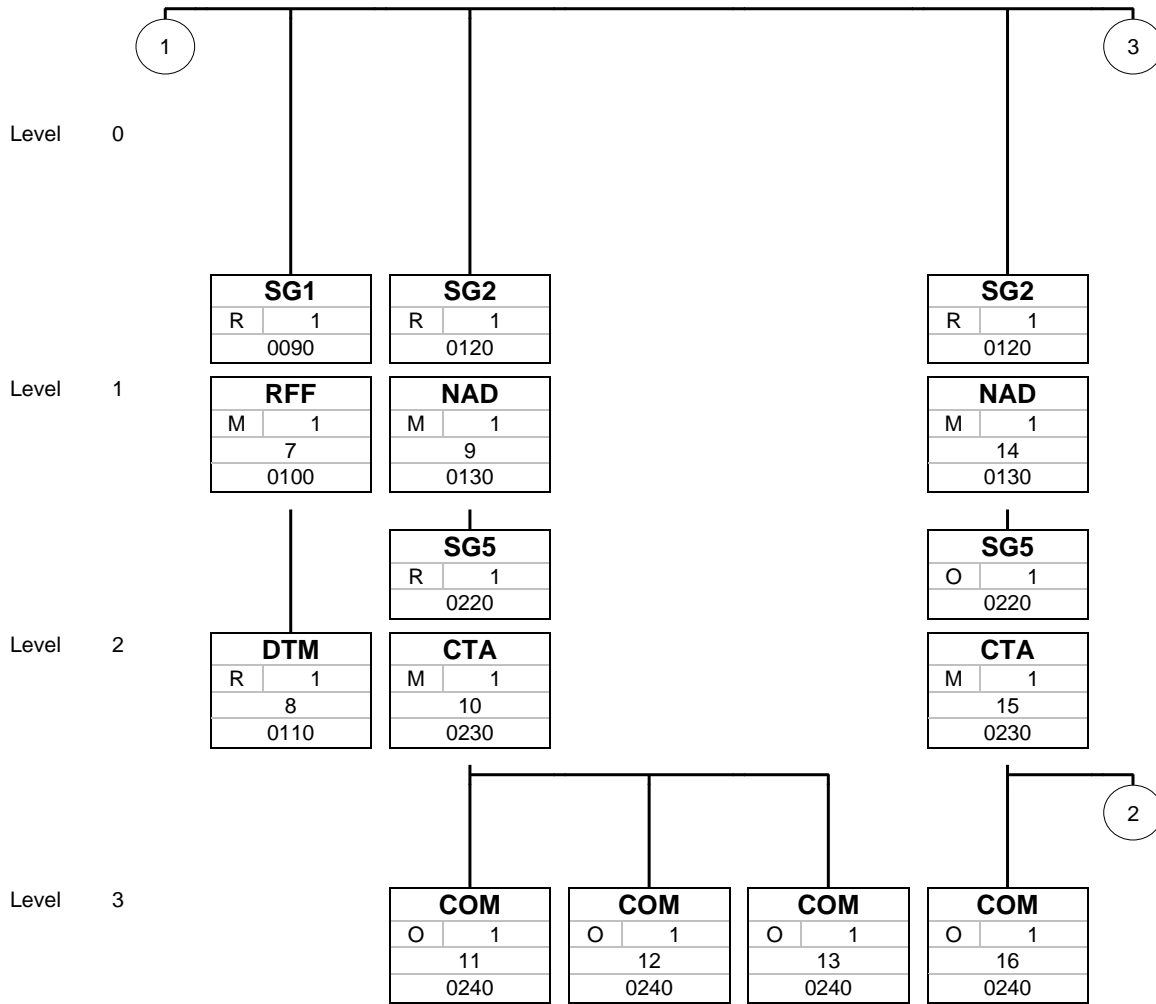
St = Status  
 EDIFACT: M=Mandatory, C=Conditional  
 User specific: R=Required, O=Optional, D=Dependent,  
 A=Advised, N=Not used

**Branching Diagram of Used Segments/Groups**



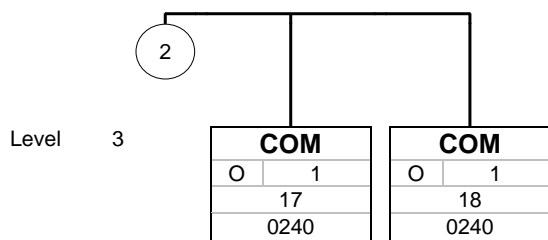
Tag
St MaxOcc
No
Counter

Tag = Segment/Group Tag  
 St = Status (M=Mandatory, C=Conditional, R=Required, O=Optional, A=Advised, D=Dependent)  
 MaxOcc = Maximum occurrence of the segment/group  
 No = Consecutive segment number  
 Counter = Counter of segment/group within the standard



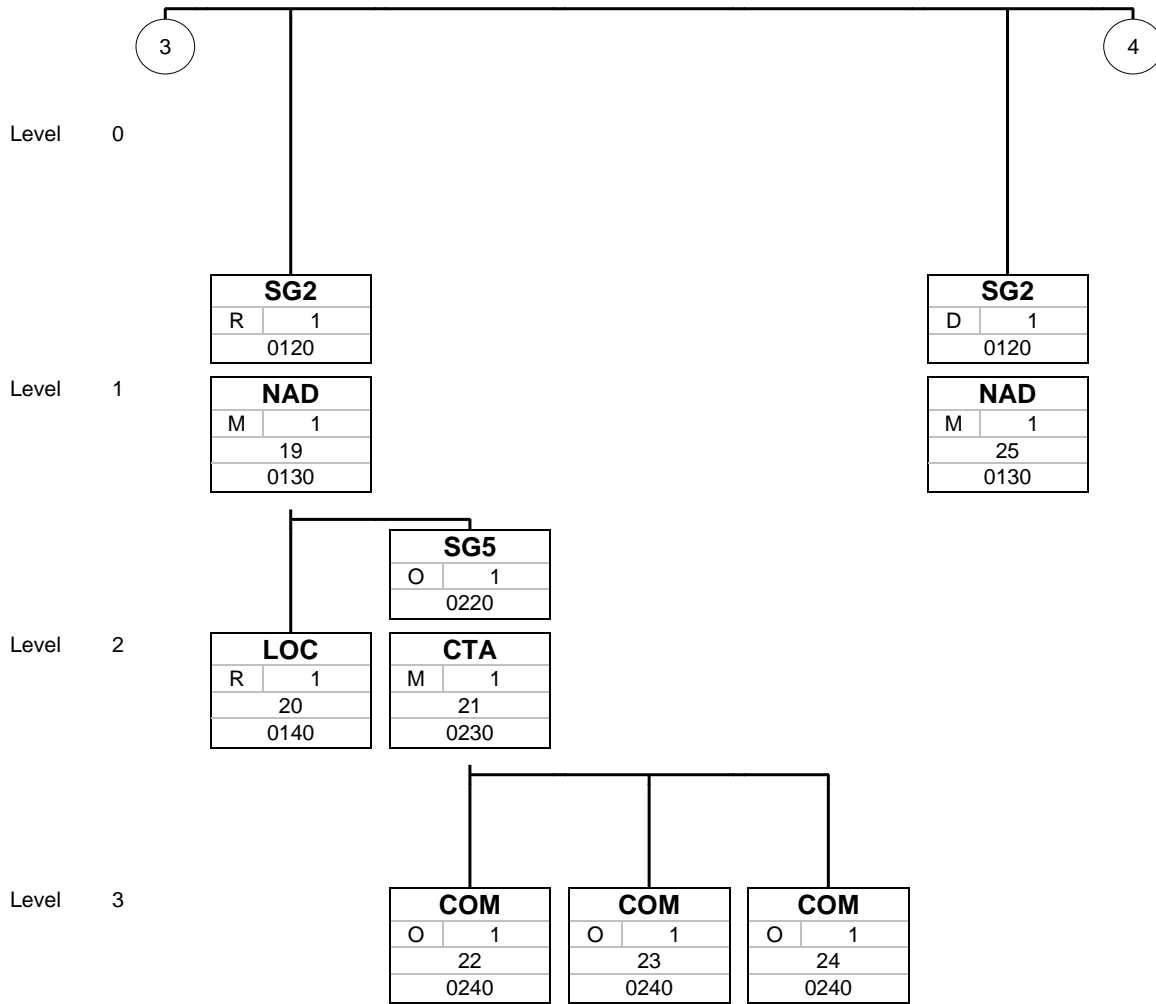
Tag
St MaxOcc
No
Counter

Tag = Segment/Group Tag  
 St = Status (M=Mandatory, C=Conditional, R=Required, O=Optional, A=Advised, D=Dependent)  
 MaxOcc = Maximum occurrence of the segment/group  
 No = Consecutive segment number  
 Counter = Counter of segment/group within the standard



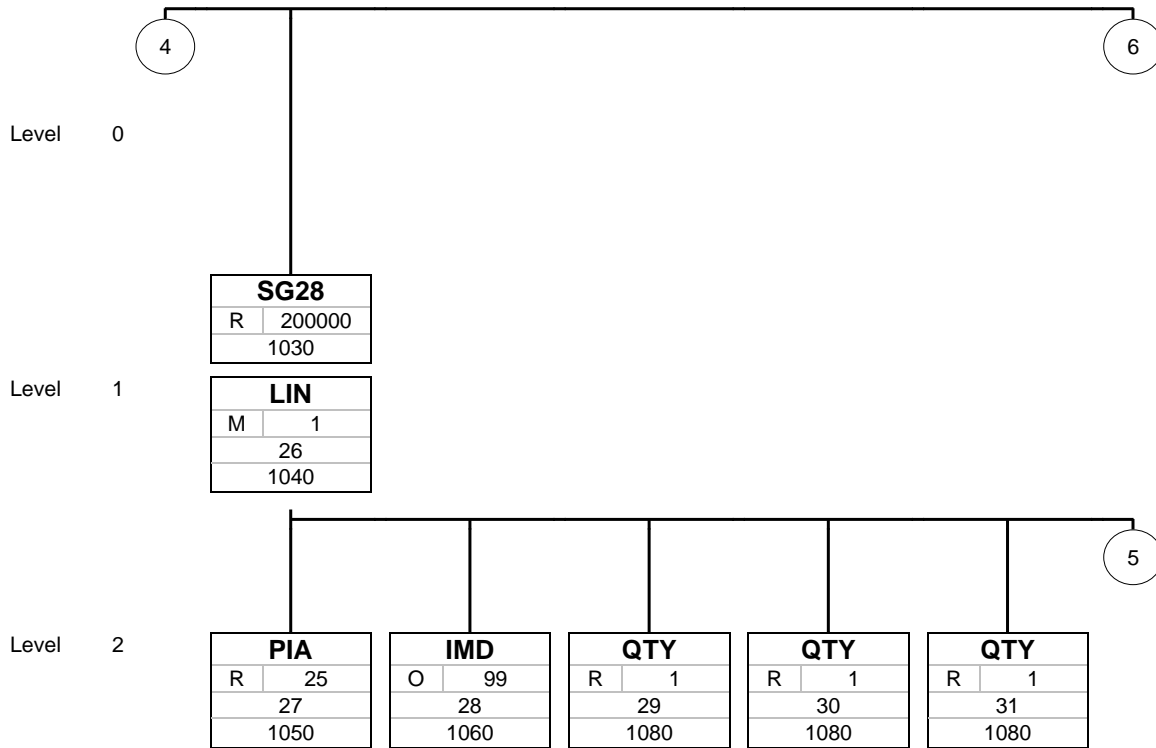
Tag
St MaxOcc
No
Counter

Tag = Segment/Group Tag  
 St = Status (M=Mandatory, C=Conditional, R=Required, O=Optional, A=Advised, D=Dependent)  
 MaxOcc = Maximum occurrence of the segment/group  
 No = Consecutive segment number  
 Counter = Counter of segment/group within the standard



Tag
St MaxOcc
No
Counter

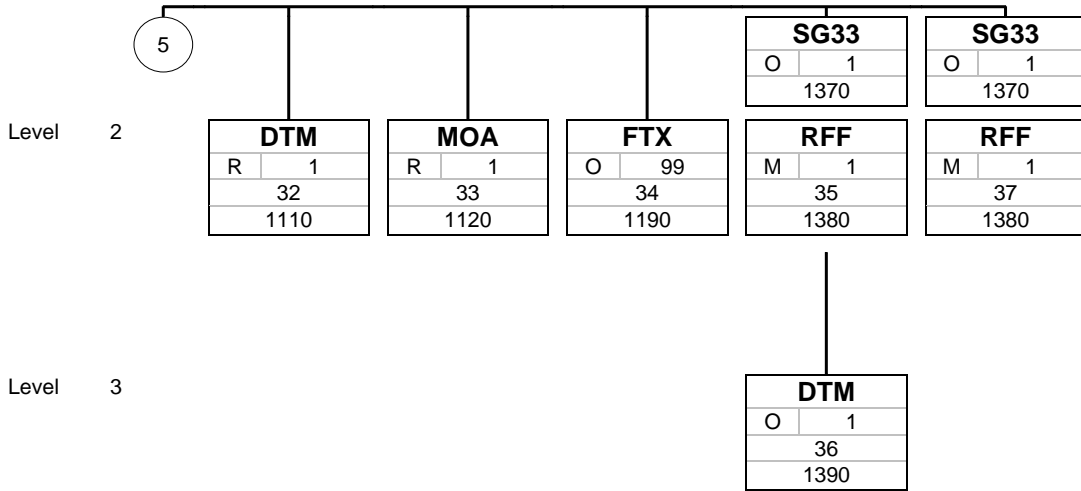
Tag = Segment/Group Tag  
 St = Status (M=Mandatory, C=Conditional, R=Required, O=Optional, A=Advised, D=Dependent)  
 MaxOcc = Maximum occurrence of the segment/group  
 No = Consecutive segment number  
 Counter = Counter of segment/group within the standard



Tag
St MaxOcc
No
Counter

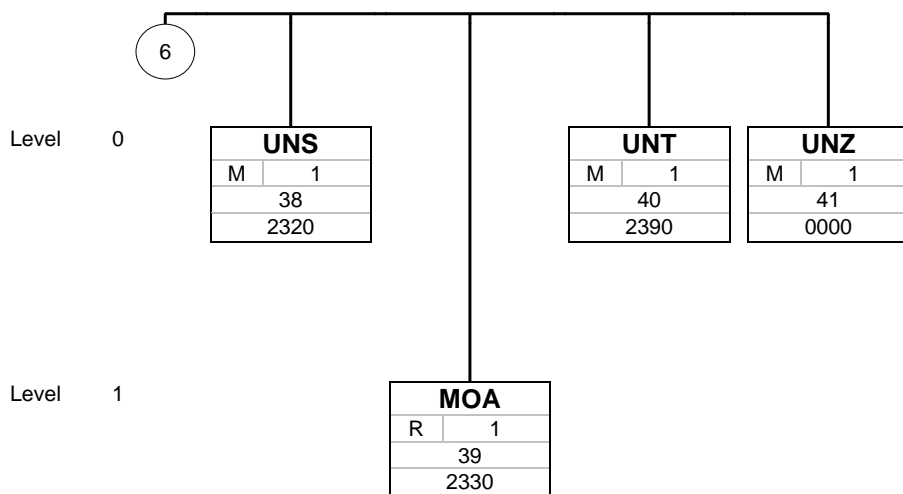
Tag = Segment/Group Tag  
 St = Status (M=Mandatory, C=Conditional, R=Required, O=Optional, A=Advised, D=Dependent)  
 MaxOcc = Maximum occurrence of the segment/group  
 No = Consecutive segment number  
 Counter = Counter of segment/group within the standard





Tag
St MaxOcc
No
Counter

Tag = Segment/Group Tag  
 St = Status (M=Mandatory, C=Conditional, R=Required, O=Optional, A=Advised, D=Dependent)  
 MaxOcc = Maximum occurrence of the segment/group  
 No = Consecutive segment number  
 Counter = Counter of segment/group within the standard



Tag
St MaxOcc
No
Counter

Tag = Segment/Group Tag  
 St = Status (M=Mandatory, C=Conditional, R=Required, O=Optional, A=Advised, D=Dependent)  
 MaxOcc = Maximum occurrence of the segment/group  
 No = Consecutive segment number  
 Counter = Counter of segment/group within the standard

## Segments

Counter	No	Tag	St	MaxOcc	Level	Name
0000	1	<b>UNA</b>	R	1	0	Service string advice

Standard			Implementation	
Tag	Name	St Format	St Format	Usage / Remark
UNA				
UNA1	Component data element separator	M an1	M an1	:
UNA2	Data element separator	M an1	M an1	+
UNA3	Decimal notation	M an1	M an1	.
UNA4	Release indicator	M an1	M an1	?
UNA5	Reserved for future use	M an1	M an1	SYNTAX V3 will be empty (default) SYNTAX V4 will be '*'
UNA6	Segment terminator	M an1	M an1	'

**Remark:**

**Example:**

UNA: + . ? ' '

No = Consecutive segment number  
 MaxOcc = Maximum occurrence of the segment/group  
 Counter = Counter of segment/group within the standard

St = Status  
 EDIFACT: M=Mandatory, C=Conditional  
 User specific: R=Required, O=Optional, D=Dependent,  
 A=Advised, N=Not used

Counter	No	Tag	St	MaxOcc	Level	Name
0000	2	<b>UNB</b>	M	1	0	Interchange header

		Standard	Implementation	
Tag	Name	St Format	St Format	Usage / Remark
UNB				
S001	Syntax identifier	M	M	
0001	Syntax identifier	M a4	M a4	<b>UNOC UN/ECE level C</b>
0002	Syntax version number	M n1	M n1	Version 3 Version 4 (default)
S002	Interchange sender	M	M	
0004	Sender identification	M an..35	M an..35	
0007	Partner identification code qualifier	C an..4	O an..4	<b>59 ODETTE (Organization for Data Exchange through Tele- Transmission in</b> Other codes are possible.
0008	Address for reverse routing	C an..14	N	Not used
S003	Interchange recipient	M	M	
0010	Recipient identification	M an..35	M an..35	
0007	Partner identification code qualifier	C an..4	O an..4	<b>59 ODETTE (Organization for Data Exchange through Tele- Transmission in</b> Other codes are possible.
0014	Routing address	C an..14	N	Not used
S004	Date/time of preparation	M	M	
0017	Date of preparation	M n6	M n8	SYNTAX V3 will be format YYMMDD SYNTAX V4 will be format CCYYMMDD (default)
0019	Time of preparation	M n4	M n4	
0020	Interchange control reference	M an..14	M an..14	
S005	Recipient's reference, password	C	N	
0022	Recipient's reference/password	M an..14	N	Not used
0025	Recipient's reference/password qualifier	C an2	N	Not used
0026	Application reference	C an..14	R an..14	Constant »ORDERS«
0029	Processing priority code	C a1	N	Not used
0031	Acknowledgement request	C n1	N	Not used
0032	Communications agreement ID	C an..35	N	Not used
0035	Test indicator	C n1	O n1	<b>1 Interchange is a test</b>

**Remark:****Example:**

UNB+UNOC:4+BENTELERID:59+SUPPLIERID:59+20220609:1118+29++ORDERS++++1'

No = Consecutive segment number  
 MaxOcc = Maximum occurrence of the segment/group  
 Counter = Counter of segment/group within the standard

St = Status  
 EDIFACT: M=Mandatory, C=Conditional  
 User specific: R=Required, O=Optional, D=Dependent,  
 A=Advised, N=Not used

Counter	No	Tag	St	MaxOcc	Level	Name
0010	3	<b>UNH</b>	M	1	0	Message header

		Standard	Implementation		
Tag	Name	St Format	St Format	Usage / Remark	
UNH					
0062	Message reference number	M an..14	M an..14	UNH Counter	
S009	Message identifier	M	M		
0065	Message type	M an..6	M an..6	<b>ORDERS Purchase order message</b>	
0052	Message version number	M an..3	M an..3	<b>D Draft version/UN/EDIFACT Directory</b>	
0054	Message release number	M an..3	M an..3	<b>00A Release 2000 - A</b>	
0051	Controlling agency	M an..2	M an..2	<b>UN UN/CEFACT</b>	
0057	Association assigned code	C an..6	N	Not used	
0068	Common access reference	C an..35	N	Not used	
S010	Status of the transfer	C	N		
0070	Sequence of transfers	M n..2	N	Not used	
0073	First and last transfer	C a1	N	Not used	

**Remark:****Example:**

UNH+1+ORDERS:D:00A:UN'

No = Consecutive segment number  
 MaxOcc = Maximum occurrence of the segment/group  
 Counter = Counter of segment/group within the standard

St = Status  
 EDIFACT: M=Mandatory, C=Conditional  
 User specific: R=Required, O=Optional, D=Dependent,  
 A=Advised, N=Not used

Counter	No	Tag	St	MaxOcc	Level	Name
0020	4	<b>BGM</b>	M	1	0	Beginning of message

		Standard	Implementation	
Tag	Name	St Format	St Format	Usage / Remark
<b>BGM</b>				
C002	Document/message name	C	R	
1001	Document name code	C an..3	R an..3	<b>220 Order</b>
1131	Code list identification code	C an..3	N	Not used
3055	Code list responsible agency code	C an..3	N	Not used
1000	Document name	C an..35	N	Not used
C106	Document/message identification	C	R	
1004	Document identifier	C an..35	R an..35	Sender's reference number (IDOC reference number generated by the Benteler SAP-System)
1056	Version identifier	C an..9	N	Not used
1060	Revision identifier	C an..6	N	Not used
1225	Message function code	C an..3	N	Not used
4343	Response type code	C an..3	N	Not used

**Remark:**

**Example:**

BGM+220+0000000017602578'

No = Consecutive segment number  
 MaxOcc = Maximum occurrence of the segment/group  
 Counter = Counter of segment/group within the standard

St = Status  
 EDIFACT: M=Mandatory, C=Conditional  
 User specific: R=Required, O=Optional, D=Dependent,  
 A=Advised, N=Not used

Counter	No	Tag	St	MaxOcc	Level	Name
0030	5	<b>DTM</b>	M	1	1	PREPARATION DATE

Standard			Implementation	
Tag	Name	St Format	St Format	Usage / Remark
DTM				
C507	Date/time/period	M	M	
2005	Date or time or period function code qualifier	M an..3	M an..3	<b>242 Preparation date/time of document</b>
2380	Date or time or period value	C an..35	R an..35	Format CCYYMMDD
2379	Date or time or period format code	C an..3	R an..3	<b>102 CCYYMMDD</b>

**Remark:**

**Example:**

DTM+242:20220609:102'

No = Consecutive segment number  
 MaxOcc = Maximum occurrence of the segment/group  
 Counter = Counter of segment/group within the standard

St = Status  
 EDIFACT: M=Mandatory, C=Conditional  
 User specific: R=Required, O=Optional, D=Dependent,  
 A=Advised, N=Not used

Counter	No	Tag	St	MaxOcc	Level	Name
0070	6	<b>FTX</b>	O	99	1	Free text

		Standard	Implementation		
Tag	Name	St Format	St Format	Usage / Remark	
FTX					
4451	Text subject code qualifier	M an..3	M an..3	<b>CUR Customer remarks</b>	
4453	Free text function code	C an..3	N	Not used	
C107	Text reference	C	N		
4441	Free text value code	M an..17	N	Not used	
1131	Code list identification code	C an..3	N	Not used	
3055	Code list responsible agency code	C an..3	N	Not used	
C108	Text literal	C	R		
4440	Free text value	M an..512	M an..512	Free text concerning the order	
4440	Free text value	C an..512	N	Not used	
4440	Free text value	C an..512	N	Not used	
4440	Free text value	C an..512	N	Not used	
4440	Free text value	C an..512	N	Not used	
3453	Language name code	C an..3	O an..3	<b>DE German</b> Further codes possible.	
4447	Free text format code	C an..3	N	Not used	

**Remark:****Example:**

FTX+CUR+++Free order text+DE'

No = Consecutive segment number  
 MaxOcc = Maximum occurrence of the segment/group  
 Counter = Counter of segment/group within the standard

St = Status  
 EDIFACT: M=Mandatory, C=Conditional  
 User specific: R=Required, O=Optional, D=Dependent,  
 A=Advised, N=Not used



Counter	No	Tag	St	MaxOcc	Level	Name
0090		<b>SG1</b>	R	1	1	<b>ORDER DETAILS</b>
0100	7	<b>RFF</b>	M	1	1	<b>Reference</b>

Standard			Implementation	
Tag	Name	St Format	St Format	Usage / Remark
RFF				
C506	Reference	M	M	
1153	Reference function code qualifier	M an..3	M an..3	<b>ON Order number (purchase)</b>
1154	Reference identifier	C an..35	R an..35	Order number
1156	Document line identifier	C an..6	N	Not used
4000	Reference version identifier	C an..35	N	Not used
1060	Revision identifier	C an..6	N	Not used

**Remark:**

**Example:**

RFF+ON:071459622'

No = Consecutive segment number  
 MaxOcc = Maximum occurrence of the segment/group  
 Counter = Counter of segment/group within the standard

St = Status  
 EDIFACT: M=Mandatory, C=Conditional  
 User specific: R=Required, O=Optional, D=Dependent,  
 A=Advised, N=Not used

Counter	No	Tag	St	MaxOcc	Level	Name
0090		<b>SG1</b>	R	1	1	ORDER DETAILS
0110	8	<b>DTM</b>	R	1	2	ORDER DATE

Standard			Implementation	
Tag	Name	St Format	St Format	Usage / Remark
DTM				
C507	Date/time/period	M	M	
2005	Date or time or period function code qualifier	M an..3	M an..3	<b>4 Order date/time</b>
2380	Date or time or period value	C an..35	R an..35	Format CCYYMMDDHHMMSS
2379	Date or time or period format code	C an..3	R an..3	<b>204 CCYYMMDDHHMMSS</b>

**Remark:**

**Example:**

DTM+4:20220609110059:204'

No = Consecutive segment number  
 MaxOcc = Maximum occurrence of the segment/group  
 Counter = Counter of segment/group within the standard

St = Status  
 EDIFACT: M=Mandatory, C=Conditional  
 User specific: R=Required, O=Optional, D=Dependent,  
 A=Advised, N=Not used

Counter	No	Tag	St	MaxOcc	Level	Name
0120		<b>SG2</b>	R	1	1	<b>BUYER DETAILS</b>
0130	9	<b>NAD</b>	M	1	1	<b>Name and address</b>

Standard			Implementation	
Tag	Name	St Format	St Format	Usage / Remark
NAD				
3035	Party function code qualifier	M an..3	M an..3	<b>BY Buyer</b>
C082	Party identification details	C	R	
3039	Party identifier	M an..35	M an..35	Buyer ID
1131	Code list identification code	C an..3	N	Not used
3055	Code list responsible agency code	C an..3	N	Not used
C058	Name and address	C	N	
3124	Name and address description	M an..35	N	Not used
3124	Name and address description	C an..35	N	Not used
3124	Name and address description	C an..35	N	Not used
3124	Name and address description	C an..35	N	Not used
3124	Name and address description	C an..35	N	Not used
C080	Party name	C	N	
3036	Party name	M an..35	N	Not used
3036	Party name	C an..35	N	Not used
3036	Party name	C an..35	N	Not used
3036	Party name	C an..35	N	Not used
3036	Party name	C an..35	N	Not used
3045	Party name format code	C an..3	N	Not used
C059	Street	C	N	
3042	Street and number or post office box identifier	M an..35	N	Not used
3042	Street and number or post office box identifier	C an..35	N	Not used
3042	Street and number or post office box identifier	C an..35	N	Not used
3042	Street and number or post office box identifier	C an..35	N	Not used
3164	City name	C an..35	N	Not used
C819	Country sub-entity details	C	N	
3229	Country sub-entity name code	C an..9	N	Not used
1131	Code list identification code	C an..3	N	Not used
3055	Code list responsible agency code	C an..3	N	Not used
3228	Country sub-entity name	C an..35	N	Not used
3251	Postal identification code	C an..17	N	Not used
3207	Country name code	C an..3	N	Not used

**Remark:**

**Example:**

NAD+BY+A1502441 '

No = Consecutive segment number  
 MaxOcc = Maximum occurrence of the segment/group  
 Counter = Counter of segment/group within the standard

St = Status  
 EDIFACT: M=Mandatory, C=Conditional  
 User specific: R=Required, O=Optional, D=Dependent,  
 A=Advised, N=Not used

Counter	No	Tag	St	MaxOcc	Level	Name
	0220	<b>SG5</b>	R	1	2	<b>MATERIAL CONTACT</b>
	0230	10 <b>CTA</b>	M	1	2	<b>Contact information</b>

Standard			Implementation	
Tag	Name	St Format	St Format	Usage / Remark
CTA				
3139	Contact function code	C an..3	R an..3	<b>MD Material disposition contact</b>
C056	Department or employee details	C	R	
3413	Department or employee name code	C an..17	N	Not used
3412	Department or employee name	C an..35	R an..35	Client's employee contact name

**Remark:**

**Example:**

CTA+MD+:Mr Mustermann'

No = Consecutive segment number  
 MaxOcc = Maximum occurrence of the segment/group  
 Counter = Counter of segment/group within the standard

St = Status  
 EDIFACT: M=Mandatory, C=Conditional  
 User specific: R=Required, O=Optional, D=Dependent,  
 A=Advised, N=Not used

Counter	No	Tag	St	MaxOcc	Level	Name
	0220	<b>SG5</b>	R	1	2	<b>MATERIAL CONTACT</b>
	0240	11 <b>COM</b>	O	1	3	<b>MAIL</b>

Standard			Implementation	
Tag	Name	St Format	St Format	Usage / Remark
COM				
C076	Communication contact	M	M	
3148	Communication number	M an..512	M an..512	
3155	Communication number code qualifier	M an..3	M an..3	<b>EM Electronic mail</b>

**Remark:**

**Example:**

COM+max.mustermann@benteler.example:EM'

No = Consecutive segment number  
 MaxOcc = Maximum occurrence of the segment/group  
 Counter = Counter of segment/group within the standard

St = Status  
 EDIFACT: M=Mandatory, C=Conditional  
 User specific: R=Required, O=Optional, D=Dependent,  
 A=Advised, N=Not used

Counter	No	Tag	St	MaxOcc	Level	Name	
	0220	<b>SG5</b>	R	1	2	<b>MATERIAL CONTACT</b>	
	0240	12	<b>COM</b>	O	1	3	<b>TELEFAX</b>

Standard			Implementation	
Tag	Name	St Format	St Format	Usage / Remark
COM				
C076	Communication contact	M	M	
3148	Communication number	M an..512	M an..512	
3155	Communication number code qualifier	M an..3	M an..3	<b>FX Telefax</b>

**Remark:**

**Example:**

COM+0100202:FX'

No = Consecutive segment number  
 MaxOcc = Maximum occurrence of the segment/group  
 Counter = Counter of segment/group within the standard

St = Status  
 EDIFACT: M=Mandatory, C=Conditional  
 User specific: R=Required, O=Optional, D=Dependent,  
 A=Advised, N=Not used

Counter	No	Tag	St	MaxOcc	Level	Name	
	0220	<b>SG5</b>	R	1	2	<b>MATERIAL CONTACT</b>	
	0240	13	<b>COM</b>	O	1	3	<b>TELEPHONE</b>

Standard			Implementation	
Tag	Name	St Format	St Format	Usage / Remark
COM				
C076	Communication contact	M	M	
3148	Communication number	M an..512	M an..512	
3155	Communication number code qualifier	M an..3	M an..3	<b>TE Telephone</b>

**Remark:****Example:**

COM+00100101:TE'

No = Consecutive segment number  
 MaxOcc = Maximum occurrence of the segment/group  
 Counter = Counter of segment/group within the standard

St = Status  
 EDIFACT: M=Mandatory, C=Conditional  
 User specific: R=Required, O=Optional, D=Dependent,  
 A=Advised, N=Not used

Counter	No	Tag	St	MaxOcc	Level	Name
	0120	<b>SG2</b>	R	1	1	<b>SUPPLIER DETAILS</b>
	0130	14	<b>NAD</b>	M	1	<b>Name and address</b>

Standard			Implementation	
Tag	Name	St Format	St Format	Usage / Remark
NAD				
3035	Party function code qualifier	M an..3	M an..3	<b>SU Supplier</b>
C082	Party identification details	C	R	
3039	Party identifier	M an..35	M an..35	Supplier ID
1131	Code list identification code	C an..3	N	Not used
3055	Code list responsible agency code	C an..3	N	Not used
C058	Name and address	C	N	
3124	Name and address description	M an..35	N	Not used
3124	Name and address description	C an..35	N	Not used
3124	Name and address description	C an..35	N	Not used
3124	Name and address description	C an..35	N	Not used
3124	Name and address description	C an..35	N	Not used
C080	Party name	C	N	
3036	Party name	M an..35	N	Not used
3036	Party name	C an..35	N	Not used
3036	Party name	C an..35	N	Not used
3036	Party name	C an..35	N	Not used
3036	Party name	C an..35	N	Not used
3045	Party name format code	C an..3	N	Not used
C059	Street	C	N	
3042	Street and number or post office box identifier	M an..35	N	Not used
3042	Street and number or post office box identifier	C an..35	N	Not used
3042	Street and number or post office box identifier	C an..35	N	Not used
3042	Street and number or post office box identifier	C an..35	N	Not used
3164	City name	C an..35	N	Not used
C819	Country sub-entity details	C	N	
3229	Country sub-entity name code	C an..9	N	Not used
1131	Code list identification code	C an..3	N	Not used
3055	Code list responsible agency code	C an..3	N	Not used
3228	Country sub-entity name	C an..35	N	Not used
3251	Postal identification code	C an..17	N	Not used
3207	Country name code	C an..3	N	Not used

**Remark:**

**Example:**

NAD+SU+400001'

No = Consecutive segment number  
 MaxOcc = Maximum occurrence of the segment/group  
 Counter = Counter of segment/group within the standard

St = Status  
 EDIFACT: M=Mandatory, C=Conditional  
 User specific: R=Required, O=Optional, D=Dependent,  
 A=Advised, N=Not used



Counter	No	Tag	St	MaxOcc	Level	Name
	0220	<b>SG5</b>	O	1	2	<b>SUPPLIER CONTACT</b>
	0230	15 <b>CTA</b>	M	1	2	<b>Contact information</b>

Standard			Implementation	
Tag	Name	St Format	St Format	Usage / Remark
CTA				
3139	Contact function code	C an..3	R an..3	<b>SU Supplier contact</b>
C056	Department or employee details	C	O	
3413	Department or employee name code	C an..17	N	Not used
3412	Department or employee name	C an..35	O an..35	

**Remark:**

**Example:**

CTA+SU+:Mr Mustermann'

No = Consecutive segment number  
 MaxOcc = Maximum occurrence of the segment/group  
 Counter = Counter of segment/group within the standard

St = Status  
 EDIFACT: M=Mandatory, C=Conditional  
 User specific: R=Required, O=Optional, D=Dependent,  
 A=Advised, N=Not used

Counter	No	Tag	St	MaxOcc	Level	Name	
	0220	<b>SG5</b>	O	1	2	<b>SUPPLIER CONTACT</b>	
	0240	16	<b>COM</b>	O	1	3	<b>MAIL</b>

Standard			Implementation	
Tag	Name	St Format	St Format	Usage / Remark
COM				
C076	Communication contact	M	M	
3148	Communication number	M an..512	M an..512	
3155	Communication number code qualifier	M an..3	M an..3	<b>EM Electronic mail</b>

**Remark:**

**Example:**

COM+otto.mustermann@supplier.example:EM'

No = Consecutive segment number  
 MaxOcc = Maximum occurrence of the segment/group  
 Counter = Counter of segment/group within the standard

St = Status  
 EDIFACT: M=Mandatory, C=Conditional  
 User specific: R=Required, O=Optional, D=Dependent,  
 A=Advised, N=Not used

Counter	No	Tag	St	MaxOcc	Level	Name	
	0220	<b>SG5</b>	O	1	2	<b>SUPPLIER CONTACT</b>	
	0240	17	<b>COM</b>	O	1	3	<b>TELEFAX</b>

Standard			Implementation	
Tag	Name	St Format	St Format	Usage / Remark
COM				
C076	Communication contact	M	M	
3148	Communication number	M an..512	M an..512	
3155	Communication number code qualifier	M an..3	M an..3	<b>FX Telefax</b>

**Remark:**

**Example:**

COM+0100202:FX'

No = Consecutive segment number  
 MaxOcc = Maximum occurrence of the segment/group  
 Counter = Counter of segment/group within the standard

St = Status  
 EDIFACT: M=Mandatory, C=Conditional  
 User specific: R=Required, O=Optional, D=Dependent,  
 A=Advised, N=Not used

Counter	No	Tag	St	MaxOcc	Level	Name	
	0220	<b>SG5</b>	O	1	2	<b>SUPPLIER CONTACT</b>	
	0240	18	<b>COM</b>	O	1	3	<b>TELEPHONE</b>

Standard			Implementation	
Tag	Name	St Format	St Format	Usage / Remark
COM				
C076	Communication contact	M	M	
3148	Communication number	M an..512	M an..512	
3155	Communication number code qualifier	M an..3	M an..3	<b>TE Telephone</b>

**Remark:**

**Example:**

COM+00100101:TE'

No = Consecutive segment number  
 MaxOcc = Maximum occurrence of the segment/group  
 Counter = Counter of segment/group within the standard

St = Status  
 EDIFACT: M=Mandatory, C=Conditional  
 User specific: R=Required, O=Optional, D=Dependent,  
 A=Advised, N=Not used

Counter	No	Tag	St	MaxOcc	Level	Name	
	0120	<b>SG2</b>	R	1	1	<b>CONSIGNEE DETAILS</b>	
	0130	19	<b>NAD</b>	M	1	1	<b>Name and address</b>

Standard			Implementation	
Tag	Name	St Format	St Format	Usage / Remark
NAD				
3035	Party function code qualifier	M an..3	M an..3	<b>CN Consignee</b>
C082	Party identification details	C	R	
3039	Party identifier	M an..35	M an..35	Supplier ID
1131	Code list identification code	C an..3	N	Not used
3055	Code list responsible agency code	C an..3	N	Not used
C058	Name and address	C	R	
3124	Name and address description	M an..35	M an..35	
3124	Name and address description	C an..35	O an..35	
3124	Name and address description	C an..35	N	Not used
3124	Name and address description	C an..35	N	Not used
3124	Name and address description	C an..35	N	Not used
C080	Party name	C	N	
3036	Party name	M an..35	N	Not used
3036	Party name	C an..35	N	Not used
3036	Party name	C an..35	N	Not used
3036	Party name	C an..35	N	Not used
3036	Party name	C an..35	N	Not used
3045	Party name format code	C an..3	N	Not used
C059	Street	C	R	
3042	Street and number or post office box identifier	M an..35	M an..35	
3042	Street and number or post office box identifier	C an..35	N	Not used
3042	Street and number or post office box identifier	C an..35	N	Not used
3042	Street and number or post office box identifier	C an..35	N	Not used
3164	City name	C an..35	R an..35	
C819	Country sub-entity details	C	N	
3229	Country sub-entity name code	C an..9	N	Not used
1131	Code list identification code	C an..3	N	Not used
3055	Code list responsible agency code	C an..3	N	Not used
3228	Country sub-entity name	C an..35	N	Not used
3251	Postal identification code	C an..17	R an..17	
3207	Country name code	C an..3	R an..3	<b>DE GERMANY</b> Further codes can be used.

**Remark:****Example:**

NAD+CN+0015+BENTELER:WERK 15++Street 1+City++310001+DE'

No = Consecutive segment number  
 MaxOcc = Maximum occurrence of the segment/group  
 Counter = Counter of segment/group within the standard

St = Status  
 EDIFACT: M=Mandatory, C=Conditional  
 User specific: R=Required, O=Optional, D=Dependent,  
 A=Advised, N=Not used

Counter	No	Tag	St	MaxOcc	Level	Name
0120		<b>SG2</b>	R	1	1	CONSIGNEE DETAILS
0140	20	<b>LOC</b>	R	1	2	PLACE OF DISCHARGE

		Standard	Implementation	
Tag	Name	St Format	St Format	Usage / Remark
LOC				
3227	Location function code qualifier	M an..3	M an..3	<b>11 Place/port of discharge</b>
C517	Location identification	C	R	
3225	Location name code	C an..25	R an..25	
1131	Code list identification code	C an..3	N	Not used
3055	Code list responsible agency code	C an..3	N	Not used
3224	Location name	C an..256	N	Not used
C519	Related location one identification	C	N	
3223	First related location name code	C an..25	N	Not used
1131	Code list identification code	C an..3	N	Not used
3055	Code list responsible agency code	C an..3	N	Not used
3222	First related location name	C an..70	N	Not used
C553	Related location two identification	C	N	
3233	Second related location name code	C an..25	N	Not used
1131	Code list identification code	C an..3	N	Not used
3055	Code list responsible agency code	C an..3	N	Not used
3232	Second related location name	C an..70	N	Not used
5479	Relation code	C an..3	N	Not used

**Remark:****Example:**

LOC+11+WE'

No = Consecutive segment number  
 MaxOcc = Maximum occurrence of the segment/group  
 Counter = Counter of segment/group within the standard

St = Status  
 EDIFACT: M=Mandatory, C=Conditional  
 User specific: R=Required, O=Optional, D=Dependent,  
 A=Advised, N=Not used

Counter	No	Tag	St	MaxOcc	Level	Name
	0220	<b>SG5</b>	O	1	2	CONSIGNEE CONTACT
	0230	21 <b>CTA</b>	M	1	2	Contact information

Standard			Implementation	
Tag	Name	St Format	St Format	Usage / Remark
CTA				
3139	Contact function code	C an..3	R an..3	<b>BU Ultimate consignee</b>
C056	Department or employee details	C	O	
3413	Department or employee name code	C an..17	N	Not used
3412	Department or employee name	C an..35	O an..35	

**Remark:****Example:**

CTA+BU+:Mr Mustermann'

No = Consecutive segment number  
 MaxOcc = Maximum occurrence of the segment/group  
 Counter = Counter of segment/group within the standard

St = Status  
 EDIFACT: M=Mandatory, C=Conditional  
 User specific: R=Required, O=Optional, D=Dependent,  
 A=Advised, N=Not used

Counter	No	Tag	St	MaxOcc	Level	Name
	0220	<b>SG5</b>	O	1	2	CONSIGNEE CONTACT
	0240	22 <b>COM</b>	O	1	3	MAIL

Standard			Implementation	
Tag	Name	St Format	St Format	Usage / Remark
COM				
C076	Communication contact	M	M	
3148	Communication number	M an..512	M an..512	
3155	Communication number code qualifier	M an..3	M an..3	<b>EM Electronic mail</b>

**Remark:**

**Example:**

COM+otto.mustermann@supplier.example:EM'

No = Consecutive segment number  
 MaxOcc = Maximum occurrence of the segment/group  
 Counter = Counter of segment/group within the standard

St = Status  
 EDIFACT: M=Mandatory, C=Conditional  
 User specific: R=Required, O=Optional, D=Dependent,  
 A=Advised, N=Not used



Counter	No	Tag	St	MaxOcc	Level	Name	
	0220	<b>SG5</b>	O	1	2	CONSIGNEE CONTACT	
	0240	23	<b>COM</b>	O	1	3	TELEFAX

Standard			Implementation	
Tag	Name	St Format	St Format	Usage / Remark
COM				
C076	Communication contact	M	M	
3148	Communication number	M an..512	M an..512	
3155	Communication number code qualifier	M an..3	M an..3	<b>FX Telefax</b>

**Remark:****Example:**

COM+0100202:FX'

No = Consecutive segment number  
 MaxOcc = Maximum occurrence of the segment/group  
 Counter = Counter of segment/group within the standard

St = Status  
 EDIFACT: M=Mandatory, C=Conditional  
 User specific: R=Required, O=Optional, D=Dependent,  
 A=Advised, N=Not used

Counter	No	Tag	St	MaxOcc	Level	Name
	0220	<b>SG5</b>	O	1	2	CONSIGNEE CONTACT
	0240	24 <b>COM</b>	O	1	3	TELEPHONE

Standard			Implementation	
Tag	Name	St Format	St Format	Usage / Remark
COM				
C076	Communication contact	M	M	
3148	Communication number	M an..512	M an..512	
3155	Communication number code qualifier	M an..3	M an..3	<b>TE Telephone</b>

**Remark:**

**Example:**

COM+00100101:TE'

No = Consecutive segment number  
 MaxOcc = Maximum occurrence of the segment/group  
 Counter = Counter of segment/group within the standard

St = Status  
 EDIFACT: M=Mandatory, C=Conditional  
 User specific: R=Required, O=Optional, D=Dependent,  
 A=Advised, N=Not used

Counter	No	Tag	St	MaxOcc	Level	Name
0120		<b>SG2</b>	D	1	1	<b>THIRD PARTY DETAILS</b>
0130	25	<b>NAD</b>	M	1	1	<b>Name and address</b>

Standard			Implementation	
Tag	Name	St Format	St Format	Usage / Remark
NAD				
3035	Party function code qualifier	M an..3	M an..3	<b>COS Co-participant</b>
C082	Party identification details	C	R	
3039	Party identifier	M an..35	M an..35	Supplier ID
1131	Code list identification code	C an..3	N	Not used
3055	Code list responsible agency code	C an..3	N	Not used
C058	Name and address	C	N	
3124	Name and address description	M an..35	N	Not used
3124	Name and address description	C an..35	N	Not used
3124	Name and address description	C an..35	N	Not used
3124	Name and address description	C an..35	N	Not used
3124	Name and address description	C an..35	N	Not used
C080	Party name	C	N	
3036	Party name	M an..35	N	Not used
3036	Party name	C an..35	N	Not used
3036	Party name	C an..35	N	Not used
3036	Party name	C an..35	N	Not used
3036	Party name	C an..35	N	Not used
3045	Party name format code	C an..3	N	Not used
C059	Street	C	N	
3042	Street and number or post office box identifier	M an..35	N	Not used
3042	Street and number or post office box identifier	C an..35	N	Not used
3042	Street and number or post office box identifier	C an..35	N	Not used
3042	Street and number or post office box identifier	C an..35	N	Not used
3164	City name	C an..35	N	Not used
C819	Country sub-entity details	C	N	
3229	Country sub-entity name code	C an..9	N	Not used
1131	Code list identification code	C an..3	N	Not used
3055	Code list responsible agency code	C an..3	N	Not used
3228	Country sub-entity name	C an..35	N	Not used
3251	Postal identification code	C an..17	N	Not used
3207	Country name code	C an..3	N	Not used

**Remark:**

Will be used if Third party is involved.

**Example:**

NAD+COS+400002'

No = Consecutive segment number  
 MaxOcc = Maximum occurrence of the segment/group  
 Counter = Counter of segment/group within the standard

St = Status  
 EDIFACT: M=Mandatory, C=Conditional  
 User specific: R=Required, O=Optional, D=Dependent,  
 A=Advised, N=Not used

Counter	No	Tag	St	MaxOcc	Level	Name
1030		<b>SG28</b>	R	200000	1	<b>ORDER POSITION</b>
1040	26	<b>LIN</b>	M	1	1	<b>Line item</b>

Standard			Implementation	
Tag	Name	St Format	St Format	Usage / Remark
LIN				
1082	Line item identifier	C an..6	R an..6	Number of the position on the order
1229	Action request/notification description code	C an..3	R an..3	Type of the position Used codes concerning material handling: 990=normal, 991=addition, 992=consignment, 993=wage handling, 995=direct routing, 999=table of performance
C212	Item number identification	C	C	
7140	Item identifier	C an..35	R an..35	Vendor's (seller's) part number
7143	Item type identification code	C an..3	R an..3	<b>VP Vendor's (seller's) part number</b>
1131	Code list identification code	C an..3	N	Not used
3055	Code list responsible agency code	C an..3	N	Not used
C829	Sub-line information	C	N	
5495	Sub-line indicator code	C an..3	N	Not used
1082	Line item identifier	C an..6	N	Not used
1222	Configuration level number	C n..2	N	Not used
7083	Configuration operation code	C an..3	N	Not used

**Remark:**

**Example:**

LIN+1+990+6939-32393:VP'

No = Consecutive segment number  
 MaxOcc = Maximum occurrence of the segment/group  
 Counter = Counter of segment/group within the standard

St = Status  
 EDIFACT: M=Mandatory, C=Conditional  
 User specific: R=Required, O=Optional, D=Dependent,  
 A=Advised, N=Not used

Counter	No	Tag	St	MaxOcc	Level	Name
1030		<b>SG28</b>	R	200000	1	<b>ORDER POSITION</b>
1050	27	<b>PIA</b>	R	25	2	<b>Additional product id</b>

Standard			Implementation	
Tag	Name	St Format	St Format	Usage / Remark
PIA				
4347	Product identifier code qualifier	M an..3	M an..3	<b>1 Additional identification</b>
C212	Item number identification	M	M	
7140	Item identifier	C an..35	R an..35	Client's (buyer's) item number
7143	Item type identification code	C an..3	R an..3	<b>IN Buyer's item number</b>
1131	Code list identification code	C an..3	N	Not used
3055	Code list responsible agency code	C an..3	N	Not used
C212	Item number identification	C	N	
7140	Item identifier	C an..35	N	Not used
7143	Item type identification code	C an..3	N	Not used
1131	Code list identification code	C an..3	N	Not used
3055	Code list responsible agency code	C an..3	N	Not used
C212	Item number identification	C	N	
7140	Item identifier	C an..35	N	Not used
7143	Item type identification code	C an..3	N	Not used
1131	Code list identification code	C an..3	N	Not used
3055	Code list responsible agency code	C an..3	N	Not used
C212	Item number identification	C	N	
7140	Item identifier	C an..35	N	Not used
7143	Item type identification code	C an..3	N	Not used
1131	Code list identification code	C an..3	N	Not used
3055	Code list responsible agency code	C an..3	N	Not used

**Remark:**

**Example:**

PIA+1+37506013:IN'

No = Consecutive segment number  
 MaxOcc = Maximum occurrence of the segment/group  
 Counter = Counter of segment/group within the standard

St = Status  
 EDIFACT: M=Mandatory, C=Conditional  
 User specific: R=Required, O=Optional, D=Dependent,  
 A=Advised, N=Not used

Counter	No	Tag	St	MaxOcc	Level	Name
1030		<b>SG28</b>	R	200000	1	<b>ORDER POSITION</b>
1060	28	<b>IMD</b>	O	99	2	<b>Item description</b>

		Standard	Implementation	
Tag	Name	St Format	St Format	Usage / Remark
IMD				
7077	Description format code	C an..3	R an..3	<b>A Free-form long description</b>
C272	Item characteristic	C	N	
7081	Item characteristic code	C an..3	N	Not used
1131	Code list identification code	C an..3	N	Not used
3055	Code list responsible agency code	C an..3	N	Not used
C273	Item description	C	R	
7009	Item description code	C an..17	N	Not used
1131	Code list identification code	C an..3	N	Not used
3055	Code list responsible agency code	C an..3	N	Not used
7008	Item description	C an..256	R an..256	Item description to client's article
7008	Item description	C an..256	N	Not used
3453	Language name code	C an..3	N	Not used
7383	Surface or layer code	C an..3	N	Not used

**Remark:****Example:**

IMD+A++::: Schraube M5'

No = Consecutive segment number  
 MaxOcc = Maximum occurrence of the segment/group  
 Counter = Counter of segment/group within the standard

St = Status  
 EDIFACT: M=Mandatory, C=Conditional  
 User specific: R=Required, O=Optional, D=Dependent,  
 A=Advised, N=Not used

Counter	No	Tag	St	MaxOcc	Level	Name
	1030	<b>SG28</b>	R	200000	1	<b>ORDER POSITION</b>
	1080	29 <b>QTY</b>	R	1	2	<b>CUMULATIVE QUANTITY</b>

Standard			Implementation	
Tag	Name	St Format	St Format	Usage / Remark
QTY				
C186	Quantity details	M	M	
6063	Quantity type code qualifier	M an..3	M an..3	<b>78 Cumulative quantity scheduled</b>
6060	Quantity	M an..35	M an..35	Cumulative quantity
6411	Measurement unit code	C an..3	R an..3	<b>C62 one</b> <b>KGM kilogram</b> <b>LTR litre</b> <b>TNE tonne (metric ton)</b> Further codes can be used.

**Remark:**

**Example:**

QTY+78:2.000:C62'

No = Consecutive segment number  
 MaxOcc = Maximum occurrence of the segment/group  
 Counter = Counter of segment/group within the standard

St = Status  
 EDIFACT: M=Mandatory, C=Conditional  
 User specific: R=Required, O=Optional, D=Dependent,  
 A=Advised, N=Not used

Counter	No	Tag	St	MaxOcc	Level	Name
	1030	<b>SG28</b>	R	200000	1	ORDER POSITION
	1080	<b>QTY</b>	R	1	2	ORDERED QUANTITY

Standard			Implementation	
Tag	Name	St Format	St Format	Usage / Remark
QTY				
C186	Quantity details	M	M	
6063	Quantity type code qualifier	M an..3	M an..3	<b>21 Ordered quantity</b>
6060	Quantity	M an..35	M an..35	Ordered quantity
6411	Measurement unit code	C an..3	R an..3	<b>C62 one</b> <b>KGM kilogram</b> <b>LTR litre</b> <b>TNE tonne (metric ton)</b> Further codes can be used.

**Remark:**

**Example:**

QTY+21:2.000:C62'

No = Consecutive segment number  
 MaxOcc = Maximum occurrence of the segment/group  
 Counter = Counter of segment/group within the standard

St = Status  
 EDIFACT: M=Mandatory, C=Conditional  
 User specific: R=Required, O=Optional, D=Dependent,  
 A=Advised, N=Not used



Counter	No	Tag	St	MaxOcc	Level	Name
	1030	<b>SG28</b>	R	200000	1	ORDER POSITION
	1080	31 <b>QTY</b>	R	1	2	UNITS PER PRICE

Standard			Implementation	
Tag	Name	St Format	St Format	Usage / Remark
QTY				
C186	Quantity details	M	M	
6063	Quantity type code qualifier	M an..3	M an..3	<b>129 Units per unit price</b>
6060	Quantity	M an..35	M an..35	Units per price
6411	Measurement unit code	C an..3	R an..3	<b>C62 one</b> <b>KGM kilogram</b> <b>LTR litre</b> <b>TNE tonne (metric ton)</b> Further codes can be used.

**Remark:**

**Example:**

QTY+129:2.000:C62'

No = Consecutive segment number  
 MaxOcc = Maximum occurrence of the segment/group  
 Counter = Counter of segment/group within the standard

St = Status  
 EDIFACT: M=Mandatory, C=Conditional  
 User specific: R=Required, O=Optional, D=Dependent,  
 A=Advised, N=Not used

Counter	No	Tag	St	MaxOcc	Level	Name
1030		<b>SG28</b>	R	200000	1	ORDER POSITION
1110	32	<b>DTM</b>	R	1	2	GOODS RECEIPT DATE

Standard			Implementation	
Tag	Name	St Format	St Format	Usage / Remark
DTM				
C507	Date/time/period	M	M	
2005	Date or time or period function code qualifier	M an..3	M an..3	<b>50 Goods receipt date/time</b>
2380	Date or time or period value	C an..35	R an..35	Format CCYYMMDD
2379	Date or time or period format code	C an..3	R an..3	<b>102 CCYYMMDD</b>

**Remark:**

**Example:**

DTM+50:20220612:102'

No = Consecutive segment number  
 MaxOcc = Maximum occurrence of the segment/group  
 Counter = Counter of segment/group within the standard

St = Status  
 EDIFACT: M=Mandatory, C=Conditional  
 User specific: R=Required, O=Optional, D=Dependent,  
 A=Advised, N=Not used

Counter	No	Tag	St	MaxOcc	Level	Name
1030		<b>SG28</b>	R	200000	1	ORDER POSITION
1120	33	<b>MOA</b>	R	1	2	NET AMOUNT

Standard			Implementation	
Tag	Name	St Format	St Format	Usage / Remark
MOA				
C516	Monetary amount	M	M	
5025	Monetary amount type code qualifier	M an..3	M an..3	<b>499 Total net amount excluding Value Added Tax (VAT)</b>
5004	Monetary amount	C n..35	R n..35	Net amount
6345	Currency identification code	C an..3	N	Not used
6343	Currency type code qualifier	C an..3	N	Not used
4405	Status description code	C an..3	N	Not used

**Remark:**

**Example:**

MOA+499:79.99'

No = Consecutive segment number  
 MaxOcc = Maximum occurrence of the segment/group  
 Counter = Counter of segment/group within the standard

St = Status  
 EDIFACT: M=Mandatory, C=Conditional  
 User specific: R=Required, O=Optional, D=Dependent,  
 A=Advised, N=Not used

Counter	No	Tag	St	MaxOcc	Level	Name
1030		<b>SG28</b>	R	200000	1	<b>ORDER POSITION</b>
1190	34	<b>FTX</b>	O	99	2	<b>FREE POSITION TEXT</b>

		Standard	Implementation	
Tag	Name	St Format	St Format	Usage / Remark
FTX				
4451	Text subject code qualifier	M an..3	M an..3	<b>AAA Goods description</b>
4453	Free text function code	C an..3	N	Not used
C107	Text reference	C	N	
4441	Free text value code	M an..17	N	Not used
1131	Code list identification code	C an..3	N	Not used
3055	Code list responsible agency code	C an..3	N	Not used
C108	Text literal	C	R	
4440	Free text value	M an..512	M an..512	Free text to order position.
4440	Free text value	C an..512	N	Not used
4440	Free text value	C an..512	N	Not used
4440	Free text value	C an..512	N	Not used
4440	Free text value	C an..512	N	Not used
3453	Language name code	C an..3	O an..3	<b>DE German</b> Further codes can be used.
4447	Free text format code	C an..3	N	Not used

**Remark:****Example:**

FTX+AAA+++Position text+DE'

No = Consecutive segment number  
 MaxOcc = Maximum occurrence of the segment/group  
 Counter = Counter of segment/group within the standard

St = Status  
 EDIFACT: M=Mandatory, C=Conditional  
 User specific: R=Required, O=Optional, D=Dependent,  
 A=Advised, N=Not used

Counter	No	Tag	St	MaxOcc	Level	Name
1370		<b>SG33</b>	O	1	2	<b>BUYERS CONTRACT</b>
1380	35	<b>RFF</b>	M	1	2	<b>Reference</b>

Standard			Implementation	
Tag	Name	St Format	St Format	Usage / Remark
RFF				
C506	Reference	M	M	
1153	Reference function code qualifier	M an..3	M an..3	<b>BC Buyer's contract number</b>
1154	Reference identifier	C an..35	R an..35	Buyers contract number
1156	Document line identifier	C an..6	O an..6	Contract position
4000	Reference version identifier	C an..35	N	Not used
1060	Revision identifier	C an..6	N	Not used

**Remark:**

**Example:**

RFF+BC:502020:0010'

No = Consecutive segment number  
 MaxOcc = Maximum occurrence of the segment/group  
 Counter = Counter of segment/group within the standard

St = Status  
 EDIFACT: M=Mandatory, C=Conditional  
 User specific: R=Required, O=Optional, D=Dependent,  
 A=Advised, N=Not used

Counter	No	Tag	St	MaxOcc	Level	Name	
	1370	<b>SG33</b>	O	1	2	<b>BUYERS CONTRACT</b>	
	1390	36	<b>DTM</b>	O	1	3	<b>Date/time/period</b>

Standard			Implementation	
Tag	Name	St Format	St Format	Usage / Remark
DTM				
C507	Date/time/period	M	M	
2005	Date or time or period function code qualifier	M an..3	M an..3	<b>183 Date, as at</b>
2380	Date or time or period value	C an..35	R an..35	Format CCYYMMDDHHMMSS
2379	Date or time or period format code	C an..3	R an..3	<b>204 CCYYMMDDHHMMSS</b>

**Remark:**

**Example:**

DTM+183:20220609115933:204'

No = Consecutive segment number  
 MaxOcc = Maximum occurrence of the segment/group  
 Counter = Counter of segment/group within the standard

St = Status  
 EDIFACT: M=Mandatory, C=Conditional  
 User specific: R=Required, O=Optional, D=Dependent,  
 A=Advised, N=Not used

Counter	No	Tag	St	MaxOcc	Level	Name
1370		<b>SG33</b>	O	1	2	<b>ACCOUNT NUMBER</b>
1380	37	<b>RFF</b>	M	1	2	<b>Reference</b>

Standard			Implementation	
Tag	Name	St Format	St Format	Usage / Remark
RFF				
C506	Reference	M	M	
1153	Reference function code qualifier	M an..3	M an..3	<b>ADE Account number</b>
1154	Reference identifier	C an..35	R an..35	Buyers contract number
1156	Document line identifier	C an..6	N	Not used
4000	Reference version identifier	C an..35	N	Not used
1060	Revision identifier	C an..6	N	Not used

**Remark:**

**Example:**

RFF+ADE:899877'

No = Consecutive segment number  
 MaxOcc = Maximum occurrence of the segment/group  
 Counter = Counter of segment/group within the standard

St = Status  
 EDIFACT: M=Mandatory, C=Conditional  
 User specific: R=Required, O=Optional, D=Dependent,  
 A=Advised, N=Not used

Counter	No	Tag	St	MaxOcc	Level	Name
---------	----	-----	----	--------	-------	------

2320	38	<b>UNS</b>	M	1	0	Section control
------	----	------------	---	---	---	-----------------

Standard			Implementation	
Tag	Name	St Format	St Format	Usage / Remark
UNS				
0081	Section identification	M a1	M a1	<b>S Detail/summary section separation</b>

**Remark:**

**Example:**

UNS+S'

No = Consecutive segment number  
 MaxOcc = Maximum occurrence of the segment/group  
 Counter = Counter of segment/group within the standard

St = Status  
 EDIFACT: M=Mandatory, C=Conditional  
 User specific: R=Required, O=Optional, D=Dependent,  
 A=Advised, N=Not used



Counter	No	Tag	St	MaxOcc	Level	Name
2330	39	<b>MOA</b>	R	1	1	TOTAL ITEM AMOUNT

		Standard	Implementation		
Tag	Name	St Format	St Format	Usage / Remark	
MOA					
C516	Monetary amount	M	M		
5025	Monetary amount type code qualifier	M an..3	M an..3		<b>79 Total line items amount</b>
5004	Monetary amount	C n..35	R n..35		Total item amount
6345	Currency identification code	C an..3	R an..3		<b>EUR Euro</b> Further codes can be used.
6343	Currency type code qualifier	C an..3	N		Not used
4405	Status description code	C an..3	N		Not used

**Remark:**

**Example:**

MOA+79:79.99:EUR'

No = Consecutive segment number  
 MaxOcc = Maximum occurrence of the segment/group  
 Counter = Counter of segment/group within the standard

St = Status  
 EDIFACT: M=Mandatory, C=Conditional  
 User specific: R=Required, O=Optional, D=Dependent,  
 A=Advised, N=Not used

Counter	No	Tag	St	MaxOcc	Level	Name
2390	40	<b>UNT</b>	M	1	0	Message trailer

Standard			Implementation	
Tag	Name	St Format	St Format	Usage / Remark
UNT				
0074	Number of segments in the message	M n..6	M n..6	
0062	Message reference number	M an..14	M an..14	

**Remark:**

**Example:**

UNT+38+1'

No = Consecutive segment number  
 MaxOcc = Maximum occurrence of the segment/group  
 Counter = Counter of segment/group within the standard

St = Status  
 EDIFACT: M=Mandatory, C=Conditional  
 User specific: R=Required, O=Optional, D=Dependent,  
 A=Advised, N=Not used

Counter	No	Tag	St	MaxOcc	Level	Name
0000	41	<b>UNZ</b>	M	1	0	Interchange trailer

Standard			Implementation	
Tag	Name	St Format	St Format	Usage / Remark
UNZ				
0036	Interchange control count	M n..6	M n..6	
0020	Interchange control reference	M an..14	M an..14	

**Remark:**

**Example:**  
UNZ+1+29'

No = Consecutive segment number  
 MaxOcc = Maximum occurrence of the segment/group  
 Counter = Counter of segment/group within the standard

St = Status  
 EDIFACT: M=Mandatory, C=Conditional  
 User specific: R=Required, O=Optional, D=Dependent,  
 A=Advised, N=Not used