



Message Implementation Guideline

EDIFACT ORDERSP D.00A

based on

ORDRSP

Purchase order response message

UN D.00A S4

Version: 1
Variant: 1
Issue date: 29.09.2014
Author: Benteler Deutschland

1 Message Structure.....	2
2 Branching Diagram	3
3 Segments.....	7

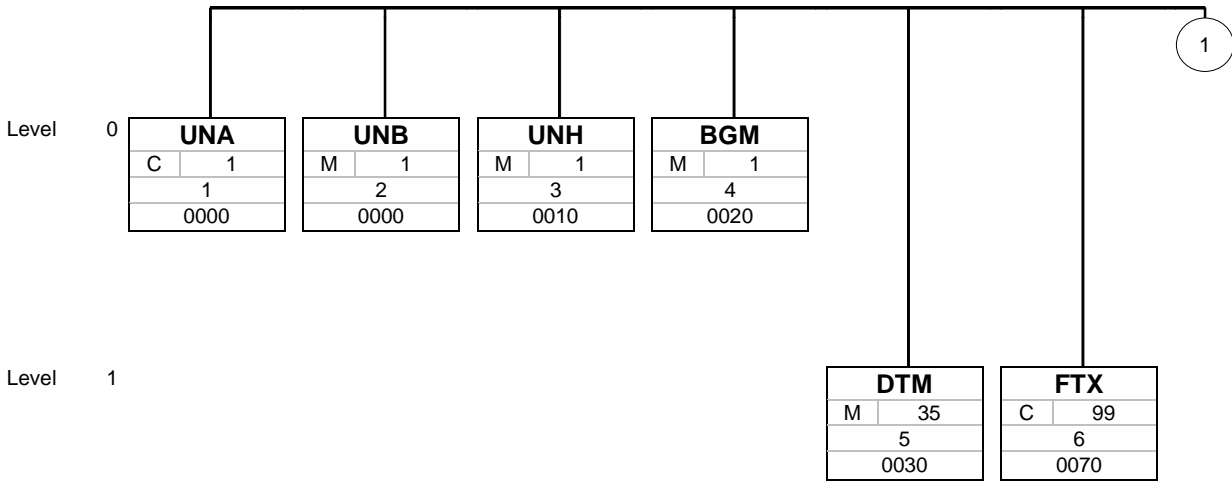
Structure / Table of Contents

Counter	No	Tag	St	MaxOcc	Level	Content
0000	1	UNA	C	1	0	Service string advice
0000	2	UNB	M	1	0	Interchange header
0010	3	UNH	M	1	0	Message header
0020	4	BGM	M	1	0	Beginning of message
0030	5	DTM	M	35	1	Date/time/period
0070	6	FTX	C	99	1	Free text
0090		SG1	C	9999	1	RFF-DTM
0100	7	RFF	M	1	1	Reference
0110	8	DTM	C	5	2	Date/time/period
0150		SG3	C	99	1	NAD-LOC-SG6
0160	9	NAD	M	1	1	Name and address
0170	10	LOC	C	25	2	Place/location identification
0250		SG6	C	5	2	CTA-COM
0260	11	CTA	M	1	2	Contact information
0270	12	COM	C	5	3	Communication contact
0970		SG26	C	200000	1	LIN-PIA-IMD-MOA-FTX-SG28-SG30-SG31-SG51
0980	13	LIN	M	1	1	Line item
0990	14	PIA	C	25	2	Additional product id
1000	15	IMD	C	99	2	Item description
1060	16	MOA	C	10	2	Monetary amount
1130	17	FTX	C	99	2	Free text
1180		SG28	C	10	2	PAT
1190	18	PAT	M	1	2	Payment terms basis
1260		SG30	C	25	2	PRI-CUX
1270	19	PRI	M	1	2	Price details
1280	20	CUX	C	1	3	Currencies
1320		SG31	C	9999	2	RFF
1330	21	RFF	M	1	2	Reference
2020		SG51	C	100	2	SCC-SG52
2030	22	SCC	M	1	2	Scheduling conditions
2060		SG52	C	10	3	QTY-DTM
2070	23	QTY	M	1	3	Quantity
2080	24	DTM	C	5	4	Date/time/period
2190	25	UNS	M	1	0	Section control
2200	26	MOA	C	12	1	Monetary amount
2260	27	UNT	M	1	0	Message trailer
0000	28	UNZ	M	1	0	Interchange trailer

Counter = Counter of segment/group within the standard
 No = Consecutive segment number
 MaxOcc = Maximum occurrence of the segment/group

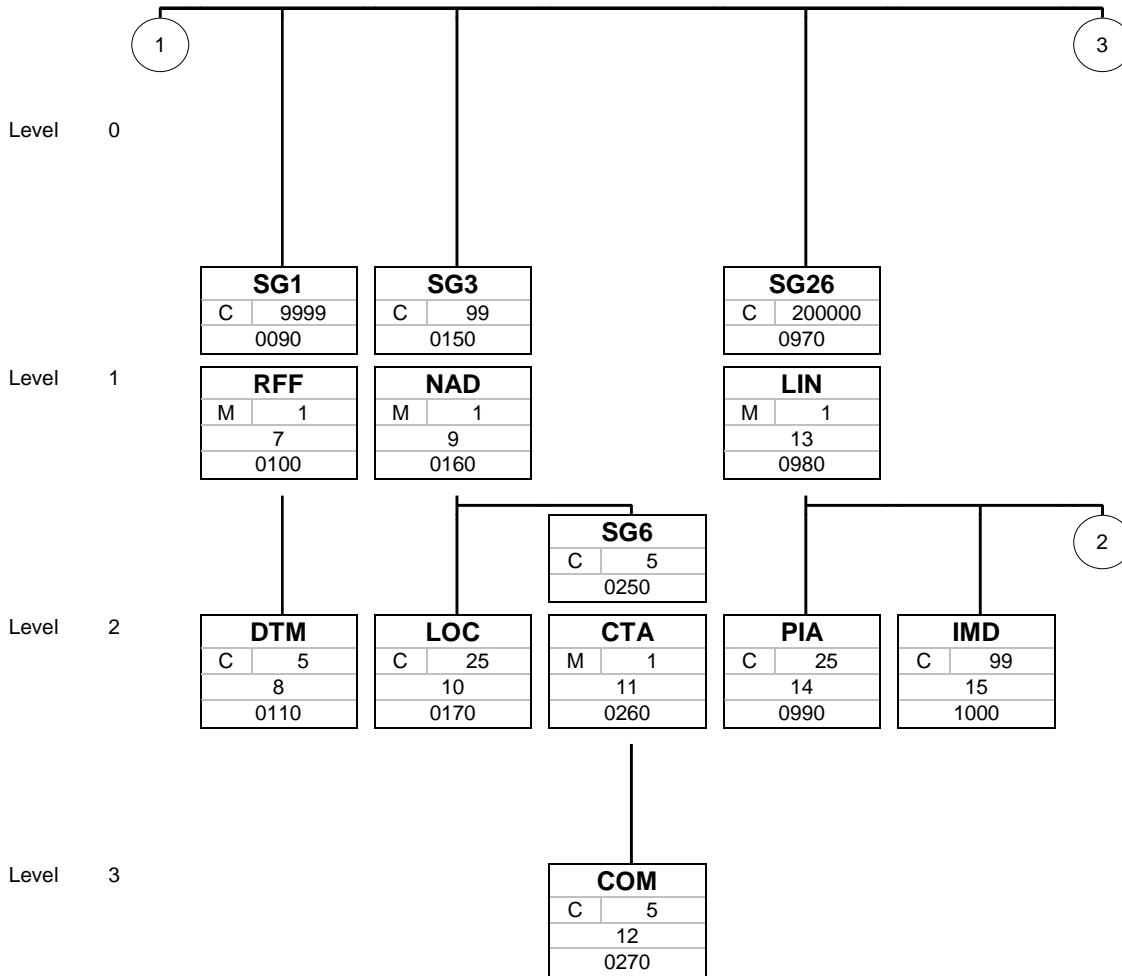
St = Status
 EDIFACT: M=Mandatory, C=Conditional
 User specific: R=Required, O=Optional, D=Dependent,
 A=Advised, N=Not used

Branching Diagram of Used Segments/Groups



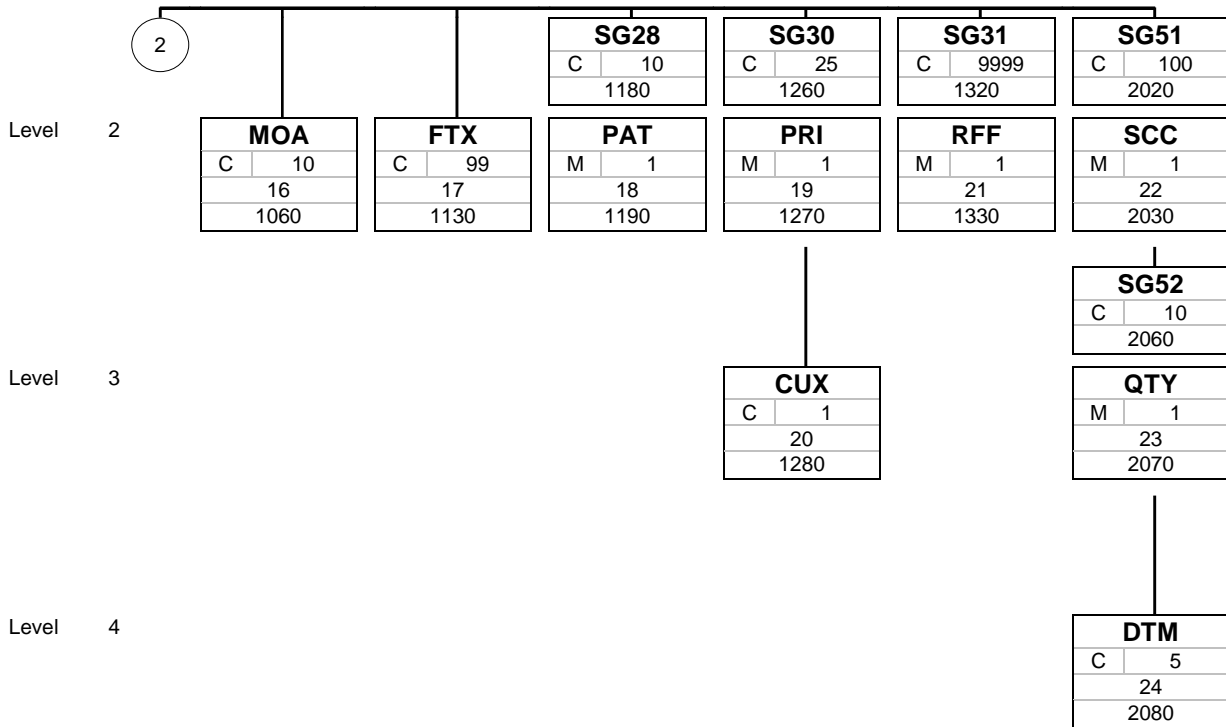
Tag
St MaxOcc
No
Counter

Tag = Segment/Group Tag
 St = Status (M=Mandatory, C=Conditional, R=Required, O=Optional, A=Advised, D=Dependent)
 MaxOcc = Maximum occurrence of the segment/group
 No = Consecutive segment number
 Counter = Counter of segment/group within the standard



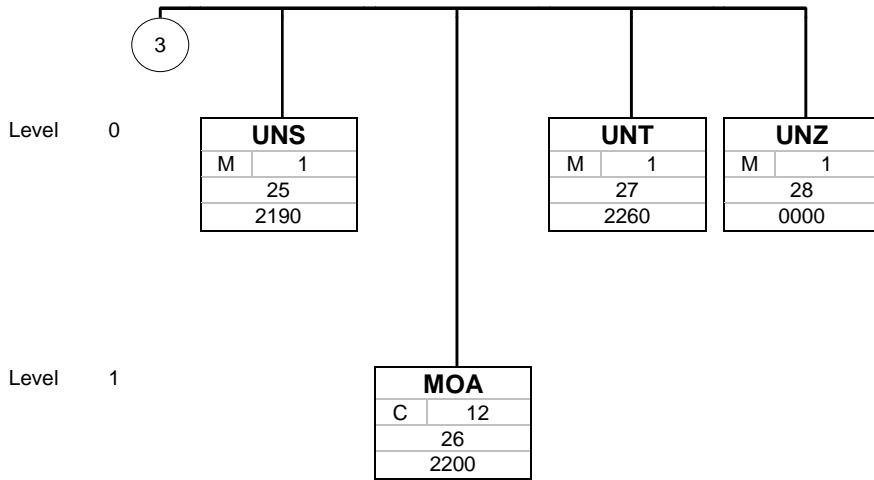
Tag
St MaxOcc
No
Counter

Tag = Segment/Group Tag
 St = Status (M=Mandatory, C=Conditional, R=Required, O=Optional, A=Advised, D=Dependent)
 MaxOcc = Maximum occurrence of the segment/group
 No = Consecutive segment number
 Counter = Counter of segment/group within the standard



Tag
St MaxOcc
No
Counter

Tag = Segment/Group Tag
 St = Status (M=Mandatory, C=Conditional, R=Required, O=Optional, A=Advised, D=Dependent)
 MaxOcc = Maximum occurrence of the segment/group
 No = Consecutive segment number
 Counter = Counter of segment/group within the standard



Tag
St MaxOcc
No
Counter

Tag = Segment/Group Tag
 St = Status (M=Mandatory, C=Conditional, R=Required, O=Optional, A=Advised, D=Dependent)
 MaxOcc = Maximum occurrence of the segment/group
 No = Consecutive segment number
 Counter = Counter of segment/group within the standard

Segments

Counter	No	Tag	St	MaxOcc	Level	Name
0000	1	UNA	C	1	0	Service string advice

Standard			Implementation	
Tag	Name	St Format	St Format	Usage / Remark
UNA				
UNA1	Component data element separator	M an1	M an1	
UNA2	Data element separator	M an1	M an1	
UNA3	Decimal mark	M an1	M an1	
UNA4	Release indicator	M an1	M an1	
UNA5	Repetition separator	M an1	M an1	
UNA6	Segment terminator	M an1	M an1	

Remark:

Example:

UNA: + . ? * '

No = Consecutive segment number
 MaxOcc = Maximum occurrence of the segment/group
 Counter = Counter of segment/group within the standard

St = Status
 EDIFACT: M=Mandatory, C=Conditional
 User specific: R=Required, O=Optional, D=Dependent,
 A=Advised, N=Not used

Counter	No	Tag	St	MaxOcc	Level	Name
---------	----	-----	----	--------	-------	------

0000 2 **UNB** M 1 0 Interchange header

Standard			Implementation	
Tag	Name	St Format	St Format	Usage / Remark
UNB				
S001	Syntax identifier	M	M	
0001	Syntax identifier	M a4	M a4	UNOC UN/ECE level C
0002	Syntax version number	M an1	M an1	4 Version 4
0080	Service code list directory version number	C an..6	N	Not used
0133	Character encoding, coded	C an..3	N	Not used
S002	Interchange sender	M	M	
0004	Interchange sender identification	M an..35	M an..35	
0007	Identification code qualifier	C an..4	C an..4	59 ODETTE (Organization for Data Exchange through Tele-Transmission in Europe)
0008	Interchange sender internal identification	C an..35	N	Not used
0042	Interchange sender internal sub-identification	C an..35	N	Not used
S003	Interchange recipient	M	M	
0010	Interchange recipient identification	M an..35	M an..35	
0007	Identification code qualifier	C an..4	C an..4	59 ODETTE (Organization for Data Exchange through Tele-Transmission in Europe)
0014	Interchange recipient internal identification	C an..35	N	Not used
0046	Interchange recipient internal sub-identification	C an..35	N	Not used
S004	Date and time of preparation	M	M	
0017	Date	M n8	M n8	
0019	Time	M n4	M n4	
0020	Interchange control reference	M an..14	M an..14	
S005	Recipient reference/password details	C	N	
0022	Recipient reference/password	M an..14	N	Not used
0025	Recipient reference/password qualifier	C an2	N	Not used
0026	Application reference	C an..14	C an..14	
0029	Processing priority code	C a1	N	Not used
0031	Acknowledgement request	C n1	N	Not used
0032	Interchange agreement identifier	C an..35	N	Not used
0035	Test indicator	C n1	N	Not used

Remark:

Example:

UNB+UNOC:4+00013000426SCHA:59+00013000409BENTELERXXX001:59+20140901:0952+000004315++ORDRSP'

No = Consecutive segment number
 MaxOcc = Maximum occurrence of the segment/group
 Counter = Counter of segment/group within the standard

St = Status
 EDIFACT: M=Mandatory, C=Conditional
 User specific: R=Required, O=Optional, D=Dependent,
 A=Advised, N=Not used

Counter	No	Tag	St	MaxOcc	Level	Name
---------	----	-----	----	--------	-------	------

0010 3 **UNH** M 1 0 **Message header**

Standard			Implementation	
Tag	Name	St Format	St Format	Usage / Remark
UNH				
0062	Message reference number	M an..14	M an..14	
S009	Message identifier	M	M	
0065	Message type	M an..6	M an..6	ORDRSP Purchase order response message
0052	Message version number	M an..3	M an..3	D Draft version/UN/EDIFACT Directory
0054	Message release number	M an..3	M an..3	00A Release 2000 - A
0051	Controlling agency, coded	M an..3	M an..3	UN UN/CEFACT
0057	Association assigned code	C an..6	N	Not used
0110	Code list directory version number	C an..6	N	Not used
0113	Message type sub-function identification	C an..6	N	Not used
0068	Common access reference	C an..35	N	Not used
S010	Status of the transfer	C	N	
0070	Sequence of transfers	M n..2	N	Not used
0073	First and last transfer	C a1	N	Not used
S016	Message subset identification	C	N	
0115	Message subset identification	M an..14	N	Not used
0116	Message subset version number	C an..3	N	Not used
0118	Message subset release number	C an..3	N	Not used
0051	Controlling agency, coded	C an..3	N	Not used
S017	Message implementation guideline identification	C	N	
0121	Message implementation guideline identification	M an..14	N	Not used
0122	Message implementation guideline version number	C an..3	N	Not used
0124	Message implementation guideline release number	C an..3	N	Not used
0051	Controlling agency, coded	C an..3	N	Not used
S018	Scenario identification	C	N	
0127	Scenario identification	M an..14	N	Not used
0128	Scenario version number	C an..3	N	Not used
0130	Scenario release number	C an..3	N	Not used
0051	Controlling agency, coded	C an..3	N	Not used

Remark:

Example:

UNH+1+ORDRSP:D:00A:UN'

No = Consecutive segment number
 MaxOcc = Maximum occurrence of the segment/group
 Counter = Counter of segment/group within the standard

St = Status
 EDIFACT: M=Mandatory, C=Conditional
 User specific: R=Required, O=Optional, D=Dependent,
 A=Advised, N=Not used

Counter	No	Tag	St	MaxOcc	Level	Name
0020	4	BGM	M	1	0	Beginning of message

Standard			Implementation	
Tag	Name	St Format	St Format	Usage / Remark
BGM				
C002	Document/message name	C	C	
1001	Document name code	C an..3	C an..3	231 Purchase order response
1131	Code list identification code	C an..3	N	Not used
3055	Code list responsible agency code	C an..3	N	Not used
1000	Document name	C an..35	N	Not used
C106	Document/message identification	C	C	
1004	Document identifier	C an..35	C an..35	
1056	Version identifier	C an..9	N	Not used
1060	Revision identifier	C an..6	N	Not used
1225	Message function code	C an..3	N	Not used
4343	Response type code	C an..3	N	Not used

Remark:**Example:**

BGM+231+0013867918-B320-B101N'

No = Consecutive segment number
 MaxOcc = Maximum occurrence of the segment/group
 Counter = Counter of segment/group within the standard

St = Status
 EDIFACT: M=Mandatory, C=Conditional
 User specific: R=Required, O=Optional, D=Dependent,
 A=Advised, N=Not used

Counter	No	Tag	St	MaxOcc	Level	Name
---------	----	-----	----	--------	-------	------

0030	5	DTM	M	35	1	Date/time/period
------	---	------------	---	----	---	------------------

Standard			Implementation	
Tag	Name	St Format	St Format	Usage / Remark
DTM				
C507	Date/time/period	M	M	
2005	Date or time or period function code qualifier	M an..3	M an..3	2 Delivery date/time, requested
2380	Date or time or period value	C an..35	C an..35	137 Document/message date/time
2379	Date or time or period format code	C an..3	C an..3	102 CCYYMMDD

Remark:

Example:

DTM+137:20140107:102'

No = Consecutive segment number
 MaxOcc = Maximum occurrence of the segment/group
 Counter = Counter of segment/group within the standard

St = Status
 EDIFACT: M=Mandatory, C=Conditional
 User specific: R=Required, O=Optional, D=Dependent,
 A=Advised, N=Not used

Counter	No	Tag	St	MaxOcc	Level	Name
0070	6	FTX	C	99	1	Free text

Standard			Implementation	
Tag	Name	St Format	St Format	Usage / Remark
FTX				
4451	Text subject code qualifier	M an..3	M an..3	AAI General information
4453	Free text function code	C an..3	N	Not used
C107	Text reference	C	N	
4441	Free text value code	M an..17	N	Not used
1131	Code list identification code	C an..3	N	Not used
3055	Code list responsible agency code	C an..3	N	Not used
C108	Text literal	C	C	
4440	Free text value	M an..512	M an..512	
4440	Free text value	C an..512	N	Not used
4440	Free text value	C an..512	N	Not used
4440	Free text value	C an..512	N	Not used
4440	Free text value	C an..512	N	Not used
3453	Language name code	C an..3	C an..3	DE German Further codes can be used.
4447	Free text format code	C an..3	N	Not used

Remark:**Example:**

FTX+AAI+++<Allgemeine Informationen / Generelle Informationen>+DE'

No = Consecutive segment number
 MaxOcc = Maximum occurrence of the segment/group
 Counter = Counter of segment/group within the standard

St = Status
 EDIFACT: M=Mandatory, C=Conditional
 User specific: R=Required, O=Optional, D=Dependent,
 A=Advised, N=Not used

Counter	No	Tag	St	MaxOcc	Level	Name
	0090	SG1	C	9999	1	RFF-DTM
	0100	7 RFF	M	1	1	Reference

Standard			Implementation	
Tag	Name	St Format	St Format	Usage / Remark
RFF				
C506	Reference	M	M	
1153	Reference function code qualifier	M an..3	M an..3	ON Order number (purchase)
1154	Reference identifier	C an..35	C an..35	
1156	Document line identifier	C an..6	N	Not used
4000	Reference version identifier	C an..35	N	Not used
1060	Revision identifier	C an..6	N	Not used

Remark:

Example:

RFF+ON:0071283565'

No = Consecutive segment number
 MaxOcc = Maximum occurrence of the segment/group
 Counter = Counter of segment/group within the standard

St = Status
 EDIFACT: M=Mandatory, C=Conditional
 User specific: R=Required, O=Optional, D=Dependent,
 A=Advised, N=Not used

Counter	No	Tag	St	MaxOcc	Level	Name
	0090	SG1	C	9999	1	RFF-DTM
	0110	8 DTM	C	5	2	Date/time/period

Standard			Implementation	
Tag	Name	St Format	St Format	Usage / Remark
DTM				
C507	Date/time/period	M	M	
2005	Date or time or period function code qualifier	M an..3	M an..3	4 Order date/time
2380	Date or time or period value	C an..35	C an..35	
2379	Date or time or period format code	C an..3	C an..3	204 CCYYMMDDHHMMSS

Remark:

Example:

DTM+4:20140106111544:204'

No = Consecutive segment number
 MaxOcc = Maximum occurrence of the segment/group
 Counter = Counter of segment/group within the standard

St = Status
 EDIFACT: M=Mandatory, C=Conditional
 User specific: R=Required, O=Optional, D=Dependent,
 A=Advised, N=Not used

Counter	No	Tag	St	MaxOcc	Level	Name
0150		SG3	C	99	1	NAD-LOC-SG6
0160	9	NAD	M	1	1	Name and address

Standard			Implementation	
Tag	Name	St Format	St Format	Usage / Remark
NAD				
3035	Party function code qualifier	M an..3	M an..3	BY Buyer CN Consignee SU Supplier
C082	Party identification details	C	C	
3039	Party identifier	M an..35	M an..35	
1131	Code list identification code	C an..3	N	Not used
3055	Code list responsible agency code	C an..3	N	Not used
C058	Name and address	C	C	
3124	Name and address description	M an..35	M an..35	
3124	Name and address description	C an..35	N	Not used
3124	Name and address description	C an..35	N	Not used
3124	Name and address description	C an..35	N	Not used
3124	Name and address description	C an..35	N	Not used
C080	Party name	C	N	
3036	Party name	M an..35	N	Not used
3036	Party name	C an..35	N	Not used
3036	Party name	C an..35	N	Not used
3036	Party name	C an..35	N	Not used
3036	Party name	C an..35	N	Not used
3045	Party name format code	C an..3	N	Not used
C059	Street	C	C	
3042	Street and number or post office box identifier	M an..35	M an..35	
3042	Street and number or post office box identifier	C an..35	N	Not used
3042	Street and number or post office box identifier	C an..35	N	Not used
3042	Street and number or post office box identifier	C an..35	N	Not used
3164	City name	C an..35	C an..35	
C819	Country sub-entity details	C	C	
3229	Country sub-entity name code	C an..9	N	Not used
1131	Code list identification code	C an..3	N	Not used
3055	Code list responsible agency code	C an..3	N	Not used
3228	Country sub-entity name	C an..35	C an..35	
3251	Postal identification code	C an..17	C an..17	
3207	Country name code	C an..3	C an..3	DE GERMANY Further codes can be used.

Remark:**Example:**

NAD+BY+1600981+Benteler Maschinenbau GmbH++Frachtstr. 10-16+Bielefeld+:::05+33602+DE'

No = Consecutive segment number
MaxOcc = Maximum occurrence of the segment/group
Counter = Counter of segment/group within the standard

St = Status
EDIFACT: M=Mandatory, C=Conditional
User specific: R=Required, O=Optional, D=Dependent,
A=Advised, N=Not used

Counter	No	Tag	St	MaxOcc	Level	Name
0150		SG3	C	99	1	NAD-LOC-SG6
0170	10	LOC	C	25	2	Place/location identification

		Standard		Implementation		
Tag	Name	St	Format	St	Format	Usage / Remark
LOC						
3227	Location function code qualifier	M	an..3	M	an..3	7 Place of delivery
C517	Location identification	C		C		
3225	Location name code	C	an..25	C	an..25	
1131	Code list identification code	C	an..3	N		Not used
3055	Code list responsible agency code	C	an..3	N		Not used
3224	Location name	C	an..256	N		Not used
C519	Related location one identification	C		N		
3223	First related location name code	C	an..25	N		Not used
1131	Code list identification code	C	an..3	N		Not used
3055	Code list responsible agency code	C	an..3	N		Not used
3222	First related location name	C	an..70	N		Not used
C553	Related location two identification	C		N		
3233	Second related location name code	C	an..25	N		Not used
1131	Code list identification code	C	an..3	N		Not used
3055	Code list responsible agency code	C	an..3	N		Not used
3232	Second related location name	C	an..70	N		Not used
5479	Relation code	C	an..3	N		Not used

Remark:**Example:**

LOC+7+0015'

No = Consecutive segment number
 MaxOcc = Maximum occurrence of the segment/group
 Counter = Counter of segment/group within the standard

St = Status
 EDIFACT: M=Mandatory, C=Conditional
 User specific: R=Required, O=Optional, D=Dependent,
 A=Advised, N=Not used

Counter	No	Tag	St	MaxOcc	Level	Name	
	0250	SG6	C	5	2	CTA-COM	
	0260	11	CTA	M	1	2	Contact information

Standard			Implementation	
Tag	Name	St Format	St Format	Usage / Remark
CTA				
3139	Contact function code	C an..3	C an..3	IC Information contact
C056	Department or employee details	C	C	
3413	Department or employee name code	C an..17	N	Not used
3412	Department or employee name	C an..35	C an..35	

Remark:

Example:

CTA+IC+:Cindy Marzahn'

No = Consecutive segment number
 MaxOcc = Maximum occurrence of the segment/group
 Counter = Counter of segment/group within the standard

St = Status
 EDIFACT: M=Mandatory, C=Conditional
 User specific: R=Required, O=Optional, D=Dependent,
 A=Advised, N=Not used

Counter	No	Tag	St	MaxOcc	Level	Name
	0250	SG6	C	5	2	CTA-COM
	0270	12 COM	C	5	3	Communication contact

Standard			Implementation	
Tag	Name	St Format	St Format	Usage / Remark
COM				
C076	Communication contact	M	M	
3148	Communication number	M an..512	M an..512	
3155	Communication number code qualifier	M an..3	M an..3	EM Electronic mail FX Telefax TE Telephone

Remark:

Example:

COM+0987-654321:TE'

No = Consecutive segment number
 MaxOcc = Maximum occurrence of the segment/group
 Counter = Counter of segment/group within the standard

St = Status
 EDIFACT: M=Mandatory, C=Conditional
 User specific: R=Required, O=Optional, D=Dependent,
 A=Advised, N=Not used

Counter	No	Tag	St	MaxOcc	Level	Name
0970		SG26	C	200000	1	LIN-PIA-IMD-MOA-FTX-SG28-SG30-SG31-SG51
0980	13	LIN	M	1	1	Line item

Standard			Implementation	
Tag	Name	St Format	St Format	Usage / Remark
LIN				
1082	Line item identifier	C an..6	C an..6	
1229	Action request/notification description code	C an..3	N	Not used
C212	Item number identification	C	C	
7140	Item identifier	C an..35	C an..35	
7143	Item type identification code	C an..3	C an..3	BP Buyer's part number
1131	Code list identification code	C an..3	N	Not used
3055	Code list responsible agency code	C an..3	N	Not used
C829	Sub-line information	C	N	
5495	Sub-line indicator code	C an..3	N	Not used
1082	Line item identifier	C an..6	N	Not used
1222	Configuration level number	C n..2	N	Not used
7083	Configuration operation code	C an..3	N	Not used

Remark:

Example:

LIN+10++37513375:BP'

No = Consecutive segment number
 MaxOcc = Maximum occurrence of the segment/group
 Counter = Counter of segment/group within the standard

St = Status
 EDIFACT: M=Mandatory, C=Conditional
 User specific: R=Required, O=Optional, D=Dependent,
 A=Advised, N=Not used

Counter	No	Tag	St	MaxOcc	Level	Name
0970		SG26	C	200000	1	LIN-PIA-IMD-MOA-FTX-SG28-SG30-SG31-SG51
0990	14	PIA	C	25	2	Additional product id

Standard			Implementation	
Tag	Name	St Format	St Format	Usage / Remark
PIA				
4347	Product identifier code qualifier	M an..3	M an..3	1 Additional identification 5 Product identification
C212	Item number identification	M	M	
7140	Item identifier	C an..35	C an..35	
7143	Item type identification code	C an..3	C an..3	IN Buyer's item number SA Supplier's article number
1131	Code list identification code	C an..3	N	Not used
3055	Code list responsible agency code	C an..3	N	Not used
C212	Item number identification	C	N	
7140	Item identifier	C an..35	N	Not used
7143	Item type identification code	C an..3	N	Not used
1131	Code list identification code	C an..3	N	Not used
3055	Code list responsible agency code	C an..3	N	Not used
C212	Item number identification	C	N	
7140	Item identifier	C an..35	N	Not used
7143	Item type identification code	C an..3	N	Not used
1131	Code list identification code	C an..3	N	Not used
3055	Code list responsible agency code	C an..3	N	Not used
C212	Item number identification	C	N	
7140	Item identifier	C an..35	N	Not used
7143	Item type identification code	C an..3	N	Not used
1131	Code list identification code	C an..3	N	Not used
3055	Code list responsible agency code	C an..3	N	Not used
C212	Item number identification	C	N	
7140	Item identifier	C an..35	N	Not used
7143	Item type identification code	C an..3	N	Not used
1131	Code list identification code	C an..3	N	Not used
3055	Code list responsible agency code	C an..3	N	Not used

Remark:

Example:

PIA+1+ABSCHLUSSKLEMME35 mm: IN'

No = Consecutive segment number
 MaxOcc = Maximum occurrence of the segment/group
 Counter = Counter of segment/group within the standard

St = Status
 EDIFACT: M=Mandatory, C=Conditional
 User specific: R=Required, O=Optional, D=Dependent,
 A=Advised, N=Not used

Counter	No	Tag	St	MaxOcc	Level	Name
0970		SG26	C	200000	1	LIN-PIA-IMD-MOA-FTX-SG28-SG30-SG31-SG51
1000	15	IMD	C	99	2	Item description

Standard			Implementation	
Tag	Name	St Format	St Format	Usage / Remark
IMD				
7077	Description format code	C an..3	C an..3	A Free-form long description
C272	Item characteristic	C	N	Not used
7081	Item characteristic code	C an..3	N	Not used
1131	Code list identification code	C an..3	N	Not used
3055	Code list responsible agency code	C an..3	N	Not used
C273	Item description	C	C	
7009	Item description code	C an..17	N	Not used
1131	Code list identification code	C an..3	N	Not used
3055	Code list responsible agency code	C an..3	N	Not used
7008	Item description	C an..256	C an..256	
7008	Item description	C an..256	N	Not used
3453	Language name code	C an..3	N	Not used
7383	Surface or layer code	C an..3	N	Not used

Remark:**Example:**

IMD+A+++::ABSCHLUSSKLEMME.; 5ST3770-0HG'

No = Consecutive segment number
 MaxOcc = Maximum occurrence of the segment/group
 Counter = Counter of segment/group within the standard

St = Status
 EDIFACT: M=Mandatory, C=Conditional
 User specific: R=Required, O=Optional, D=Dependent,
 A=Advised, N=Not used

Counter	No	Tag	St	MaxOcc	Level	Name
	0970	SG26	C	200000	1	LIN-PIA-IMD-MOA-FTX-SG28-SG30-SG31-SG51
	1060	16 MOA	C	10	2	Monetary amount

Standard			Implementation	
Tag	Name	St Format	St Format	Usage / Remark
MOA				
C516	Monetary amount	M	M	
5025	Monetary amount type code qualifier	M an..3	M an..3	203 Line item amount
5004	Monetary amount	C n..35	C n..35	
6345	Currency identification code	C an..3	C an..3	EUR Euro Further codes can be used.
6343	Currency type code qualifier	C an..3	N	Not used
4405	Status description code	C an..3	N	Not used

Remark:**Example:**

MOA+203:32.90:EUR'

No = Consecutive segment number
 MaxOcc = Maximum occurrence of the segment/group
 Counter = Counter of segment/group within the standard

St = Status
 EDIFACT: M=Mandatory, C=Conditional
 User specific: R=Required, O=Optional, D=Dependent,
 A=Advised, N=Not used

Counter	No	Tag	St	MaxOcc	Level	Name
	0970	SG26	C	200000	1	LIN-PIA-IMD-MOA-FTX-SG28-SG30-SG31-SG51
	1130	FTX	C	99	2	Free text

Standard			Implementation	
Tag	Name	St Format	St Format	Usage / Remark
FTX				
4451	Text subject code qualifier	M an..3	M an..3	LIN Line item
4453	Free text function code	C an..3	N	Not used
C107	Text reference	C	N	
4441	Free text value code	M an..17	N	Not used
1131	Code list identification code	C an..3	N	Not used
3055	Code list responsible agency code	C an..3	N	Not used
C108	Text literal	C	C	
4440	Free text value	M an..512	M an..512	
4440	Free text value	C an..512	N	Not used
4440	Free text value	C an..512	N	Not used
4440	Free text value	C an..512	N	Not used
4440	Free text value	C an..512	N	Not used
3453	Language name code	C an..3	C an..3	DE German Further codes can be used.
4447	Free text format code	C an..3	N	Not used

Remark:**Example:**FTX+LIN+++ANSCHLUSSKLEMME 35 MM²+DE'

No = Consecutive segment number
 MaxOcc = Maximum occurrence of the segment/group
 Counter = Counter of segment/group within the standard

St = Status
 EDIFACT: M=Mandatory, C=Conditional
 User specific: R=Required, O=Optional, D=Dependent,
 A=Advised, N=Not used

Counter	No	Tag	St	MaxOcc	Level	Name
1180		SG28	C	10	2	PAT
1190	18	PAT	M	1	2	Payment terms basis

Standard			Implementation	
Tag	Name	St Format	St Format	Usage / Remark
PAT				
4279	Payment terms type code qualifier	M an..3	M an..3	ZZZ Mutually defined
C110	Payment terms	C	C	
4277	Payment terms description identifier	M an..17	M an..17	AGREE Payment by agreement
1131	Code list identification code	C an..3	N	Not used
3055	Code list responsible agency code	C an..3	N	Not used
4276	Payment terms description	C an..35	C an..35	
4276	Payment terms description	C an..35	N	Not used
C112	Terms/time information	C	N	
2475	Time reference code	M an..3	N	Not used
2009	Terms time relation code	C an..3	N	Not used
2151	Period type code	C an..3	N	Not used
2152	Period count quantity	C n..3	N	Not used

Remark:

Example:

PAT+ZZZ+AGREE:::Bei Zahlung innerhalb 14 Tagen 3% Skonto'

No = Consecutive segment number
 MaxOcc = Maximum occurrence of the segment/group
 Counter = Counter of segment/group within the standard

St = Status
 EDIFACT: M=Mandatory, C=Conditional
 User specific: R=Required, O=Optional, D=Dependent,
 A=Advised, N=Not used

Counter No	Tag	St	MaxOcc	Level	Name
1260	SG30	C	25	2	PRI-CUX
1270 19	PRI	M	1	2	Price details

Standard			Implementation	
Tag	Name	St Format	St Format	Usage / Remark
PRI				
C509	Price information	C	C	
5125	Price code qualifier	M an..3	M an..3	AAA Calculation net
5118	Price amount	C n..15	C n..15	
5375	Price type code	C an..3	N	Not used
5387	Price specification code	C an..3	N	Not used
5284	Unit price basis value	C n..9	C n..9	
6411	Measurement unit code	C an..3	C an..3	PCE Further codes can be used.
5213	Sub-line item price change operation code	C an..3	N	Not used

Remark:

Example:

PRI+AAA:7.01:::1:PCE'

No = Consecutive segment number
 MaxOcc = Maximum occurrence of the segment/group
 Counter = Counter of segment/group within the standard

St = Status
 EDIFACT: M=Mandatory, C=Conditional
 User specific: R=Required, O=Optional, D=Dependent,
 A=Advised, N=Not used

Counter	No	Tag	St	MaxOcc	Level	Name
1260		SG30	C	25	2	PRI-CUX
1280	20	CUX	C	1	3	Currencies

Standard			Implementation	
Tag	Name	St Format	St Format	Usage / Remark
CUX				
C504	Currency details	C	C	
6347	Currency usage code qualifier	M an..3	M an..3	5 Calculation base currency
6345	Currency identification code	C an..3	C an..3	EUR Euro Further codes can be used.
6343	Currency type code qualifier	C an..3	N	Not used
6348	Currency rate value	C n..4	N	Not used
C504	Currency details	C	N	
6347	Currency usage code qualifier	M an..3	N	Not used
6345	Currency identification code	C an..3	N	Not used
6343	Currency type code qualifier	C an..3	N	Not used
6348	Currency rate value	C n..4	N	Not used
5402	Currency exchange rate	C n..12	N	Not used
6341	Exchange rate currency market identifier	C an..3	N	Not used

Remark:

Example:

CUX+5 : EUR '

No = Consecutive segment number
 MaxOcc = Maximum occurrence of the segment/group
 Counter = Counter of segment/group within the standard

St = Status
 EDIFACT: M=Mandatory, C=Conditional
 User specific: R=Required, O=Optional, D=Dependent,
 A=Advised, N=Not used

Counter	No	Tag	St	MaxOcc	Level	Name	
	1320	SG31	C	9999	2	RFF	
	1330	21	RFF	M	1	2	Reference

Standard			Implementation	
Tag	Name	St Format	St Format	Usage / Remark
RFF				
C506	Reference	M	M	
1153	Reference function code qualifier	M an..3	M an..3	ON Order number (purchase)
1154	Reference identifier	C an..35	C an..35	
1156	Document line identifier	C an..6	C an..6	
4000	Reference version identifier	C an..35	N	Not used
1060	Revision identifier	C an..6	N	Not used

Remark:

Example:

RFF+ON:0071283565:10'

No = Consecutive segment number
 MaxOcc = Maximum occurrence of the segment/group
 Counter = Counter of segment/group within the standard

St = Status
 EDIFACT: M=Mandatory, C=Conditional
 User specific: R=Required, O=Optional, D=Dependent,
 A=Advised, N=Not used

Counter	No	Tag	St	MaxOcc	Level	Name
2020		SG51	C	100	2	SCC-SG52
2030	22	SCC	M	1	2	Scheduling conditions

Standard			Implementation	
Tag	Name	St Format	St Format	Usage / Remark
SCC				
4017	Delivery plan commitment level code	M an..3	M an..3	1 Firm
4493	Delivery instruction code	C an..3	C an..3	001 Consecutive number in ascending order per partial delivery No. 1 002 Consecutive number in ascending order per partial delivery No. 2 Field has to be filled with a consecutive number in ascending order per partial delivery, range 001 to 100.
C329	Pattern description	C	N	
2013	Frequency code	C an..3	N	Not used
2015	Despatch pattern code	C an..3	N	Not used
2017	Despatch pattern timing code	C an..3	N	Not used

Remark:

Example:

SCC+1+001'

No = Consecutive segment number
 MaxOcc = Maximum occurrence of the segment/group
 Counter = Counter of segment/group within the standard

St = Status
 EDIFACT: M=Mandatory, C=Conditional
 User specific: R=Required, O=Optional, D=Dependent,
 A=Advised, N=Not used

Counter	No	Tag	St	MaxOcc	Level	Name
2060		SG52	C	10	3	QTY-DTM
2070	23	QTY	M	1	3	Quantity

Standard			Implementation	
Tag	Name	St Format	St Format	Usage / Remark
QTY				
C186	Quantity details	M	M	
6063	Quantity type code qualifier	M an..3	M an..3	21 Ordered quantity 131 Delivery quantity
6060	Quantity	M an..35	M an..35	
6411	Measurement unit code	C an..3	C an..3	C62 one Further codes can be used.

Remark:

Example:

QTY+21:10:C62'

No = Consecutive segment number
 MaxOcc = Maximum occurrence of the segment/group
 Counter = Counter of segment/group within the standard

St = Status
 EDIFACT: M=Mandatory, C=Conditional
 User specific: R=Required, O=Optional, D=Dependent,
 A=Advised, N=Not used

Counter	No	Tag	St	MaxOcc	Level	Name
	2060	SG52	C	10	3	QTY-DTM
	2080	DTM	C	5	4	Date/time/period

Standard			Implementation	
Tag	Name	St Format	St Format	Usage / Remark
DTM				
C507	Date/time/period	M	M	
2005	Date or time or period function code qualifier	M an..3	M an..3	2 Delivery date/time, requested 69 Delivery date/time, promised for
2380	Date or time or period value	C an..35	C an..35	
2379	Date or time or period format code	C an..3	C an..3	102 CCYYMMDD

Remark:

Example:

DTM+2:20140116:102'

No = Consecutive segment number
 MaxOcc = Maximum occurrence of the segment/group
 Counter = Counter of segment/group within the standard

St = Status
 EDIFACT: M=Mandatory, C=Conditional
 User specific: R=Required, O=Optional, D=Dependent,
 A=Advised, N=Not used

Counter	No	Tag	St	MaxOcc	Level	Name
2190	25	UNS	M	1	0	Section control

Standard			Implementation	
Tag	Name	St Format	St Format	Usage / Remark
UNS				
0081	Section identification	M a1	M a1	S Detail/summary section separation

Remark:

Example:

UNS+S'

No = Consecutive segment number
 MaxOcc = Maximum occurrence of the segment/group
 Counter = Counter of segment/group within the standard

St = Status
 EDIFACT: M=Mandatory, C=Conditional
 User specific: R=Required, O=Optional, D=Dependent,
 A=Advised, N=Not used

Counter	No	Tag	St	MaxOcc	Level	Name
2200	26	MOA	C	12	1	Monetary amount

Standard			Implementation	
Tag	Name	St Format	St Format	Usage / Remark
MOA				
C516	Monetary amount	M	M	
5025	Monetary amount type code qualifier	M an..3	M an..3	79 Total line items amount
5004	Monetary amount	C n..35	C n..35	
6345	Currency identification code	C an..3	C an..3	EUR Euro Further codes can be used.
6343	Currency type code qualifier	C an..3	N	Not used
4405	Status description code	C an..3	N	Not used

Remark:

Example:

MOA+79:49:72:EUR'

No = Consecutive segment number
 MaxOcc = Maximum occurrence of the segment/group
 Counter = Counter of segment/group within the standard

St = Status
 EDIFACT: M=Mandatory, C=Conditional
 User specific: R=Required, O=Optional, D=Dependent,
 A=Advised, N=Not used

Counter	No	Tag	St	MaxOcc	Level	Name
2260	27	UNT	M	1	0	Message trailer

Standard			Implementation	
Tag	Name	St Format	St Format	Usage / Remark
UNT				
0074	Number of segments in a message	M n..10	M n..10	
0062	Message reference number	M an..14	M an..14	

Remark:

Example:
UNT+60+1'

No = Consecutive segment number
 MaxOcc = Maximum occurrence of the segment/group
 Counter = Counter of segment/group within the standard

St = Status
 EDIFACT: M=Mandatory, C=Conditional
 User specific: R=Required, O=Optional, D=Dependent,
 A=Advised, N=Not used

Counter	No	Tag	St	MaxOcc	Level	Name
0000	28	UNZ	M	1	0	Interchange trailer

Standard			Implementation	
Tag	Name	St Format	St Format	Usage / Remark
UNZ				
0036	Interchange control count	M n..6	M n..6	
0020	Interchange control reference	M an..14	M an..14	

Remark:

Example:

UNZ+1+000004315'

No = Consecutive segment number
 MaxOcc = Maximum occurrence of the segment/group
 Counter = Counter of segment/group within the standard

St = Status
 EDIFACT: M=Mandatory, C=Conditional
 User specific: R=Required, O=Optional, D=Dependent,
 A=Advised, N=Not used

Message example:

UNA:+.? '
 UNB+UNOC:4+00013000426SCHA:59+00013000409BENTELERXXX001:59+20140901:0952+000004315++ORDRSP '
 UNH+1+ORDRSP:D:00A:UN '
 BGM+231+0013867918-B320-B101N '
 DTM+137:20140107:102 '
 DTM+2:20140925:102 '
 FTX+AAI+++<Allgemeine Informationen / Generelle Informationen>+DE '
 FTX+AAI+++BITTE GEBEN SIE AUF IHREN LIEFERPAPIEREN UND RECHNUNGEN GRUNDSATZLICH+DE '
 FTX+AAI+++UNSERE BESTELLNUMMER MIT DER JEWEILIGEN BESTELLPPOSITION AN!+DE '
 RFF+ON:0071283565 '
 DTM+4:20140106111544:204 '
 NAD+BY+1600981+Benteler Maschinenbau GmbH++Frachtstr. 10-16+Bielefeld+:::05+33602+DE '
 CTA+IC+:Cindy Marzahn '
 COM+0987-654321:TE '
 COM+0987-123456:FX '
 COM+cindy.marzahn@schabulke.com:EM '
 NAD+SU+426601 '
 NAD+CN+0015+SCHABULKE GMBH++GORITSCHACHER WEG 165+BALDRAMSDORF+:::05+09805+DE '
 LOC+7+0015 '
 LIN+10++37513375:BP '
 PIA+1+ABSCHLUSSKLEMME35 mm:IN '
 PIA+5+3RB20 46-2UD0:SA '
 IMD+A++:::ABSCHLUSSKLEMME.; 5ST3770-0HG '
 MOA+203:32.90:EUR '
 FTX+LIN+++ANSCHLUSSKLEMME 35 MM²+DE '
 FTX+LIN+++5ST3770-0HG+DE '
 FTX+LIN+++NACH UL508+DE '
 PAT+ZZZ:AGREE:::Bei Zahlung innerhalb 14 Tagen 3% Skonto '
 PAT+ZZZ:AGREE:::Bei Zahlung innerhalb 30 Tagen 2% Skonto '
 PAT+ZZZ:AGREE:::Bei Zahlung innerhalb 60 Tagen ohne Abzug '
 PRI+AAA:7.01:::1:PCE '
 CUX+5:EUR '
 RFF+ON:0071283565:10 '
 SCC+1:001 '
 QTY+21:10:C62 '
 DTM+2:20140116:102 '
 QTY+131:5:C62 '
 DTM+69:20140116:102 '
 SCC+1:002 '
 QTY+131:5:C62 '
 DTM+69:20140120:102 '
 LIN+20++37512455:BP '
 PIA+1+SICHERUNGSAUTOMAT 5SY4116-7 1-P. TYP C:IN '
 PIA+5+5SY4116-7 :SA '
 IMD+A++:::SICHERUNGSAUTOMAT 5SY4116-7 1-P. TYP C '
 MOA+203:16.82:EUR '
 FTX+LIN+++SICHERUNGS-AUTOMAT 1-POLIG 16A+DE '
 FTX+LIN+++5SY4 116-7 TYP C, 10KA+DE '
 PAT+ZZZ:AGREE:::Bei Zahlung innerhalb 14 Tagen 3% Skonto '

No = Consecutive segment number
 MaxOcc = Maximum occurrence of the segment/group
 Counter = Counter of segment/group within the standard

St = Status
 EDIFACT: M=Mandatory, C=Conditional
 User specific: R=Required, O=Optional, D=Dependent,
 A=Advised, N=Not used

EDIFACT ORDRSP D.00A



PAT+ZZZ:AGREE:::Bei Zahlung innnerhalb 30 Tagen 2% Skonto'
PAT+ZZZ:AGREE:::Bei Zahlung innnerhalb 60 Tagen ohne Abzug'
PRI+AAA:17.09:::1:PCE'
CUX+5:EUR'
RFF+ON:0071283565:20'
SCC+1:001'
QTY+21:2:C62'
DTM+2:20140116:102'
QTY+131:2:C62'
DTM+69:20140116:102'
UNS+S'
MOA+79:49.72:EUR'
UNT+60+1'
UNZ+1+000004315'

No = Consecutive segment number
MaxOcc = Maximum occurrence of the segment/group
Counter = Counter of segment/group within the standard

St = Status
EDIFACT: M=Mandatory, C=Conditional
User specific: R=Required, O=Optional, D=Dependent,
A=Advised, N=Not used