



# ***ORDERS***

## ***EDIFACT ORDERS D.00A***

*Version 1.0*



## **Table of content**

<b>1. Structure Chart</b> .....	3
<b>2. Branch Diagram</b> .....	4
<b>3. Segment Descripton</b> .....	15
<b>4. Code lists</b> .....	55
<b>5. Examples</b> .....	57



## 1. Structure Chart

ORDERS	Purchase order message		
UNA	C	1	Service string advice
UNB	M	1	Interchange header
UNH	M	1	Message header
BGM	M	1	Beginning of message
DTM	M	35	Date/time/period
FTX	C	99	Free text
SG1	C	9999	RFF-DTM
RFF	M	1	Reference
DTM	C	5	Date/time/period
SG2	C	99	NAD-SG5
NAD	M	1	Name and address
SG5	C	5	CTA-COM-COM-COM
CTA	M	1	Contact information
COM	C	5	Communication contact
COM	C	5	Communication contact
COM	C	5	Communication contact
SG2	C	99	NAD-SG5
NAD	M	1	Name and address
SG5	C	5	CTA-COM-COM
CTA	M	1	Contact information
COM	C	5	Communication contact
COM	C	5	Communication contact
SG2	C	99	NAD-LOC-SG5
NAD	M	1	Name and address
LOC	C	99	Place/location identification
SG5	C	5	CTA
CTA	M	1	Contact information
SG2	C	99	NAD
NAD	M	1	Name and address
SG28	C	200000	LIN-PIA-IMD-QTY-QTY-QTY-DTM-MOA-SG33
LIN	M	1	Line item
PIA	C	25	Additional product id
IMD	C	99	Item description
QTY	C	99	Quantity
QTY	C	99	Quantity
QTY	C	99	Quantity
DTM	C	35	Date/time/period
MOA	C	10	Monetary amount
SG33	C	9999	RFF-DTM
RFF	M	1	Reference
DTM	C	5	Date/time/period



<b>ORDERS</b>			Purchase order message
<b>UNS</b>	M	1	Section control
<b>MOA</b>	C	99	Monetary amount
<b>UNT</b>	M	1	Message trailer
<b>UNZ</b>	M	1	Interchange trailer

## ***2. Branch Diagram***

# ORDERS D.00A

Author: Jörg Dahm

**Benteler AG**

Department: Information Management & Technology, EDI-Team

## ORDERS



This is a branching diagram. Every variant of a segment or segment group described in the MIG appears exactly on times. The letters M and R characterise a 'mandatory' application status, whereas O means optional. The letter D is used for 'dependent' and the dependency will be described in comments. The number on the right-hand side explains the maximum occurrence of this segment or segment group. The undermost number is the consecutive number of the segment within the guide.

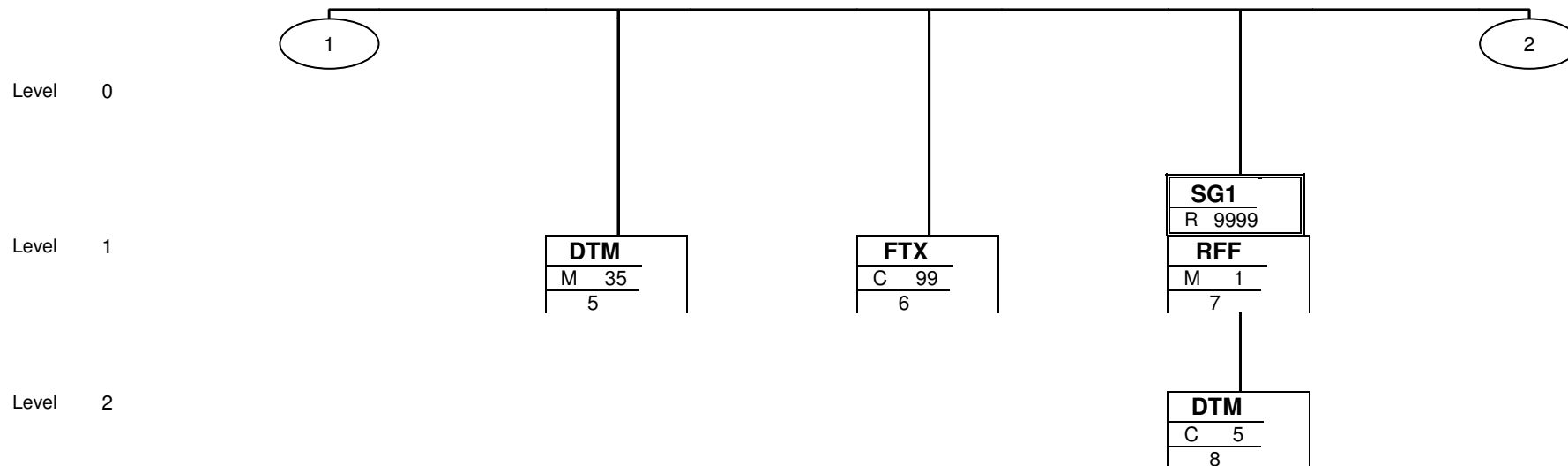
# ORDERS D.00A

Author: Jörg Dahm

**Benteler AG**

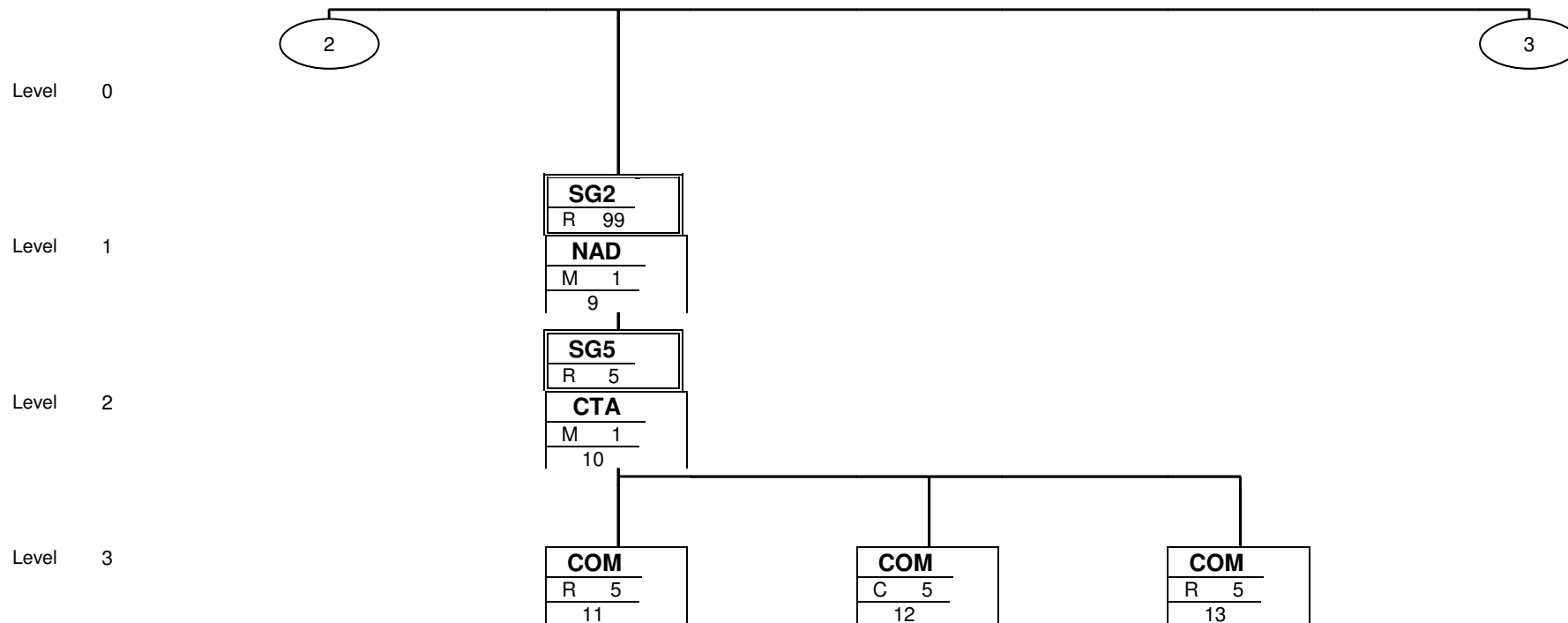
Department: Information Management & Technology, EDI-Team

## ORDERS



This is a branching diagram. Every variant of a segment or segment group described in the MIG appears exactly on times. The letters M and R characterise a 'mandatory' application status, whereas O means optional. The letter D is used for 'dependent' and the dependency will be described in comments. The number on the right-hand side explains the maximum occurrence of this segment or segment group. The undermost number is the consecutive number of the segment within the guide.

**ORDERS**



This is a branching diagram. Every variant of a segment or segment group described in the MIG appears exactly on times. The letters M and R characterise a 'mandatory' application status, whereas O means optional. The letter D is used for 'dependent' and the dependency will be described in comments. The number on the right-hand side explains the maximum occurrence of this segment or segment group. The undermost number is the consecutive number of the segment within the guide.

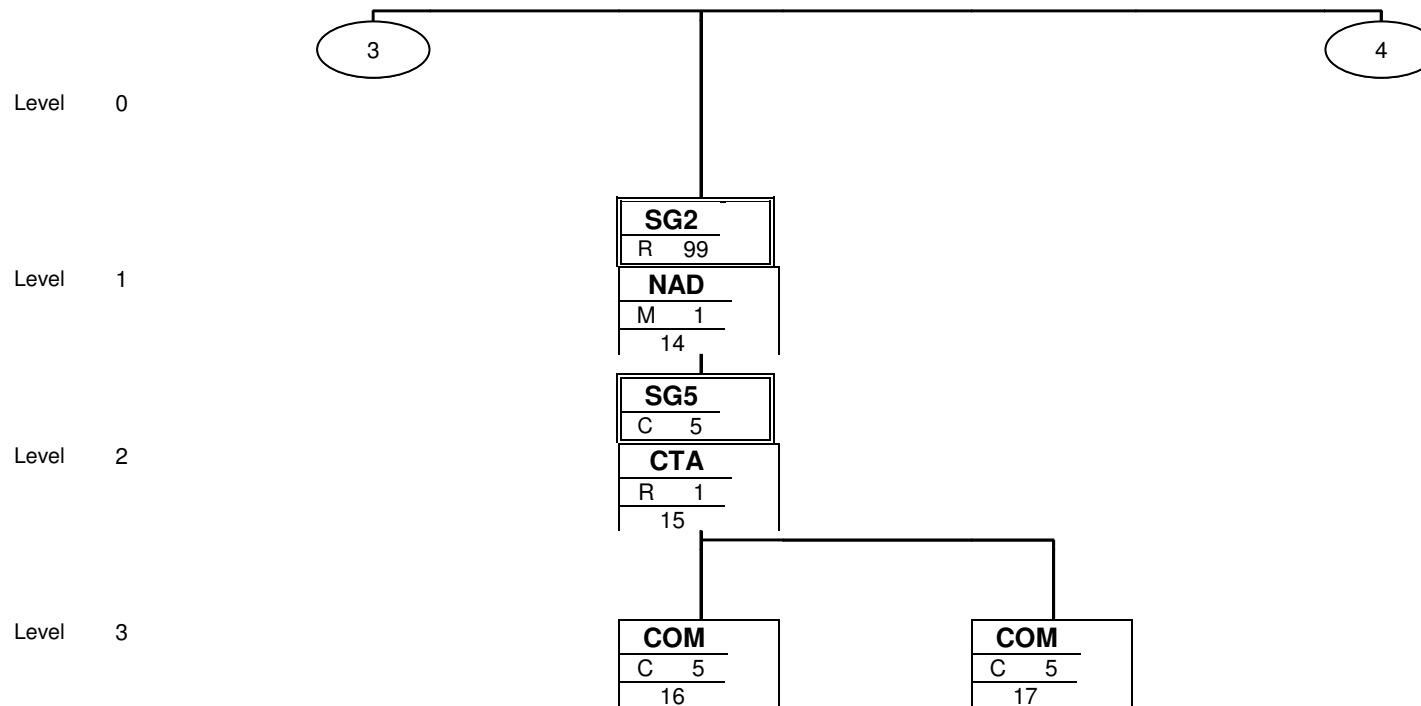
# ORDERS D.00A

Author: Jörg Dahm

Benteler AG

Department: Information Management & Technology, EDI-Team

## ORDERS



This is a branching diagram. Every variant of a segment or segment group described in the MIG appears exactly on times. The letters M and R characterise a 'mandatory' application status, whereas O means optional. The letter D is used for 'dependent' and the dependency will be described in comments. The number on the right-hand side explains the maximum occurrence of this segment or segment group. The undermost number is the consecutive number of the segment within the guide.



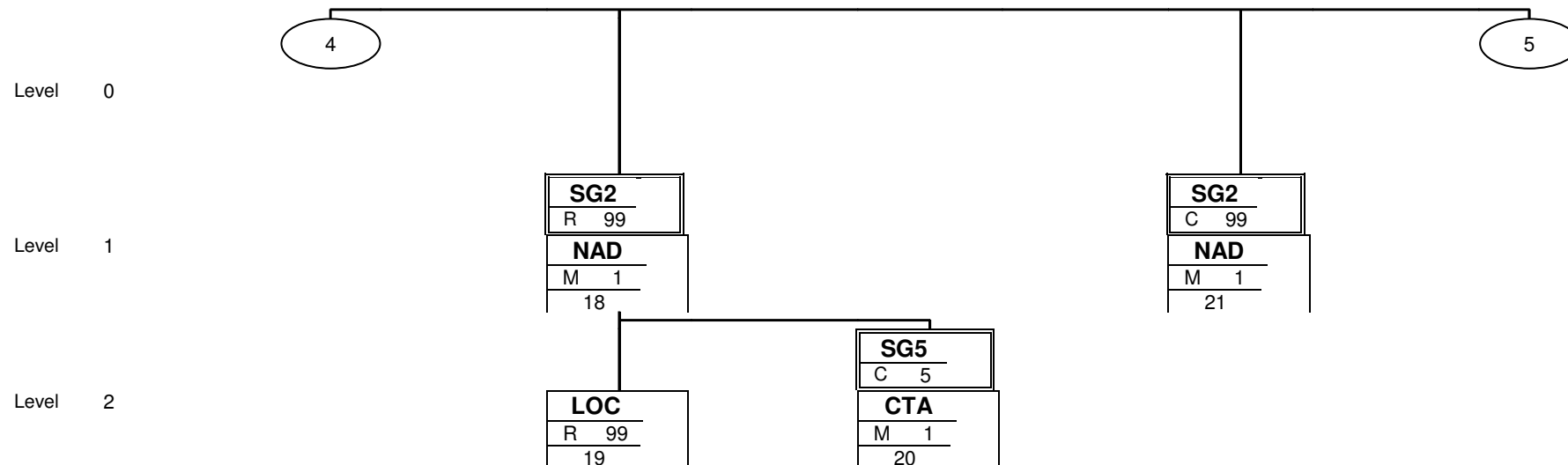
# ORDERS D.00A

Author: Jörg Dahm

Benteler AG

Department: Information Management & Technology, EDI-Team

## ORDERS



This is a branching diagram. Every variant of a segment or segment group described in the MIG appears exactly on times. The letters M and R characterise a 'mandatory' application status, whereas O means optional. The letter D is used for 'dependent' and the dependency will be described in comments. The number on the right-hand side explains the maximum occurrence of this segment or segment group. The undermost number is the consecutive number of the segment within the guide.

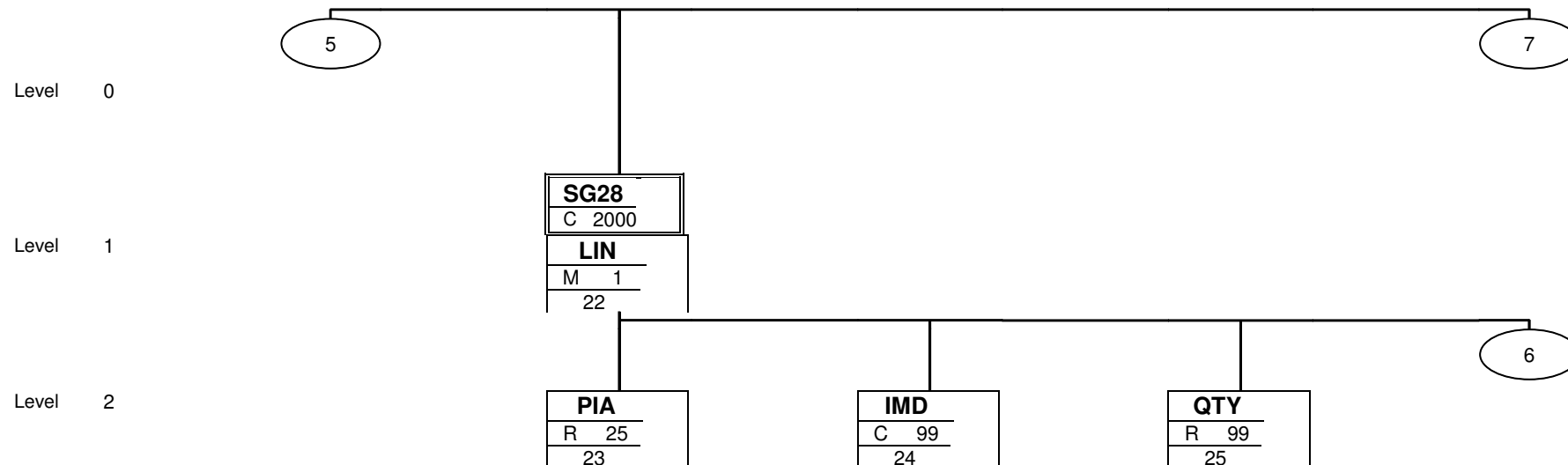
# ORDERS D.00A

Author: Jörg Dahm

Benteler AG

Department: Information Management & Technology, EDI-Team

## ORDERS



This is a branching diagram. Every variant of a segment or segment group described in the MIG appears exactly on times. The letters M and R characterise a 'mandatory' application status, whereas O means optional. The letter D is used for 'dependent' and the dependency will be described in comments. The number on the right-hand side explains the maximum occurrence of this segment or segment group. The undermost number is the consecutive number of the segment within the guide.

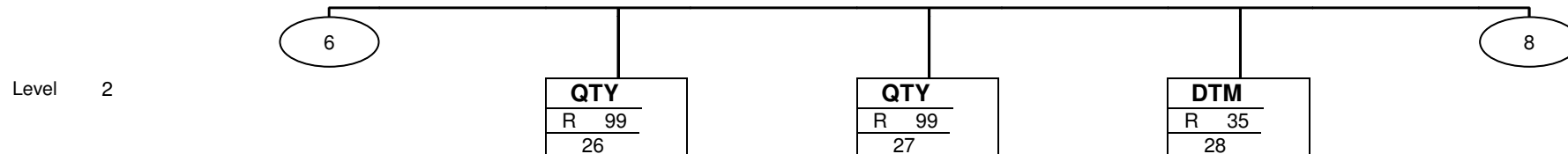
# ORDERS D.00A

Author: Jörg Dahm

**Benteler AG**

Department: Information Management & Technology, EDI-Team

## ORDERS



This is a branching diagram. Every variant of a segment or segment group described in the MIG appears exactly on times. The letters M and R characterise a 'mandatory' application status, whereas O means optional. The letter D is used for 'dependent' and the dependency will be described in comments. The number on the right-hand side explains the maximum occurrence of this segment or segment group. The undermost number is the consecutive number of the segment within the guide.

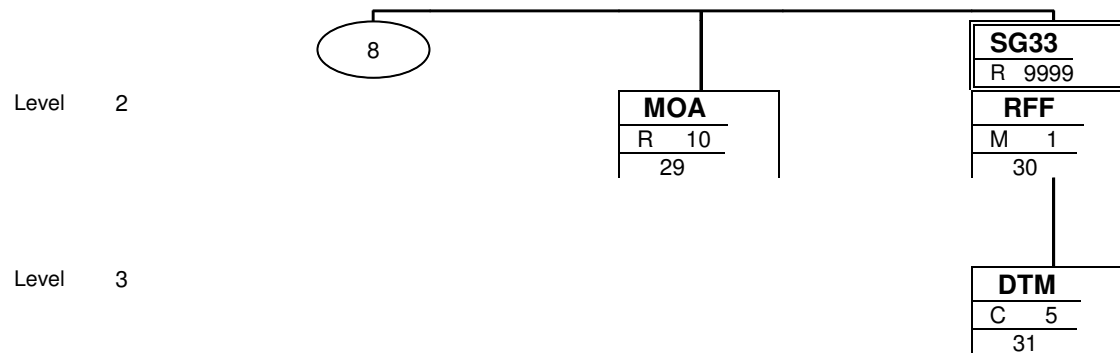
# ORDERS D.00A

Author: Jörg Dahm

**Benteler AG**

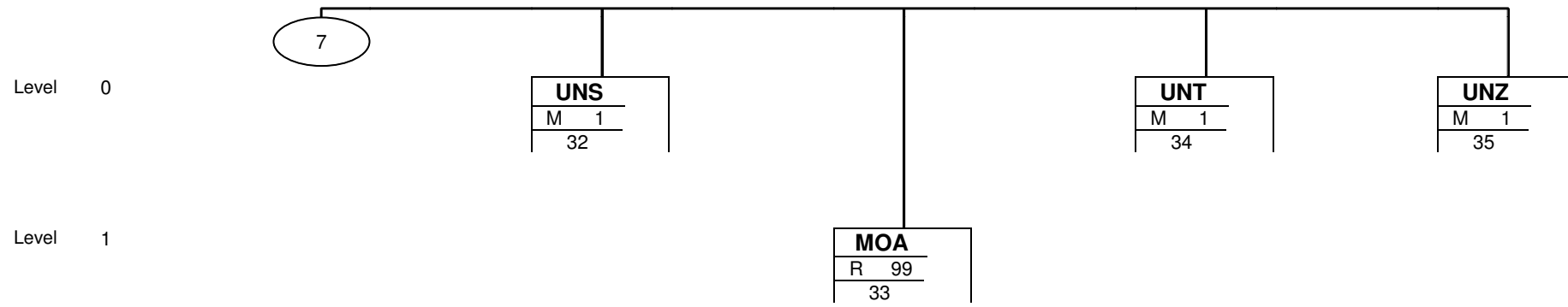
Department: Information Management & Technology, EDI-Team

## ORDERS



This is a branching diagram. Every variant of a segment or segment group described in the MIG appears exactly on times. The letters M and R characterise a 'mandatory' application status, whereas O means optional. The letter D is used for 'dependent' and the dependency will be described in comments. The number on the right-hand side explains the maximum occurrence of this segment or segment group. The undermost number is the consecutive number of the segment within the guide.

**ORDERS**



This is a branching diagram. Every variant of a segment or segment group described in the MIG appears exactly on times. The letters M and R characterise a 'mandatory' application status, whereas O means optional. The letter D is used for 'dependent' and the dependency will be described in comments. The number on the right-hand side explains the maximum occurrence of this segment or segment group. The undermost number is the consecutive number of the segment within the guide.

## ORDERS D.00A

Author: Jörg Dahm

**Benteler AG**

Department: Information Management & Technology, EDI-Team

# ORDERS

This is a branching diagram. Every variant of a segment or segment group described in the MIG appears exactly on times. The letters M and R characterise a 'mandatory' application status, whereas O means optional. The letter D is used for 'dependent' and the dependency will be described in comments. The number on the right-hand side explains the maximum occurrence of this segment or segment group. The undermost number is the consecutive number of the segment within the guide.



# ORDERS

## 3.Segment Descripton

Segment: **UNA**      Seq. No.: 1      Level: 0      Service string advice  
 Status: C      Max. Occ.: 1

Name: Service string advice

Description of segment:

EDIFACT			Application		
Tag	Name	St Format	St	Example	Use / Comments
UNA1	Component data element separator	M an1	M	:	
UNA2	Data element separator	M an1	M	+	
UNA3	Decimal mark	M an1	M	.	
UNA4	Release indicator	M an1	M	?	
UNA5	Repetition separator	M an1	M		
UNA6	Segment terminator	M an1	M	'	

Comment:

Example:  
 UNA:+.?'



# ORDERS

Segment: **UNB** Seq. No.: 2 Level: 0 Interchange header  
 Status: M Max. Occ.: 1

Name: Interchange header

Description of segment:

EDIFACT			Application		
Tag	Name	St Format	St	Example	Use / Comments
S001	Syntax identifier	M	M		
0001	Syntax identifier	M a4	M	+UNOC	<b>UNOC = UN/ECE level C</b>
0002	Syntax version number	M an1	M	:4	<b>4 = Version 4</b>
0080	Service code list directory version number	C an..6	N		
0133	Character encoding, coded	C an..3	N		
S002	Interchange sender	M	M		
0004	Interchange sender identification	M an..35	M	+OIDSENDER	Sender's ODETTE-ID
0007	Identification code qualifier	C an..4	R	:59	<b>59 = ODETTE (Organization for Data Exchange through Tele-Transmission in Europe)</b>
0008	Interchange sender internal identification	C an..35	N		
0042	Interchange sender internal sub-identification	C an..35	N		
S003	Interchange recipient	M	M		
0010	Interchange recipient identification	M an..35	M	+OIDRECEIVER	Receiver's ODETTE-ID
0007	Identification code qualifier	C an..4	R	:59	<b>59 = ODETTE (Organization for Data Exchange through Tele-Transmission in Europe)</b>
0014	Interchange recipient internal identification	C an..35	N		
0046	Interchange recipient internal sub-identification	C an..35	N		
S004	Date and time of preparation	M	M		
0017	Date	M n8	M	+20010508	Creation date of the file
0019	Time	M n4	M	:1022	Creation time of the file
0020	Interchange control reference	M an..14	M	+0014500146	Unique message number
S005	Recipient reference/password details	C	N		
0022	Recipient reference/password	M an..14	N	+	
0025	Recipient reference/password qualifier	C an2	N		
0026	Application reference	C an..14	R	+ORDERS'	Constant »ORDERS«
0029	Processing priority code	C a1	N		
0031	Acknowledgement request	C n1	N		
0032	Interchange agreement identifier	C an..35	N		
0035	Test indicator	C n1	N		

Comment:





## ORDERS

**Example:**

UNB+UNOC:4+OISENDER:59+OIDRECEIVER:59+20010508:1022+0014500146++ORDERS'



# ORDERS

Segment: **UNH**      Seq. No.: 3      Level: 0      Message header  
 Status: M      Max. Occ.: 1

Name: Message header

Description of segment:

EDIFACT			Application		
Tag	Name	St Format	St	Example	Use / Comments
0062	Message reference number	M an..14	M	+1	Consecutively numbering
S009	Message identifier	M	M		
0065	Message type	M an..6	M	+ORDERS	
0052	Message version number	M an..3	M	:D	<b>D</b> = Draft version/UN/EDIFACT Directory
0054	Message release number	M an..3	M	:00A	<b>00A</b> = Release 2000 - A
0051	Controlling agency, coded	M an..3	M	:UN'	<b>UN</b> = UN/CEFACT
0057	Association assigned code	C an..6	N		
0110	Code list directory version number	C an..6	N		
0113	Message type sub-function identification	C an..6	N		
0068	Common access reference	C an..35	N		
S010	Status of the transfer	C	N		
0070	Sequence of transfers	M n..2	N		
0073	First and last transfer	C a1	N		
S016	Message subset identification	C	N		
0115	Message subset identification	M an..14	N		
0116	Message subset version number	C an..3	N		
0118	Message subset release number	C an..3	N		
0051	Controlling agency, coded	C an..3	N		
S017	Message implementation guideline identification	C	N		
0121	Message implementation guideline identification	M an..14	N		
0122	Message implementation guideline version number	C an..3	N		
0124	Message implementation guideline release number	C an..3	N		
0051	Controlling agency, coded	C an..3	N		
S018	Scenario identification	C	N		
0127	Scenario identification	M an..14	N		
0128	Scenario version number	C an..3	N		
0130	Scenario release number	C an..3	N		
0051	Controlling agency, coded	C an..3	N		

Comment:

Example:  
 UNH+1+ORDERS:D:00A:UN'



# ORDERS

**Segment:** **BGM**    Seq. No.: 4    Level: 0    **Beginning of message**

**BGM**

Status: M    Max. Occ.: 1

**Name:**            **Beginning of message**

**Description of segment:**

EDIFACT			Application		
Tag	Name	St Format	St	Example	Use / Comments
C002	Document/message name	C	R		
1001	Document name code	C an..3	R	+220	<b>220 = Order</b>
1131	Code list identification code	C an..3	N		
3055	Code list responsible agency code	C an..3	N		
1000	Document name	C an..35	N		
C106	Document/message identification	C	R		
1004	Document identifier	C an..35	R	+00000000 01755003'	Sender's reference number (IDOC reference number generated by the Benteler SAP-System)
1056	Version identifier	C an..9	N		
1060	Revision identifier	C an..6	N		
1225	Message function code	C an..3	N		
4343	Response type code	C an..3	N		

**Comment:**

**Example:**

BGM+220+0000000001755003'



# ORDERS

Segment: **DTM**      Seq. No.: 5      Level: 1      Date/time/period  
 Status: M      Max. Occ.: 35

Name: Date/time/period

Description of segment:

EDIFACT			Application		
Tag	Name	St Format	St	Example	Use / Comments
C507	Date/time/period	M	M		
2005	Date or time or period function code qualifier	M an..3	M	+242	<b>242 = Preparation date/time of document</b>
2380	Date or time or period value	C an..35	R	:20010503	Date of message creation
2379	Date or time or period format code	C an..3	R	:102'	<b>102 = CCYYMMDD</b>

Comment:

Example:  
 DTM+242:20010503:102'



# ORDERS

Segment: **FTX**      Seq. No.: 6      Level: 1      Free text  
 Status: C      Max. Occ.: 99

Name: Free text

Description of segment:

EDIFACT			Application		
Tag	Name	St Format	St	Example	Use / Comments
4451	Text subject code qualifier	M an..3	M	+CUR	<b>CUR = Customer remarks</b>
4453	Free text function code	C an..3	N	+	
C107	Text reference	C	N		
4441	Free text value code	M an..17	N	+	
1131	Code list identification code	C an..3	N		
3055	Code list responsible agency code	C an..3	N		
C108	Text literal	C	R		
4440	Free text value	M an..512	M	+Free text concerning the order	Free text concerning the order
4440	Free text value	C an..512	N		
4440	Free text value	C an..512	N		
4440	Free text value	C an..512	N		
4440	Free text value	C an..512	N		
3453	Language name code	C an..3	C	+DE'	<b>DE = German</b>
4447	Free text format code	C an..3	N		

Comment:

Example:  
 FTX+CUR+++Free text concerning the order+DE'



# ORDERS

**Group:** **SG1** Status: R Max. Occ.: 9999 RFF-DTM  
Order number and date

**Segment:** **RFF** Seq. No.: 7 Level: 1 **Reference**  
Status: M Max. Occ.: 1

**Name:** Reference

**Description of segment:**

EDIFACT			Application		
Tag	Name	St Format	St	Example	Use / Comments
C506	Reference	M	M		
1153	Reference function code qualifier	M an..3	M	+ON	<b>ON = Order number</b>
1154	Reference identifier	C an..35	R	: 006107780 2-7211 IN'	Order number
1156	Document line identifier	C an..6	N		
4000	Reference version identifier	C an..35	N		
1060	Revision identifier	C an..6	N		

**Comment:**

**Example:**

RFF+ON:0061077802-7211 IN'



# ORDERS

**Group:** **SG1** Status: R Max. Occ.: 9999 RFF-DTM  
 Order number and date

**Segment:** **DTM** Seq. No.: 8 Level: 2 **Date/time/period**  
 Status: C Max. Occ.: 5

**Name:** Date/time/period

**Description of segment:**

EDIFACT			Application		
Tag	Name	St Format	St	Example	Use / Comments
C507	Date/time/period	M	M		
2005	Date or time or period function code qualifier	M an..3	M	+4	<b>4 = Order date/time</b>
2380	Date or time or period value	C an..35	R	: 200104231 71528	
2379	Date or time or period format code	C an..3	R	:204'	<b>204 = CCYYMMDDHHMMSS</b>

**Comment:**

**Example:**  
 DTM+4:20010423171528:204'



# ORDERS

**Group:** **SG2** Status: R Max. Occ.: 99 NAD-SG5

Information concerning the buyer (partner role »AG« inside SAP)

**Segment:** **NAD** Seq. No.: 9 Level: 1 **Name and address**  
 Status: M Max. Occ.: 1

**Name:** Name and address

**Description of segment:**

EDIFACT				Application	
Tag	Name	St Format	St	Example	Use / Comments
3035	Party function code qualifier	M an..3	M	+BY	<b>BY = Buyer</b>
C082	Party identification details	C	R		
3039	Party identifier	M an..35	M	+102002'	
1131	Code list identification code	C an..3	N		
3055	Code list responsible agency code	C an..3	N		
C058	Name and address	C	N		
3124	Name and address description	M an..35	N		
3124	Name and address description	C an..35	N		
3124	Name and address description	C an..35	N		
3124	Name and address description	C an..35	N		
3124	Name and address description	C an..35	N		
C080	Party name	C	N		
3036	Party name	M an..35	N		
3036	Party name	C an..35	N		
3036	Party name	C an..35	N		
3036	Party name	C an..35	N		
3036	Party name	C an..35	N		
3045	Party name format code	C an..3	N		
C059	Street	C	N		
3042	Street and number or post office box identifier	M an..35	N		
3042	Street and number or post office box identifier	C an..35	N		
3042	Street and number or post office box identifier	C an..35	N		
3042	Street and number or post office box identifier	C an..35	N		
3164	City name	C an..35	N		
C819	Country sub-entity details	C	N		
3229	Country sub-entity name code	C an..9	N		
1131	Code list identification code	C an..3	N		
3055	Code list responsible agency code	C an..3	N		
3228	Country sub-entity name	C an..35	N		
3251	Postal identification code	C an..17	N		





# ORDERS

EDIFACT			Application		
Tag	Name	St Format	St	Example	Use / Comments
3207	Country name code	C an..3	N		

**Comment:**

**Example:**

NAD+BY+102002'



# ORDERS

**Group:** **SG2** Status: R Max. Occ.: 99 NAD-SG5  
 Information concerning the buyer (partner role »AG« inside SAP)

**Group:** **SG5** Status: R Max. Occ.: 5 CTA-COM  
 Partner contact

**Segment:** **CTA** Seq. No.: 10 Level: 2 **Contact information**  
 Status: M Max. Occ.: 1

**Name:** Contact information

**Description of segment:**

EDIFACT			Application		
Tag	Name	St Format	St	Example	Use / Comments
3139	Contact function code	C an..3	R	+MD	<b>MD = Material disposition contact</b>
C056	Department or employee details	C	R		
3413	Department or employee name code	C an..17	N	+	
3412	Department or employee name	C an..35	R	:Herr Jürgen Fernhomb erg- Henneman n'	Client's employee contact name

**Comment:**

**Example:**  
 CTA+MD+:Herr Jürgen Fernhomb-  
 erg-Hennemann'



# ORDERS

**Group:** **SG2** Status: R Max. Occ.: 99 NAD-SG5  
 Information concerning the buyer (partner role »AG« inside SAP)

**Group:** **SG5** Status: R Max. Occ.: 5 CTA-COM  
 Partner contact

**Segment:** **COM** Seq. No.: 11 Level: 3 **Communication contact**  
 Status: R Max. Occ.: 5

**Name:** Communication contact

**Description of segment:**

EDIFACT			Application		
Tag	Name	St Format	St	Example	Use / Comments
C076	Communication contact	M	M		
3148	Communication number	M an..512	M	+0049 5254 81 9999	
3155	Communication number code qualifier	M an..3	M	:TE'	<b>TE = Telephone</b>

**Comment:**

**Example:**

COM+0049 5254 81 9999:TE'



# ORDERS

**Group:** **SG2** Status: R Max. Occ.: 99 NAD-SG5  
 Information concerning the buyer (partner role »AG« inside SAP)

**Group:** **SG5** Status: R Max. Occ.: 5 CTA-COM  
 Partner contact

**Segment:** **COM** Seq. No.: 12 Level: 3 **Communication contact**  
 Status: C Max. Occ.: 5

**Name:** Communication contact

**Description of segment:**

EDIFACT			Application		
Tag	Name	St Format	St	Example	Use / Comments
C076	Communication contact	M	M		
3148	Communication number	M an..512	M	+0049 5254 81 1111	
3155	Communication number code qualifier	M an..3	M	:FX'	<b>FX = Telefax</b>

**Comment:**

**Example:**

COM+0049 5254 81 1111:FX'



# ORDERS

**Group:** **SG2** Status: R Max. Occ.: 99 NAD-SG5  
 Information concerning the buyer (partner role »AG« inside SAP)

**Group:** **SG5** Status: R Max. Occ.: 5 CTA-COM  
 Partner contact

**Segment:** **COM** Seq. No.: 13 Level: 3 **Communication contact**  
 Status: R Max. Occ.: 5

**Name:** Communication contact

**Description of segment:**

EDIFACT			Application		
Tag	Name	St Format	St	Example	Use / Comments
C076	Communication contact	M	M		
3148	Communication number	M an..512	M	+vorname. nachname @benteler. de	
3155	Communication number code qualifier	M an..3	M	:EM'	<b>EM</b> = electronic mail

**Comment:**

**Example:**  
 COM+vorname.nachname@benteler.de:EM'



# ORDERS

**Group:** **SG2** Status: R Max. Occ.: 99 NAD-SG5  
Lieferantenangaben

**Segment:** **NAD** Seq. No.: 14 Level: 1 **Name and address**  
Status: M Max. Occ.: 1

**Name:** Name and address

**Description of segment:**

EDIFACT				Application	
Tag	Name	St Format	St	Example	Use / Comments
3035	Party function code qualifier	M an..3	M	+SU	<b>SU = Supplier</b>
C082	Party identification details	C	R		
3039	Party identifier	M an..35	M	+401228'	
1131	Code list identification code	C an..3	N		
3055	Code list responsible agency code	C an..3	N		
C058	Name and address	C	N		
3124	Name and address description	M an..35	N		
3124	Name and address description	C an..35	N		
3124	Name and address description	C an..35	N		
3124	Name and address description	C an..35	N		
3124	Name and address description	C an..35	N		
C080	Party name	C	N		
3036	Party name	M an..35	N		
3036	Party name	C an..35	N		
3036	Party name	C an..35	N		
3036	Party name	C an..35	N		
3036	Party name	C an..35	N		
3045	Party name format code	C an..3	N		
C059	Street	C	N		
3042	Street and number or post office box identifier	M an..35	N		
3042	Street and number or post office box identifier	C an..35	N		
3042	Street and number or post office box identifier	C an..35	N		
3042	Street and number or post office box identifier	C an..35	N		
3164	City name	C an..35	N		
C819	Country sub-entity details	C	N		
3229	Country sub-entity name code	C an..9	N		
1131	Code list identification code	C an..3	N		
3055	Code list responsible agency code	C an..3	N		
3228	Country sub-entity name	C an..35	N		
3251	Postal identification code	C an..17	N		



## ORDERS

EDIFACT			Application		
Tag	Name	St Format	St	Example	Use / Comments
3207	Country name code	C an..3	N		

**Comment:**

**Example:**

NAD+SU+401228'



# ORDERS

**Group:** **SG2** Status: R Max. Occ.: 99 NAD-SG5  
Lieferantenangaben

**Group:** **SG5** Status: C Max. Occ.: 5 CTA-COM  
Ansprechpartner Lieferant

**Segment:** **CTA** Seq. No.: 15 Level: 2 **Contact information**  
Status: R Max. Occ.: 1

**Name:** Contact information

**Description of segment:**

EDIFACT			Application		
Tag	Name	St Format	St	Example	Use / Comments
3139	Contact function code	C an..3	R	+SU'	<b>SU = Supplier contact</b>
C056	Department or employee details	C	N		
3413	Department or employee name code	C an..17	N		
3412	Department or employee name	C an..35	N		

**Comment:**

**Example:**  
CTA+SU'





# ORDERS

**Group:** **SG2** Status: R Max. Occ.: 99 NAD-SG5  
Lieferantenangaben

**Group:** **SG5** Status: C Max. Occ.: 5 CTA-COM  
Ansprechpartner Lieferant

**Segment:** **COM** Seq. No.: 16 Level: 3 **Communication contact**  
Status: C Max. Occ.: 5

**Name:** Communication contact

**Description of segment:**

EDIFACT			Application		
Tag	Name	St Format	St	Example	Use / Comments
C076	Communication contact	M	M		
3148	Communication number	M an..512	M	+02722/ 5520	Phone number
3155	Communication number code qualifier	M an..3	M	:TE'	<b>TE</b> = Telephone

**Comment:**

**Example:**  
COM+02722/5520:TE'



# ORDERS

**Group:** **SG2** Status: R Max. Occ.: 99 NAD-SG5  
Lieferantenangaben

**Group:** **SG5** Status: C Max. Occ.: 5 CTA-COM  
Ansprechpartner Lieferant

**Segment:** **COM** Seq. No.: 17 Level: 3 **Communication contact**  
Status: C Max. Occ.: 5

**Name:** Communication contact

**Description of segment:**

EDIFACT			Application		
Tag	Name	St Format	St	Example	Use / Comments
C076	Communication contact	M	M		
3148	Communication number	M an..512	M	+02722/ 5599	Telefax number
3155	Communication number code qualifier	M an..3	M	:FX'	<b>FX = Telefax</b>

**Comment:**

**Example:**  
COM+02722/5599:FX'



# ORDERS

**Group:** **SG2** Status: R Max. Occ.: 99 NAD-LOC-SG5

Angaben zum Warenempfänger (Partnerrolle WE im SAP)

**Segment:** **NAD** Seq. No.: 18 Level: 1 **Name and address**  
 Status: M Max. Occ.: 1

**Name:** Name and address

**Description of segment:**

EDIFACT				Application	
Tag	Name	St Format	St	Example	Use / Comments
3035	Party function code qualifier	M an..3	M	+CN	<b>CN = Consignee</b>
C082	Party identification details	C	R		
3039	Party identifier	M an..35	M	+0018	
1131	Code list identification code	C an..3	N		
3055	Code list responsible agency code	C an..3	N		
C058	Name and address	C	R		
3124	Name and address description	M an..35	M	+Benteler Automobilt ech.GmbH & Co.KG	
3124	Name and address description	C an..35	R	:Werk 18	
3124	Name and address description	C an..35	N		
3124	Name and address description	C an..35	N		
3124	Name and address description	C an..35	N		
C080	Party name	C	R		
3036	Party name	M an..35	M	+Hr. K.H. Leutheuser - Schnarren berger	
3036	Party name	C an..35	N		
3036	Party name	C an..35	N		
3036	Party name	C an..35	N		
3036	Party name	C an..35	N		
3045	Party name format code	C an..3	N		
C059	Street	C	R		
3042	Street and number or post office box identifier	M an..35	M	+Bellstr. 12	
3042	Street and number or post office box identifier	C an..35	N		
3042	Street and number or post office box identifier	C an..35	N		
3042	Street and number or post office box identifier	C an..35	N		
3164	City name	C an..35	R	+Schwand orf	
C819	Country sub-entity details	C	R		



## ORDERS

EDIFACT			Application		
Tag	Name	St Format	St	Example	Use / Comments
3229	Country sub-entity name code	C an..9	N	+	
1131	Code list identification code	C an..3	N	:	
3055	Code list responsible agency code	C an..3	N	:	
3228	Country sub-entity name	C an..35	R	:09	
3251	Postal identification code	C an..17	R	+92421	
3207	Country name code	C an..3	R	+DE'	

**Comment:**

**Example:**

NAD+CN+0018+Benteler Automobiltech.GmbH & Co.KG:Werk 18+Hr. K.H. Leutheuser-Schnarrenberger+Bellstr. 12+S



# ORDERS

**Group:** **SG2** Status: R Max. Occ.: 99 NAD-LOC-SG5

Angaben zum Warenempfänger (Partnerrolle WE im SAP)

**Segment:** **LOC** Seq. No.: 19 Level: 2 **Place/location identification**  
 Status: R Max. Occ.: 99

**Name:** Place/location identification

**Description of segment:**

EDIFACT				Application	
Tag	Name	St Format	St	Example	Use / Comments
3227	Location function code qualifier	M an..3	M	+11	<b>11 = Place/port of discharge</b>
C517	Location identification	C	C		
3225	Location name code	C an..25	R	+WE'	Place of discharge
1131	Code list identification code	C an..3	N		
3055	Code list responsible agency code	C an..3	N		
3224	Location name	C an..256	N		
C519	Related location one identification	C	N		
3223	First related location name code	C an..25	N		
1131	Code list identification code	C an..3	N		
3055	Code list responsible agency code	C an..3	N		
3222	First related location name	C an..70	N		
C553	Related location two identification	C	N		
3233	Second related location name code	C an..25	N		
1131	Code list identification code	C an..3	N		
3055	Code list responsible agency code	C an..3	N		
3232	Second related location name	C an..70	N		
5479	Relation code	C an..3	N		

**Comment:**

**Example:**  
 LOC+11+WE'



# ORDERS

**Group:** **SG2** Status: R Max. Occ.: 99 NAD-LOC-SG5  
 Angaben zum Warenempfänger (Partnerrolle WE im SAP)

**Group:** **SG5** Status: C Max. Occ.: 5 CTA

**Segment:** **CTA** Seq. No.: 20 Level: 2 **Contact information**  
 Status: M Max. Occ.: 1

**Name:** Contact information

**Description of segment:**

EDIFACT			Application		
Tag	Name	St Format	St	Example	Use / Comments
3139	Contact function code	C an..3	R	+BU	<b>BU = Ultimate consignee</b>
C056	Department or employee details	C	R		
3413	Department or employee name code	C an..17	N	+	
3412	Department or employee name	C an..35	R	:Herr Perlick-Frese'	

**Comment:**

**Example:**

CTA+BU+:Herr Perlick-Frese'



# ORDERS

**Group:** **SG2** Status: C Max. Occ.: 99 NAD  
 Third party service

**Segment:** **NAD** Seq. No.: 21 Level: 1 **Name and address**  
 Status: M Max. Occ.: 1

**Name:** Name and address

**Description of segment:**

EDIFACT				Application	
Tag	Name	St Format	St	Example	Use / Comments
3035	Party function code qualifier	M an..3	M	+COS	<b>COS = Co-participant</b> Third party service
C082	Party identification details	C	C		
3039	Party identifier	M an..35	M	+00004012 28'	Code for the third party
1131	Code list identification code	C an..3	N		
3055	Code list responsible agency code	C an..3	N		
C058	Name and address	C	N		
3124	Name and address description	M an..35	N		
3124	Name and address description	C an..35	N		
3124	Name and address description	C an..35	N		
3124	Name and address description	C an..35	N		
3124	Name and address description	C an..35	N		
C080	Party name	C	N		
3036	Party name	M an..35	N		
3036	Party name	C an..35	N		
3036	Party name	C an..35	N		
3036	Party name	C an..35	N		
3036	Party name	C an..35	N		
3045	Party name format code	C an..3	N		
C059	Street	C	N		
3042	Street and number or post office box identifier	M an..35	N		
3042	Street and number or post office box identifier	C an..35	N		
3042	Street and number or post office box identifier	C an..35	N		
3042	Street and number or post office box identifier	C an..35	N		
3164	City name	C an..35	N		
C819	Country sub-entity details	C	N		
3229	Country sub-entity name code	C an..9	N		
1131	Code list identification code	C an..3	N		
3055	Code list responsible agency code	C an..3	N		
3228	Country sub-entity name	C an..35	N		



## ORDERS

EDIFACT			Application		
Tag	Name	St Format	St	Example	Use / Comments
3251	Postal identification code	C an..17	N		
3207	Country name code	C an..3	N		

**Comment:**

**Example:**

NAD+COS+000401228'





# ORDERS

**Group:** **SG28** Status: C Max. Occ.: 200000 LIN-PIA-IMD-QTY-DTM-MOA-SG33

**Segment:** **LIN** Seq. No.: 22 Level: 1 **Line item**  
 Status: M Max. Occ.: 1

**Name:** Line item

**Description of segment:**

EDIFACT			Application		
Tag	Name	St Format	St	Example	Use / Comments
1082	Line item identifier	C an..6	R	+10	Number of the position on the order
1229	Action request/notification description code	C an..3	R	+990	Type of the position Used codes concerning material handling: 990=normal, 991=addition, 992=consignment, 993=wage handling, 995=direct routing, 999=table of performance
C212	Item number identification	C	R		
7140	Item identifier	C an..35	R	+4711	Vendor's (seller's) part number
7143	Item type identification code	C an..3	R	:VP'	<b>VP = Vendor's (seller's) part number</b>
1131	Code list identification code	C an..3	N		
3055	Code list responsible agency code	C an..3	N		
C829	Sub-line information	C	N		
5495	Sub-line indicator code	C an..3	N		
1082	Line item identifier	C an..6	N		
1222	Configuration level number	C n..2	N		
7083	Configuration operation code	C an..3	N		

**Comment:**

**Example:**

LIN+10+990+4711:VP'



# ORDERS

**Group:** **SG28** Status: C Max. Occ.: 200000 LIN-PIA-IMD-QTY-DTM-MOA-SG33

**Segment:** **PIA** Seq. No.: 23 Level: 2 **Additional product id**  
 Status: R Max. Occ.: 25

**Name:** Additional product id

**Description of segment:**

EDIFACT			Application		
Tag	Name	St Format	St	Example	Use / Comments
4347	Product identifier code qualifier	M an..3	M	+1	<b>1 = Additional identification</b>
C212	Item number identification	M	M		
7140	Item identifier	C an..35	R	+Schraube M5 aus Katalog über EBP	Client's (buyer's) item number
7143	Item type identification code	C an..3	R	:IN'	<b>IN = Buyer's item number</b>
1131	Code list identification code	C an..3	N		
3055	Code list responsible agency code	C an..3	N		
C212	Item number identification	C	N		
7140	Item identifier	C an..35	N		
7143	Item type identification code	C an..3	N		
1131	Code list identification code	C an..3	N		
3055	Code list responsible agency code	C an..3	N		
C212	Item number identification	C	N		
7140	Item identifier	C an..35	N		
7143	Item type identification code	C an..3	N		
1131	Code list identification code	C an..3	N		
3055	Code list responsible agency code	C an..3	N		
C212	Item number identification	C	N		
7140	Item identifier	C an..35	N		
7143	Item type identification code	C an..3	N		
1131	Code list identification code	C an..3	N		
3055	Code list responsible agency code	C an..3	N		
C212	Item number identification	C	N		
7140	Item identifier	C an..35	N		
7143	Item type identification code	C an..3	N		
1131	Code list identification code	C an..3	N		
3055	Code list responsible agency code	C an..3	N		

**Comment:**

**Example:**

PIA+1+Schraube M5 aus Katalog über EBP:IN'



# ORDERS

**Group:** **SG28** Status: C Max. Occ.: 200000 LIN-PIA-IMD-QTY-DTM-MOA-SG33

**Segment:** **IMD** Seq. No.: 24 Level: 2 **Item description**  
 Status: C Max. Occ.: 99

**Name:** **Item description**

**Description of segment:**

EDIFACT			Application			
Tag	Name	St Format	St	Example	Use / Comments	
7077	Description format code	C an..3	R	+A	<b>A = Free-form long description</b>	
C272	Item characteristic	C	N			
7081	Item characteristic code	C an..3	N	+		
1131	Code list identification code	C an..3	N			
3055	Code list responsible agency code	C an..3	N			
C273	Item description	C	C			
7009	Item description code	C an..17	N	+		
1131	Code list identification code	C an..3	N	:		
3055	Code list responsible agency code	C an..3	N	:		
7008	Item description	C an..256	R	:Schraube M5 aus Katalog über EBP'		Item description to client's article
7008	Item description	C an..256	N			
3453	Language name code	C an..3	N			
7383	Surface or layer code	C an..3	N			

**Comment:**

**Example:**

IMD+A+++:::Schraube M5 aus Katalog über EBP'



# ORDERS

**Group:** **SG28** Status: C Max. Occ.: 200000 LIN-PIA-IMD-QTY-DTM-MOA-SG33

**Segment:** **QTY** Seq. No.: 25 Level: 2 **Quantity**  
 Status: R Max. Occ.: 99

**Name:** Quantity

**Description of segment:**

EDIFACT			Application		
Tag	Name	St Format	St	Example	Use / Comments
C186	Quantity details	M	M		
6063	Quantity type code qualifier	M an..3	M	+78	<b>78 = Cumulative quantity scheduled</b>
6060	Quantity	M an..35	M	:70500.000	Cumulative quantity scheduled according to the contract
6411	Measurement unit code	C an..3	R	:C62'	<b>C62 = one</b> <b>KGM = Kilogram</b> <b>LTR = Litre</b> <b>PCE = Piece</b> <b>TNE = Tonne (metric ton)</b>

**Comment:**

**Example:**  
 QTY+78:70500.000:C62'



# ORDERS

**Group:** **SG28** Status: C Max. Occ.: 20000 LIN-PIA-IMD-QTY-DTM-MOA-SG33

**Segment:** **QTY** Seq. No.: 26 Level: 2 **Quantity**  
 Status: R Max. Occ.: 99

**Name:** Quantity

**Description of segment:**

EDIFACT			Application		
Tag	Name	St Format	St	Example	Use / Comments
C186	Quantity details	M	M		
6063	Quantity type code qualifier	M an..3	M	+21	<b>21 = Ordered quantity</b>
6060	Quantity	M an..35	M	:600.000	
6411	Measurement unit code	C an..3	R	:C62'	<b>C62 = one</b> <b>KGM = Kilogram</b> <b>LTR = Litre</b> <b>PCE = Piece</b> <b>TNE = Tonne (metric ton)</b>

**Comment:**

**Example:**  
 QTY+21:600.000:C62'



# ORDERS

**Group:** **SG28** Status: C Max. Occ.: 200000 LIN-PIA-IMD-QTY-DTM-MOA-SG33

**Segment:** **QTY** Seq. No.: 27 Level: 2 **Quantity**  
 Status: R Max. Occ.: 99

**Name:** Quantity

**Description of segment:**

EDIFACT			Application		
Tag	Name	St Format	St	Example	Use / Comments
C186	Quantity details	M	M		
6063	Quantity type code qualifier	M an..3	M	+129	<b>129</b> = Units per unit price
6060	Quantity	M an..35	M	:600.000	Units per unit price
6411	Measurement unit code	C an..3	R	:C62'	<b>C62</b> = one <b>KGM</b> = Kilogram <b>LTR</b> = Litre <b>PCE</b> = Piece <b>TNE</b> = Tonne (metric ton)

**Comment:**

**Example:**  
 QTY+129:600.000:C62'



# ORDERS

**Group:** **SG28** Status: C Max. Occ.: 200000 LIN-PIA-IMD-QTY-DTM-MOA-SG33

**Segment:** **DTM** Seq. No.: 28 Level: 2 **Date/time/period**  
 Status: R Max. Occ.: 35

**Name:** Date/time/period

**Description of segment:**

EDIFACT			Application		
Tag	Name	St Format	St	Example	Use / Comments
C507	Date/time/period	M	M		
2005	Date or time or period function code qualifier	M an..3	M	+50	<b>50 = Goods receipt date/time</b>
2380	Date or time or period value	C an..35	R	:20010511	Goods receipt date/time
2379	Date or time or period format code	C an..3	R	:102'	<b>102 = CCYYMMDD</b>

**Comment:**

**Example:**  
 DTM+50:20010511:102'



# ORDERS

**Group:** **SG28** Status: C Max. Occ.: 200000 LIN-PIA-IMD-QTY-DTM-MOA-SG33

**Segment:** **MOA** Seq. No.: 29 Level: 2 **Monetary amount**  
 Status: R Max. Occ.: 10

**Name:** Monetary amount

**Description of segment:**

EDIFACT			Application		
Tag	Name	St Format	St	Example	Use / Comments
C516	Monetary amount	M	M		
5025	Monetary amount type code qualifier	M an..3	M	+499	<b>499 = Total net amount excluding Value Added Tax (VAT)</b>
5004	Monetary amount	C n..35	R	:547.45'	
6345	Currency identification code	C an..3	N		
6343	Currency type code qualifier	C an..3	N		
4405	Status description code	C an..3	N		

**Comment:**

**Example:**  
 MOA+499:547.45'





# ORDERS

**Group:** **SG28** Status: C Max. Occ.: 200000 LIN-PIA-IMD-QTY-DTM-MOA-SG33

**Group:** **SG33** Status: R Max. Occ.: 9999 RFF-DTM

**Segment:** **RFF** Seq. No.: 30 Level: 2 **Reference**  
 Status: M Max. Occ.: 1

**Name:** Reference

**Description of segment:**

EDIFACT			Application		
Tag	Name	St Format	St	Example	Use / Comments
C506	Reference	M	M		
1153	Reference function code qualifier	M an..3	M	+BC	<b>BC = Buyer's contract number</b>
1154	Reference identifier	C an..35	R	: 006300013 6	
1156	Document line identifier	C an..6	C	:00010'	
4000	Reference version identifier	C an..35	N		
1060	Revision identifier	C an..6	N		

**Comment:**

**Example:**

RFF+BC:0063000136:00010'



# ORDERS

**Group:** **SG28** Status: C Max. Occ.: 20000 LIN-PIA-IMD-QTY-DTM-MOA-SG33

**Group:** **SG33** Status: R Max. Occ.: 9999 RFF-DTM

**Segment:** **DTM** Seq. No.: 31 Level: 3 **Date/time/period**  
 Status: C Max. Occ.: 5

**Name:** Date/time/period

**Description of segment:**

EDIFACT			Application		
Tag	Name	St Format	St	Example	Use / Comments
C507	Date/time/period	M	M		
2005	Date or time or period function code qualifier	M an..3	M	+183	<b>183 = Date, as at (it depends on the context)</b>
2380	Date or time or period value	C an..35	C	: 200105031 71528	Contract date and time
2379	Date or time or period format code	C an..3	C	:204'	<b>204 = CCYYMMDDHHMMSS</b>

**Comment:**

**Example:**

DTM+183:20010503171528:204'



# ORDERS

Segment: **UNS**      Seq. No.: 32      Level: 0      Section control  
 Status: M      Max. Occ.: 1

Name: Section control

Description of segment:

EDIFACT			Application		
Tag	Name	St Format	St	Example	Use / Comments
0081	Section identification	M a1	M	+S'	<b>S</b> = Detail/summary section separation

Comment:

Example:  
 UNS+S'



# ORDERS

Segment: **MOA**      Seq. No.: 33      Level: 1      Monetary amount  
 Status: R      Max. Occ.: 99

Name: Monetary amount

Description of segment:

EDIFACT			Application		
Tag	Name	St Format	St	Example	Use / Comments
C516	Monetary amount	M	M		
5025	Monetary amount type code qualifier	M an..3	M	+79	<b>79 = Total line items amount</b>
5004	Monetary amount	C n..35	C	:600.00	
6345	Currency identification code	C an..3	C	:EUR'	<b>EUR = Euro</b>
6343	Currency type code qualifier	C an..3	N		
4405	Status description code	C an..3	N		

Comment:

Example:  
 MOA+79:600.00:EUR'





## ORDERS

Segment:

**UNZ**Seq. No.: 35  
Status: MLevel: 0  
Max. Occ.: 1

Interchange trailer

Name: Interchange trailer

## Description of segment:

EDIFACT			Application		
Tag	Name	St Format	St	Example	Use / Comments
0036	Interchange control count	M n..6	M	+1	
0020	Interchange control reference	M an..14	M	+0014500146'	

Comment:

Example:

UNZ+1+0014500146'



## ORDERS

### 4. Code lists

List of permitted EDIFACT and user defined codes, sorted by data elements and codes

DE	Code	Code name	Segment / CDE
	220	Order	04 BGM C002
0001	UNOC	UN/ECE level C	02 UNB S001
0002	4	Version 4	02 UNB S001
0007	59	ODETTE (Organization for Data Exchange through Tele-Transmission in Europe)	02 UNB S002
0007	59	ODETTE (Organization for Data Exchange through Tele-Transmission in Europe)	02 UNB S003
0051	UN	UN/CEFACT	03 UNH S009
0052	D	Draft version/UN/EDIFACT Directory	03 UNH S009
0054	00A	Release 2000 - A	03 UNH S009
0081	S	Detail/summary section separation	32 UNS
1001	220	Order	04 BGM C002
1153	BC	Buyer's contract number	30 RFF C506
1153	ON	Order number	07 RFF C506
2005	183	Date, as at (it depends on the context)	31 DTM C507
2005	242	Preparation date/time of document	05 DTM C507
2005	4	Order date/time	08 DTM C507
2005	50	Goods receipt date/time	28 DTM C507
2379	102	CCYYMMDD	05 DTM C507
2379	102	CCYYMMDD	28 DTM C507
2379	204	CCYYMMDDHHMMSS	08 DTM C507
2379	204	CCYYMMDDHHMMSS	31 DTM C507
3035	BY	Buyer	09 NAD
3035	CN	Consignee	18 NAD
3035	COS	Co-participant	21 NAD
3035	SU	Supplier	14 NAD
3139	BU	Ultimate consignee	20 CTA
3139	MD	Material disposition contact	10 CTA
3139	SU	Supplier contact	15 CTA
3155	EM	electronic mail	13 COM C076
3155	FX	Telefax	12 COM C076
3155	FX	Telefax	17 COM C076
3155	TE	Telephone	11 COM C076
3155	TE	Telephone	16 COM C076
3227	11	Place/port of discharge	19 LOC



## ORDERS

### List of permitted EDIFACT and user defined codes, sorted by data elements and codes

DE	Code	Code name	Segment / CDE
3453	DE	German	06 FTX
4347	1	Additional identification	23 PIA
4451	CUR	Customer remarks	06 FTX
5025	499	Total net amount excluding Value Added Tax (VAT)	29 MOA C516
5025	79	Total line items amount	33 MOA C516
6063	129	Units per unit price	27 QTY C186
6063	21	Ordered quantity	26 QTY C186
6063	78	Cumulative quantity scheduled	25 QTY C186
6345	EUR	Euro	33 MOA C516
6411	C62	one	25 QTY C186
6411	C62	one	26 QTY C186
6411	C62	one	27 QTY C186
6411	KGM	Kilogram	25 QTY C186
6411	KGM	Kilogram	26 QTY C186
6411	KGM	Kilogram	27 QTY C186
6411	LTR	Litre	25 QTY C186
6411	LTR	Litre	26 QTY C186
6411	LTR	Litre	27 QTY C186
6411	PCE	Piece	25 QTY C186
6411	PCE	Piece	26 QTY C186
6411	PCE	Piece	27 QTY C186
6411	TNE	Tonne (metric ton)	25 QTY C186
6411	TNE	Tonne (metric ton)	26 QTY C186
6411	TNE	Tonne (metric ton)	27 QTY C186
7077	A	Free-form long description	24 IMD
7143	IN	Buyer's item number	23 PIA C212
7143	VP	Vendor's (seller's) part number	22 LIN C212







## ORDERS

18	<b>NAD</b>	NAD+CN+0018+Benteler Automobiltech.GmbH & Co.KG:Werk 18+Hr. K.H . Leutheuser-Schnarrenberger+Bellstr. 12+Schwandorf+:::09+92421 +DE'
19	<b>LOC</b>	LOC+11+WE'
	<b>SG5</b>	
20	<b>CTA</b>	CTA+BU+:Herr Perlick-Frese'
	<b>SG2</b>	
21	<b>NAD</b>	NAD+COS+0000401228'
	<b>SG28</b>	
22	<b>LIN</b>	LIN+10+990+4711:VP'
23	<b>PIA</b>	PIA+1+Schraube M5 aus Katalog über EBP:IN'
24	<b>IMD</b>	IMD+A++:::Schraube M5 aus Katalog über EBP'
25	<b>QTY</b>	QTY+78:70500.000:C62'
26	<b>QTY</b>	QTY+21:600.000:C62'
27	<b>QTY</b>	QTY+129:600.000:C62'
28	<b>DTM</b>	DTM+50:20010511:102'
29	<b>MOA</b>	MOA+499:547.45'
	<b>SG33</b>	
30	<b>RFF</b>	RFF+BC:0063000136:00010'
31	<b>DTM</b>	DTM+183:20010503171528:204'
32	<b>UNS</b>	UNS+S'
33	<b>MOA</b>	MOA+79:600.00:EUR'
34	<b>UNT</b>	UNT+32+1'
35	<b>UNZ</b>	UNZ+1+0014500146'