



Message Implementation Guideline

EDIFACT INVOIC D.00A

based on

INVOIC

Invoice message

UN D.00A S4

Version: 1.5
Issue date: 28.03.2019
Author: Benteler Business Services GmbH

1 Message Structure.....	2
2 Branching Diagram	4
3 Segments	9

Structure / Table of Contents

Counter	No	Tag	St	MaxOcc	Level	Content
0000	1	UNA	R	1	0	Service string advice
0000	2	UNB	M	1	0	INTERCHANGE HEADER
0010	3	UNH	M	1	0	MESSAGE HEADER
0020	4	BGM	M	1	0	BEGINNING OF MESSAGE
0030	5	DTM	M	1	1	DOCUMENT DATE
0030	6	DTM	O	1	1	PAYMENT DUE DATE
0120		SG1	O	1	1	ORIGINATOR REFERENCE
0130	7	RFF	M	1	1	Reference
0220		SG2	R	1	1	BUYER INFORMATION
0230	8	NAD	M	1	1	Name and address
0270		SG3	R	1	2	BUYER VAT ID
0280	9	RFF	M	1	2	Reference
0220		SG2	R	1	1	SELLER INFORMATION
0230	10	NAD	M	1	1	Name and address
0270		SG3	R	1	2	SELLER VAT ID
0280	11	RFF	M	1	2	Reference
0400		SG7	R	1	1	CURRENCY INFORMATION
0410	12	CUX	M	1	1	Currencies
1090		SG26	R	9999999	1	POSITION INFORMATION
1100	13	LIN	M	1	1	LINE ITEM
1110	14	PIA	D	1	2	ADDITIONAL PRODUCT ID
1140	15	QTY	R	1	2	DISCRETE QUANTITY
1170	16	DTM	O	1	2	RECEIPT DATE
1240		SG27	R	1	2	AMOUNT INFORMATION
1250	17	MOA	M	1	2	LINE ITEM AMOUNT
1320		SG29	O	1	2	PRICE INFORMATION
1330	18	PRI	M	1	2	PRICE DETAILS
1380		SG30	R	1	2	ORDER NUMBER
1390	19	RFF	M	1	2	DOCUMENT REFERENCE
1380		SG30	R	1	2	SUPPLIER DESPATCH ADVISE
1390	20	RFF	M	1	2	DESPATCH ADVICE
1380		SG30	O	1	2	DOCUMENT INFORMATION
1390	21	RFF	M	1	2	DOCUMENT REFERENCE
1380		SG30	D	4	2	ADDITIONAL INFORMATION
1390	22	RFF	M	1	2	REFERENCE
1540		SG34	R	1	2	TAX INFORMATION
1550	23	TAX	M	1	2	TAX
1560	24	MOA	R	1	3	TAX AMOUNT

Counter = Counter of segment/group within the standard
 No = Consecutive segment number
 MaxOcc = Maximum occurrence of the segment/group

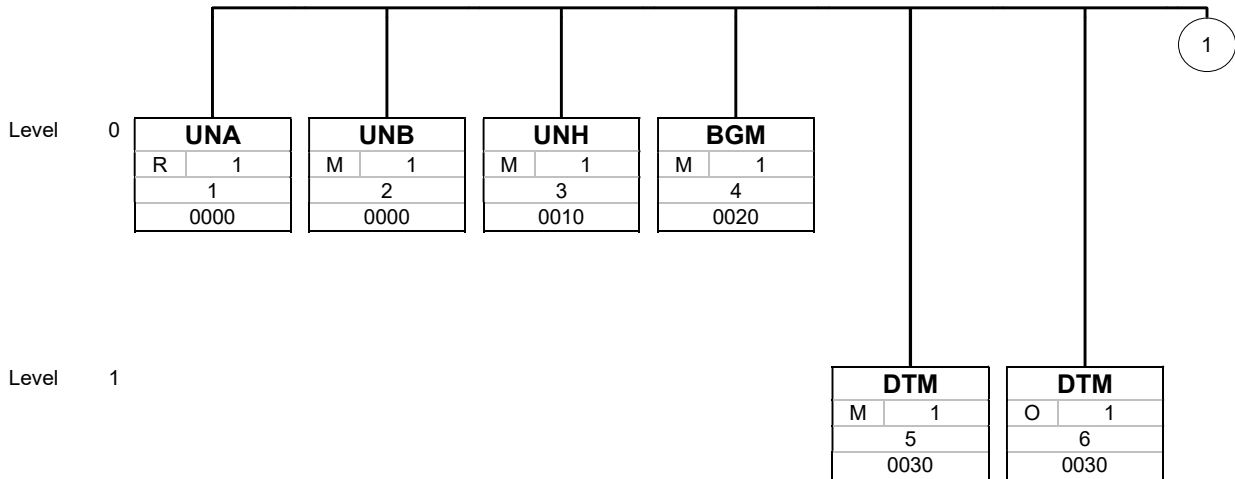
St = Status
 EDIFACT: M=Mandatory, C=Conditional
 User specific: R=Required, O=Optional, D=Dependent,
 A=Advised, N=Not used

Counter	No	Tag	St	MaxOcc	Level	Content
1580		SG35	R	1	2	CONSIGNEE INFORMATION
1590	25	NAD	M	1	2	Name and address
2160	26	UNS	M	1	0	SECTION CONTROL
2180		SG50	M	100	1	AMOUNT INFORMATION
2190	27	MOA	M	1	1	Monetary amount
2310	28	UNT	M	1	0	Message trailer
0000	29	UNZ	M	1	0	Interchange trailer

Counter = Counter of segment/group within the standard
 No = Consecutive segment number
 MaxOcc = Maximum occurrence of the segment/group

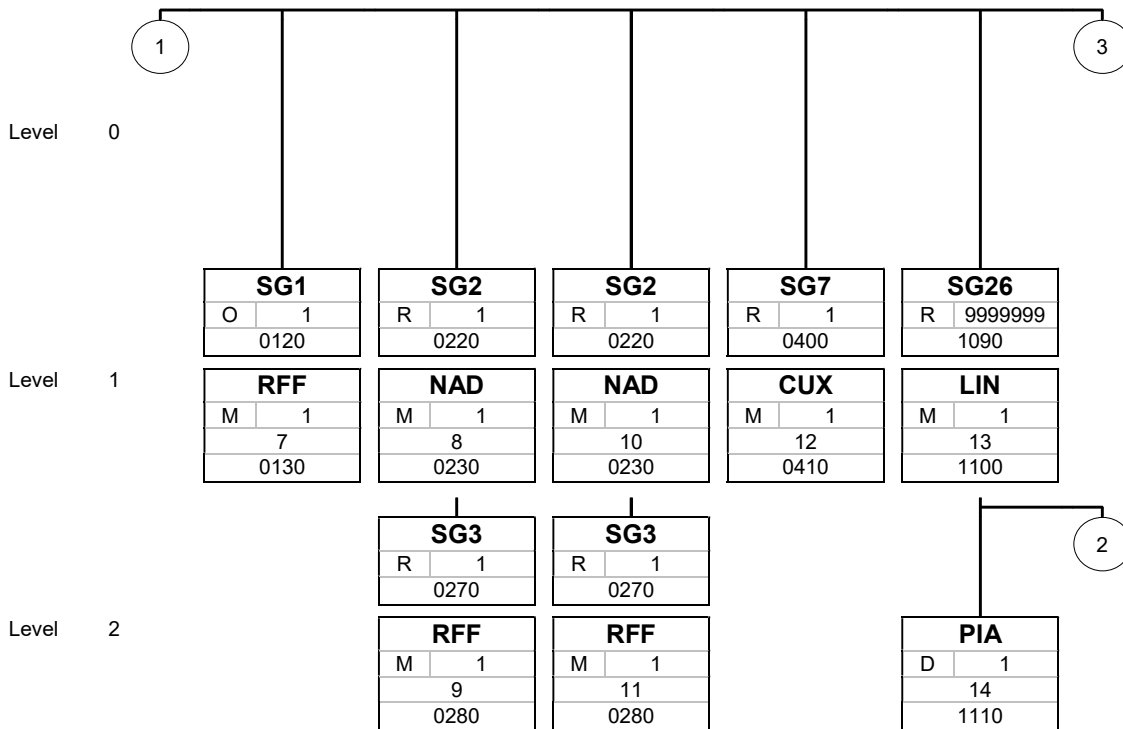
St = Status
 EDIFACT: M=Mandatory, C=Conditional
 User specific: R=Required, O=Optional, D=Dependent,
 A=Advised, N=Not used

Branching Diagram of Used Segments/Groups



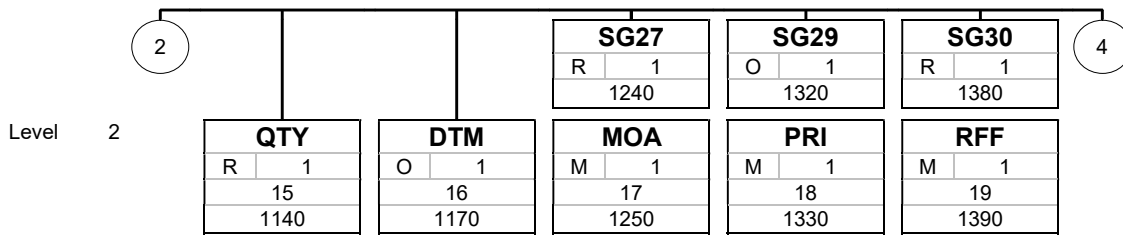
Tag
St MaxOcc
No
Counter

Tag = Segment/Group Tag
 St = Status (M=Mandatory, C=Conditional, R=Required, O=Optional, A=Advised, D=Dependent)
 MaxOcc = Maximum occurrence of the segment/group
 No = Consecutive segment number
 Counter = Counter of segment/group within the standard



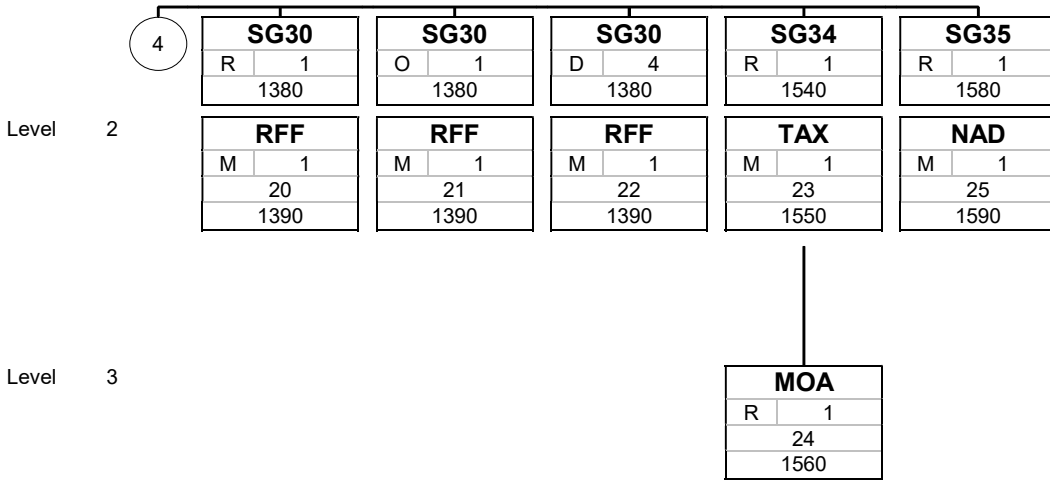
Tag
St MaxOcc
No
Counter

Tag = Segment/Group Tag
 St = Status (M=Mandatory, C=Conditional, R=Required, O=Optional, A=Advised, D=Dependent)
 MaxOcc = Maximum occurrence of the segment/group
 No = Consecutive segment number
 Counter = Counter of segment/group within the standard



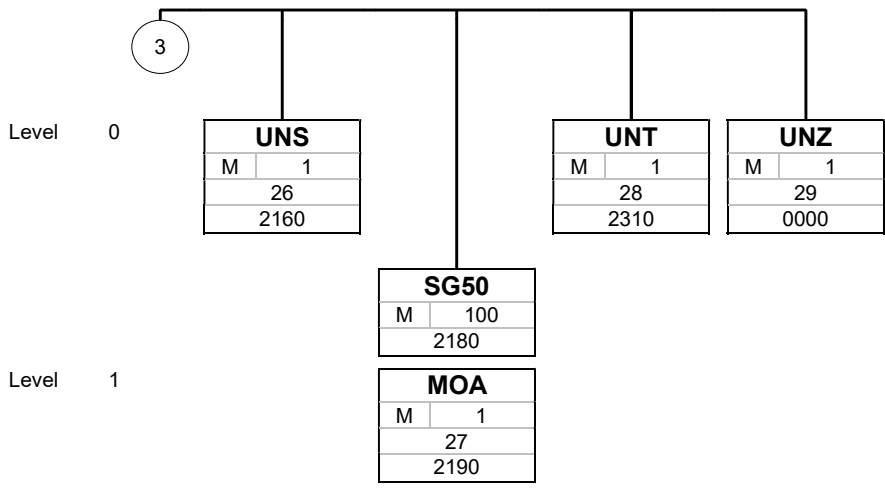
Tag
St MaxOcc
No
Counter

Tag = Segment/Group Tag
 St = Status (M=Mandatory, C=Conditional, R=Required, O=Optional, A=Advised, D=Dependent)
 MaxOcc = Maximum occurrence of the segment/group
 No = Consecutive segment number
 Counter = Counter of segment/group within the standard



Tag
St MaxOcc
No
Counter

Tag = Segment/Group Tag
 St = Status (M=Mandatory, C=Conditional, R=Required, O=Optional, A=Advised, D=Dependent)
 MaxOcc = Maximum occurrence of the segment/group
 No = Consecutive segment number
 Counter = Counter of segment/group within the standard



Tag
St MaxOcc
No
Counter

Tag = Segment/Group Tag
 St = Status (M=Mandatory, C=Conditional, R=Required, O=Optional, A=Advised, D=Dependent)
 MaxOcc = Maximum occurrence of the segment/group
 No = Consecutive segment number
 Counter = Counter of segment/group within the standard

Segments

Counter	No	Tag	St	MaxOcc	Level	Name
0000	1	UNA	R	1	0	Service string advice

Standard			Implementation	
Tag	Name	St Format	St Format	Usage / Remark
UNA				
UNA1	Component data element separator	M an1	M an1	
UNA2	Data element separator	M an1	M an1	
UNA3	Decimal mark	M an1	M an1	
UNA4	Release indicator	M an1	M an1	
UNA5	Repetition separator	M an1	M an1	
UNA6	Segment terminator	M an1	M an1	

Remark:

Example:

UNA:+. ?*'

No = Consecutive segment number
 MaxOcc = Maximum occurrence of the segment/group
 Counter = Counter of segment/group within the standard

St = Status
 EDIFACT: M=Mandatory, C=Conditional
 User specific: R=Required, O=Optional, D=Dependent,
 A=Advised, N=Not used

Counter	No	Tag	St	MaxOcc	Level	Name
---------	----	-----	----	--------	-------	------

0000 2 **UNB** M 1 0 INTERCHANGE HEADER

Standard			Implementation	
Tag	Name	St Format	St Format	Usage / Remark
UNB				
S001	Syntax identifier	M	M	
0001	Syntax identifier	M a4	M a4	UNOC UN/ECE level C
0002	Syntax version number	M an1	M an1	4 Version 4
0080	Service code list directory version number	C an..6	N	Not used
0133	Character encoding, coded	C an..3	N	Not used
S002	Interchange sender	M	M	
0004	Interchange sender identification	M an..35	M an..35	SENDER ID
0007	Identification code qualifier	C an..4	N	Not used
0008	Interchange sender internal identification	C an..35	N	Not used
0042	Interchange sender internal sub-identification	C an..35	N	Not used
S003	Interchange recipient	M	M	
0010	Interchange recipient identification	M an..35	M an..35	RECEIVER ID
0007	Identification code qualifier	C an..4	N	Not used
0014	Interchange recipient internal identification	C an..35	N	Not used
0046	Interchange recipient internal sub-identification	C an..35	N	Not used
S004	Date and time of preparation	M	M	
0017	Date	M n8	M n8	Format is CCYYMMDD
0019	Time	M n4	M n4	Format is HHMM
0020	Interchange control reference	M an..14	M an..14	Unique continuing transmission number, generated by the EDI system
S005	Recipient reference/password details	C	N	
0022	Recipient reference/password	M an..14	M an..14	
0025	Recipient reference/password qualifier	C an2	N	Not used
0026	Application reference	C an..14	R an..14	INVOIC
0029	Processing priority code	C a1	N	Not used
0031	Acknowledgement request	C n1	N	Not used
0032	Interchange agreement identifier	C an..35	N	Not used
0035	Test indicator	C n1	O n1	1 Interchange is a test

Remark:

Example:

UNB+UNOC:4+SENDERID+RECEIVERID+20160412:1357+0011100112++INVOIC+++++1'

No = Consecutive segment number
 MaxOcc = Maximum occurrence of the segment/group
 Counter = Counter of segment/group within the standard

St = Status
 EDIFACT: M=Mandatory, C=Conditional
 User specific: R=Required, O=Optional, D=Dependent,
 A=Advised, N=Not used

Counter	No	Tag	St	MaxOcc	Level	Name
---------	----	-----	----	--------	-------	------

0010 3 **UNH** M 1 0 MESSAGE HEADER

		Standard	Implementation	
Tag	Name	St Format	St Format	Usage / Remark
UNH				
0062	Message reference number	M an..14	M an..14	
S009	Message identifier	M	M	
0065	Message type	M an..6	M an..6	INVOIC Invoice message
0052	Message version number	M an..3	M an..3	D Draft version/UN/EDIFACT Directory
0054	Message release number	M an..3	M an..3	00A Release 2000 - A
0051	Controlling agency, coded	M an..3	M an..3	UN UN/CEFACT
0057	Association assigned code	C an..6	N	Not used
0110	Code list directory version number	C an..6	N	Not used
0113	Message type sub-function identification	C an..6	N	Not used
0068	Common access reference	C an..35	N	Not used
S010	Status of the transfer	C	N	
0070	Sequence of transfers	M n..2	N	Not used
0073	First and last transfer	C a1	N	Not used
S016	Message subset identification	C	N	
0115	Message subset identification	M an..14	N	Not used
0116	Message subset version number	C an..3	N	Not used
0118	Message subset release number	C an..3	N	Not used
0051	Controlling agency, coded	C an..3	N	Not used
S017	Message implementation guideline identification	C	N	
0121	Message implementation guideline identification	M an..14	N	Not used
0122	Message implementation guideline version number	C an..3	N	Not used
0124	Message implementation guideline release number	C an..3	N	Not used
0051	Controlling agency, coded	C an..3	N	Not used
S018	Scenario identification	C	N	
0127	Scenario identification	M an..14	N	Not used
0128	Scenario version number	C an..3	N	Not used
0130	Scenario release number	C an..3	N	Not used
0051	Controlling agency, coded	C an..3	N	Not used

Remark:

Example:

UNH+1+INVOIC:D:00A:UN'

No = Consecutive segment number
 MaxOcc = Maximum occurrence of the segment/group
 Counter = Counter of segment/group within the standard

St = Status
 EDIFACT: M=Mandatory, C=Conditional
 User specific: R=Required, O=Optional, D=Dependent,
 A=Advised, N=Not used

Counter	No	Tag	St	MaxOcc	Level	Name
---------	----	-----	----	--------	-------	------

0020	4	BGM	M	1	0	BEGINNING OF MESSAGE
------	---	------------	---	---	---	----------------------

Standard			Implementation	
Tag	Name	St Format	St Format	Usage / Remark
BGM				
C002	Document/message name	C	R	
1001	Document name code	C an..3	R an..3	381 Credit note
1131	Code list identification code	C an..3	N	Not used
3055	Code list responsible agency code	C an..3	N	Not used
1000	Document name	C an..35	N	Not used
C106	Document/message identification	C	R	
1004	Document identifier	C an..35	R an..35	Self billing invoice reference number
1056	Version identifier	C an..9	N	Not used
1060	Revision identifier	C an..6	N	Not used
1225	Message function code	C an..3	R an..3	9 Original
4343	Response type code	C an..3	N	Not used

Remark:

Example:

BGM+381+DE6000080002012016+9'

No = Consecutive segment number
 MaxOcc = Maximum occurrence of the segment/group
 Counter = Counter of segment/group within the standard

St = Status
 EDIFACT: M=Mandatory, C=Conditional
 User specific: R=Required, O=Optional, D=Dependent,
 A=Advised, N=Not used

Counter	No	Tag	St	MaxOcc	Level	Name
---------	----	-----	----	--------	-------	------

0030	5	DTM	M	1	1	DOCUMENT DATE
------	---	------------	---	---	---	---------------

Standard			Implementation	
Tag	Name	St Format	St Format	Usage / Remark
DTM				
C507	Date/time/period	M	M	
2005	Date or time or period function code qualifier	M an..3	M an..3	137 Document/message date/time
2380	Date or time or period value	C an..35	R an..35	Format = CCYYMMDD
2379	Date or time or period format code	C an..3	R an..3	102 CCYYMMDD

Remark:

Example:

DTM+137:20160304:102'

No = Consecutive segment number
 MaxOcc = Maximum occurrence of the segment/group
 Counter = Counter of segment/group within the standard

St = Status
 EDIFACT: M=Mandatory, C=Conditional
 User specific: R=Required, O=Optional, D=Dependent,
 A=Advised, N=Not used

Counter	No	Tag	St	MaxOcc	Level	Name
---------	----	-----	----	--------	-------	------

0030	6	DTM	O	1	1	PAYMENT DUE DATE
------	---	------------	---	---	---	------------------

Standard			Implementation	
Tag	Name	St Format	St Format	Usage / Remark
DTM				
C507	Date/time/period	M	M	
2005	Date or time or period function code qualifier	M an..3	M an..3	140 Payment due date
2380	Date or time or period value	C an..35	R an..35	Format = CCYYMMDD
2379	Date or time or period format code	C an..3	R an..3	102 CCYYMMDD

Remark:

Example:

DTM+140:20160306:102'

No = Consecutive segment number
 MaxOcc = Maximum occurrence of the segment/group
 Counter = Counter of segment/group within the standard

St = Status
 EDIFACT: M=Mandatory, C=Conditional
 User specific: R=Required, O=Optional, D=Dependent,
 A=Advised, N=Not used

Counter	No	Tag	St	MaxOcc	Level	Name
	0120	SG1	O	1	1	ORIGINATOR REFERENCE
	0130	7 RFF	M	1	1	Reference

Standard			Implementation	
Tag	Name	St Format	St Format	Usage / Remark
RFF				
C506	Reference	M	M	
1153	Reference function code qualifier	M an..3	M an..3	ABO Originator's reference
1154	Reference identifier	C an..35	R an..35	Reference number according to the application system (SAP R/3 IDoc number)
1156	Document line identifier	C an..6	N	Not used
4000	Reference version identifier	C an..35	N	Not used
1060	Revision identifier	C an..6	N	Not used

Remark:

Example:

RFF+ABO:2526012'

No = Consecutive segment number
 MaxOcc = Maximum occurrence of the segment/group
 Counter = Counter of segment/group within the standard

St = Status
 EDIFACT: M=Mandatory, C=Conditional
 User specific: R=Required, O=Optional, D=Dependent,
 A=Advised, N=Not used

Counter	No	Tag	St	MaxOcc	Level	Name
	0220	SG2	R	1	1	BUYER INFORMATION
	0230	NAD	M	1	1	Name and address

Standard			Implementation	
Tag	Name	St Format	St Format	Usage / Remark
NAD				
3035	Party function code qualifier	M an..3	M an..3	BY Buyer
C082	Party identification details	C	R	
3039	Party identifier	M an..35	M an..35	Buyer ID
1131	Code list identification code	C an..3	N	Not used
3055	Code list responsible agency code	C an..3	R an..3	92 Assigned by buyer or buyer's agent
C058	Name and address	C	N	
3124	Name and address description	M an..35	N	Not used
3124	Name and address description	C an..35	N	Not used
3124	Name and address description	C an..35	N	Not used
3124	Name and address description	C an..35	N	Not used
3124	Name and address description	C an..35	N	Not used
C080	Party name	C	R	Buyer Name
3036	Party name	M an..35	M an..35	
3036	Party name	C an..35	N	Not used
3036	Party name	C an..35	N	Not used
3036	Party name	C an..35	N	Not used
3036	Party name	C an..35	N	Not used
3045	Party name format code	C an..3	N	Not used
C059	Street	C	R	Buyer Street
3042	Street and number or post office box identifier	M an..35	M an..35	
3042	Street and number or post office box identifier	C an..35	N	Not used
3042	Street and number or post office box identifier	C an..35	N	Not used
3042	Street and number or post office box identifier	C an..35	N	Not used
3164	City name	C an..35	R an..35	Buyer City
C819	Country sub-entity details	C	N	
3229	Country sub-entity name code	C an..9	N	Not used
1131	Code list identification code	C an..3	N	Not used
3055	Code list responsible agency code	C an..3	N	Not used
3228	Country sub-entity name	C an..35	N	Not used
3251	Postal identification code	C an..17	R an..17	Buyer zip code
3207	Country name code	C an..3	R an..3	Buyer contry code (ISO)

Remark:

Example:

NAD+BY+58103020::92++Benteler+Musterstrasse 1+Paderborn++33016+DE'

No = Consecutive segment number
 MaxOcc = Maximum occurrence of the segment/group
 Counter = Counter of segment/group within the standard

St = Status
 EDIFACT: M=Mandatory, C=Conditional
 User specific: R=Required, O=Optional, D=Dependent,
 A=Advised, N=Not used

Counter	No	Tag	St	MaxOcc	Level	Name
	0270	SG3	R	1	2	BUYER VAT ID
	0280	9 RFF	M	1	2	Reference

Standard			Implementation	
Tag	Name	St Format	St Format	Usage / Remark
RFF				
C506	Reference	M	M	
1153	Reference function code qualifier	M an..3	M an..3	VA VAT registration number
1154	Reference identifier	C an..35	R an..35	
1156	Document line identifier	C an..6	N	Not used
4000	Reference version identifier	C an..35	N	Not used
1060	Revision identifier	C an..6	N	Not used

Remark:

Example:

RFF+VA:DE812754945 '

No = Consecutive segment number
 MaxOcc = Maximum occurrence of the segment/group
 Counter = Counter of segment/group within the standard

St = Status
 EDIFACT: M=Mandatory, C=Conditional
 User specific: R=Required, O=Optional, D=Dependent,
 A=Advised, N=Not used

Counter	No	Tag	St	MaxOcc	Level	Name
	0220	SG2	R	1	1	SELLER INFORMATION
	0230	10 NAD	M	1	1	Name and address

Standard			Implementation	
Tag	Name	St Format	St Format	Usage / Remark
NAD				
3035	Party function code qualifier	M an..3	M an..3	SE Seller
C082	Party identification details	C	R	
3039	Party identifier	M an..35	M an..35	Seller ID
1131	Code list identification code	C an..3	N	Not used
3055	Code list responsible agency code	C an..3	R an..3	92 Assigned by buyer or buyer's agent
C058	Name and address	C	N	
3124	Name and address description	M an..35	N	Not used
3124	Name and address description	C an..35	N	Not used
3124	Name and address description	C an..35	N	Not used
3124	Name and address description	C an..35	N	Not used
3124	Name and address description	C an..35	N	Not used
C080	Party name	C	R	
3036	Party name	M an..35	M an..35	Seller Name
3036	Party name	C an..35	N	Not used
3036	Party name	C an..35	N	Not used
3036	Party name	C an..35	N	Not used
3036	Party name	C an..35	N	Not used
3045	Party name format code	C an..3	N	Not used
C059	Street	C	R	Seller Street
3042	Street and number or post office box identifier	M an..35	M an..35	
3042	Street and number or post office box identifier	C an..35	N	Not used
3042	Street and number or post office box identifier	C an..35	N	Not used
3042	Street and number or post office box identifier	C an..35	N	Not used
3164	City name	C an..35	R an..35	Seller City
C819	Country sub-entity details	C	N	
3229	Country sub-entity name code	C an..9	N	Not used
1131	Code list identification code	C an..3	N	Not used
3055	Code list responsible agency code	C an..3	N	Not used
3228	Country sub-entity name	C an..35	N	Not used
3251	Postal identification code	C an..17	R an..17	Seller zip code
3207	Country name code	C an..3	R an..3	Seller country code (ISO)

Remark:

Example:

NAD+SE+2078800::92++Autohaus GmbH+Musterstrasse 2+Bielefeld++33602+DE'

No = Consecutive segment number
 MaxOcc = Maximum occurrence of the segment/group
 Counter = Counter of segment/group within the standard

St = Status
 EDIFACT: M=Mandatory, C=Conditional
 User specific: R=Required, O=Optional, D=Dependent,
 A=Advised, N=Not used

Counter	No	Tag	St	MaxOcc	Level	Name
	0270	SG3	R	1	2	SELLER VAT ID
	0280	11 RFF	M	1	2	Reference

Standard			Implementation	
Tag	Name	St Format	St Format	Usage / Remark
RFF				
C506	Reference	M	M	
1153	Reference function code qualifier	M an..3	M an..3	VA VAT registration number
1154	Reference identifier	C an..35	R an..35	
1156	Document line identifier	C an..6	N	Not used
4000	Reference version identifier	C an..35	N	Not used
1060	Revision identifier	C an..6	N	Not used

Remark:

Example:

RFF+VA:DE812754999'

No = Consecutive segment number
 MaxOcc = Maximum occurrence of the segment/group
 Counter = Counter of segment/group within the standard

St = Status
 EDIFACT: M=Mandatory, C=Conditional
 User specific: R=Required, O=Optional, D=Dependent,
 A=Advised, N=Not used

Counter	No	Tag	St	MaxOcc	Level	Name
	0400	SG7	R	1	1	CURRENCY INFORMATION
	0410	12 CUX	M	1	1	Currencies

Standard			Implementation	
Tag	Name	St Format	St Format	Usage / Remark
CUX				
C504	Currency details	C	R	
6347	Currency usage code qualifier	M an..3	M an..3	2 Reference currency
6345	Currency identification code	C an..3	R an..3	EUR Euro USD US Dollar Further codes can be used.
6343	Currency type code qualifier	C an..3	N	Not used
6348	Currency rate value	C n..4	N	Not used
C504	Currency details	C	D	If Exchange rate is available.
6347	Currency usage code qualifier	M an..3	M an..3	3 Target currency
6345	Currency identification code	C an..3	C an..3	EUR Euro USD US Dollar CZK Czech Koruna Further Currencies can be used.
6343	Currency type code qualifier	C an..3	N	Not used
6348	Currency rate value	C n..4	R n..4	Target Rate value
5402	Currency exchange rate	C n..12	N	Not used
6341	Exchange rate currency market identifier	C an..3	N	Not used

Remark:

Example:

CUX+2:EUR+3:CZK: :12.44'

No = Consecutive segment number
 MaxOcc = Maximum occurrence of the segment/group
 Counter = Counter of segment/group within the standard

St = Status
 EDIFACT: M=Mandatory, C=Conditional
 User specific: R=Required, O=Optional, D=Dependent,
 A=Advised, N=Not used

Counter	No	Tag	St	MaxOcc	Level	Name	
	1090	SG26	R	9999999	1	POSITION INFORMATION	
	1100	13	LIN	M	1	1	LINE ITEM

Standard			Implementation	
Tag	Name	St Format	St Format	Usage / Remark
LIN				
1082	Line item identifier	C an..6	N	Not used
1229	Action request/notification description code	C an..3	N	Not used
C212	Item number identification	C	R	
7140	Item identifier	C an..35	R an..35	Benteler material ID
7143	Item type identification code	C an..3	R an..3	IN Buyer's item number
1131	Code list identification code	C an..3	N	Not used
3055	Code list responsible agency code	C an..3	N	Not used
C829	Sub-line information	C	N	
5495	Sub-line indicator code	C an..3	N	Not used
1082	Line item identifier	C an..6	N	Not used
1222	Configuration level number	C n..2	N	Not used
7083	Configuration operation code	C an..3	N	Not used

Remark:

Example:

LIN+++27560970:IN'

No = Consecutive segment number
 MaxOcc = Maximum occurrence of the segment/group
 Counter = Counter of segment/group within the standard

St = Status
 EDIFACT: M=Mandatory, C=Conditional
 User specific: R=Required, O=Optional, D=Dependent,
 A=Advised, N=Not used

Counter	No	Tag	St	MaxOcc	Level	Name
1090		SG26	R	9999999	1	POSITION INFORMATION
1110	14	PIA	D	1	2	ADDITIONAL PRODUCT ID

Standard			Implementation	
Tag	Name	St Format	St Format	Usage / Remark
PIA				
4347	Product identifier code qualifier	M an..3	M an..3	1 Additional identification
C212	Item number identification	M	M	
7140	Item identifier	C an..35	R an..35	Production batch number (concerns only steel suppliers and is not used for production buying parts)
7143	Item type identification code	C an..3	N	Not used
1131	Code list identification code	C an..3	N	Not used
3055	Code list responsible agency code	C an..3	N	Not used
C212	Item number identification	C	N	
7140	Item identifier	C an..35	N	Not used
7143	Item type identification code	C an..3	N	Not used
1131	Code list identification code	C an..3	N	Not used
3055	Code list responsible agency code	C an..3	N	Not used
C212	Item number identification	C	N	
7140	Item identifier	C an..35	N	Not used
7143	Item type identification code	C an..3	N	Not used
1131	Code list identification code	C an..3	N	Not used
3055	Code list responsible agency code	C an..3	N	Not used
C212	Item number identification	C	N	
7140	Item identifier	C an..35	N	Not used
7143	Item type identification code	C an..3	N	Not used
1131	Code list identification code	C an..3	N	Not used
3055	Code list responsible agency code	C an..3	N	Not used

Remark:
Production batch number (concerns only steel suppliers and is not used for production buying parts)

Example:
PIA+1+XX111111'

No = Consecutive segment number
MaxOcc = Maximum occurrence of the segment/group
Counter = Counter of segment/group within the standard

St = Status
EDIFACT: M=Mandatory, C=Conditional
User specific: R=Required, O=Optional, D=Dependent,
A=Advised, N=Not used

Counter	No	Tag	St	MaxOcc	Level	Name
	1090	SG26	R	9999999	1	POSITION INFORMATION
	1140	15 QTY	R	1	2	DISCRETE QUANTITY

Standard			Implementation	
Tag	Name	St Format	St Format	Usage / Remark
QTY				
C186	Quantity details	M	M	
6063	Quantity type code qualifier	M an..3	M an..3	1 Discrete quantity
6060	Quantity	M an..35	M an..35	
6411	Measurement unit code	C an..3	R an..3	KGM kilogram C62 one LTR litre TNE tonne (metric ton) MTR metre Further codes can be used

Remark:

Example:

QTY+1:10999.989:KGM'

No = Consecutive segment number
 MaxOcc = Maximum occurrence of the segment/group
 Counter = Counter of segment/group within the standard

St = Status
 EDIFACT: M=Mandatory, C=Conditional
 User specific: R=Required, O=Optional, D=Dependent,
 A=Advised, N=Not used

Counter	No	Tag	St	MaxOcc	Level	Name
	1090	SG26	R	9999999	1	POSITION INFORMATION
	1170 16	DTM	O	1	2	RECEIPT DATE

Standard			Implementation	
Tag	Name	St Format	St Format	Usage / Remark
DTM				
C507	Date/time/period	M	M	
2005	Date or time or period function code qualifier	M an..3	M an..3	50 Goods receipt date/time
2380	Date or time or period value	C an..35	R an..35	
2379	Date or time or period format code	C an..3	R an..3	102 CCYYMMDD

Remark:

Example:

DTM+50:20160225:102'

No = Consecutive segment number
 MaxOcc = Maximum occurrence of the segment/group
 Counter = Counter of segment/group within the standard

St = Status
 EDIFACT: M=Mandatory, C=Conditional
 User specific: R=Required, O=Optional, D=Dependent,
 A=Advised, N=Not used

Counter	No	Tag	St	MaxOcc	Level	Name
	1240	SG27	R	1	2	AMOUNT INFORMATION
	1250	17 MOA	M	1	2	LINE ITEM AMOUNT

Standard			Implementation	
Tag	Name	St Format	St Format	Usage / Remark
MOA				
C516	Monetary amount	M	M	
5025	Monetary amount type code qualifier	M an..3	M an..3	203 Line item amount
5004	Monetary amount	C n..35	R n..35	Amount with two decimals
6345	Currency identification code	C an..3	N	Not used
6343	Currency type code qualifier	C an..3	N	Not used
4405	Status description code	C an..3	N	Not used

Remark:

Example:

MOA+203:6855.96'

No = Consecutive segment number
 MaxOcc = Maximum occurrence of the segment/group
 Counter = Counter of segment/group within the standard

St = Status
 EDIFACT: M=Mandatory, C=Conditional
 User specific: R=Required, O=Optional, D=Dependent,
 A=Advised, N=Not used

Counter	No	Tag	St	MaxOcc	Level	Name
	1320	SG29	O	1	2	PRICE INFORMATION
	1330	18 PRI	M	1	2	PRICE DETAILS

Standard			Implementation	
Tag	Name	St Format	St Format	Usage / Remark
PRI				
C509	Price information	C	R	
5125	Price code qualifier	M an..3	M an..3	AAA Calculation net
5118	Price amount	C n..15	R n..15	Price amount
5375	Price type code	C an..3	N	Not used
5387	Price specification code	C an..3	R an..3	CON Contract price
5284	Unit price basis value	C n..9	R n..9	Unit basis
6411	Measurement unit code	C an..3	R an..3	KGM kilogram LTR litre C62 one TNE tonne (metric ton) MTR metre Further codes can be used
5213	Sub-line item price change operation code	C an..3	N	Not used

Remark:

Example:

PRI+AAA:75.70::CON:100:KGM'

No = Consecutive segment number
 MaxOcc = Maximum occurrence of the segment/group
 Counter = Counter of segment/group within the standard

St = Status
 EDIFACT: M=Mandatory, C=Conditional
 User specific: R=Required, O=Optional, D=Dependent,
 A=Advised, N=Not used

Counter	No	Tag	St	MaxOcc	Level	Name
	1380	SG30	R	1	2	ORDER NUMBER
	1390	19 RFF	M	1	2	DOCUMENT REFERENCE

Standard			Implementation	
Tag	Name	St Format	St Format	Usage / Remark
RFF				
C506	Reference	M	M	
1153	Reference function code qualifier	M an..3	M an..3	ON Order number (purchase)
1154	Reference identifier	C an..35	R an..35	Benteler Order Number
1156	Document line identifier	C an..6	N	Not used
4000	Reference version identifier	C an..35	N	Not used
1060	Revision identifier	C an..6	N	Not used

Remark:

Example:

RFF+ON:72711316'

No = Consecutive segment number
 MaxOcc = Maximum occurrence of the segment/group
 Counter = Counter of segment/group within the standard

St = Status
 EDIFACT: M=Mandatory, C=Conditional
 User specific: R=Required, O=Optional, D=Dependent,
 A=Advised, N=Not used

Counter	No	Tag	St	MaxOcc	Level	Name
	1380	SG30	R	1	2	SUPPLIER DESPATCH ADVISE
	1390	20 RFF	M	1	2	DESPATCH ADVICE

Standard			Implementation	
Tag	Name	St Format	St Format	Usage / Remark
RFF				
C506	Reference	M	M	
1153	Reference function code qualifier	M an..3	M an..3	AAK Despatch advice number
1154	Reference identifier	C an..35	R an..35	Suppliers Despatch advise number
1156	Document line identifier	C an..6	N	Not used
4000	Reference version identifier	C an..35	N	Not used
1060	Revision identifier	C an..6	N	Not used

Remark:

Example:

RFF+AAK:52712929'

No = Consecutive segment number
 MaxOcc = Maximum occurrence of the segment/group
 Counter = Counter of segment/group within the standard

St = Status
 EDIFACT: M=Mandatory, C=Conditional
 User specific: R=Required, O=Optional, D=Dependent,
 A=Advised, N=Not used

Counter	No	Tag	St	MaxOcc	Level	Name
1380		SG30	O	1	2	DOCUMENT INFORMATION
1390	21	RFF	M	1	2	DOCUMENT REFERENCE

Standard			Implementation	
Tag	Name	St Format	St Format	Usage / Remark
RFF				
C506	Reference	M	M	
1153	Reference function code qualifier	M an..3	M an..3	DM Document number
1154	Reference identifier	C an..35	R an..35	Benteler consumption Document number
1156	Document line identifier	C an..6	N	Not used
4000	Reference version identifier	C an..35	N	Not used
1060	Revision identifier	C an..6	N	Not used

Remark:

Example:

RFF+DM:0022711316'

No = Consecutive segment number
 MaxOcc = Maximum occurrence of the segment/group
 Counter = Counter of segment/group within the standard

St = Status
 EDIFACT: M=Mandatory, C=Conditional
 User specific: R=Required, O=Optional, D=Dependent,
 A=Advised, N=Not used

Counter	No	Tag	St	MaxOcc	Level	Name
1380		SG30	D	4	2	ADDITIONAL INFORMATION Only for Steel/Tube suppliers.
1390	22	RFF	M	1	2	REFERENCE

Standard			Implementation	
Tag	Name	St Format	St Format	Usage / Remark
RFF				
C506	Reference	M	M	
1153	Reference function code qualifier	M an..3	M an..3	ACO Iron charge number BT Batch number/lot number ACQ Cold roll number ACP Hot roll number
1154	Reference identifier	C an..35	R an..35	
1156	Document line identifier	C an..6	N	Not used
4000	Reference version identifier	C an..35	N	Not used
1060	Revision identifier	C an..6	N	Not used

Remark:
This segment is used if the type of the product is a charging product

Example:
RFF+ACO:5424652554 '

No = Consecutive segment number
MaxOcc = Maximum occurrence of the segment/group
Counter = Counter of segment/group within the standard

St = Status
EDIFACT: M=Mandatory, C=Conditional
User specific: R=Required, O=Optional, D=Dependent,
A=Advised, N=Not used

Counter	No	Tag	St	MaxOcc	Level	Name
1540		SG34	R	1	2	TAX INFORMATION
1550	23	TAX	M	1	2	TAX

		Standard		Implementation	
Tag	Name	St	Format	St	Format / Remark
TAX					
5283	Duty or tax or fee function code qualifier	M	an..3	M	an..3 7 Tax
C241	Duty/tax/fee type	C		R	
5153	Duty or tax or fee type name code	C	an..3	R	an..3 VAT Value added tax
1131	Code list identification code	C	an..3	N	Not used
3055	Code list responsible agency code	C	an..3	N	Not used
5152	Duty or tax or fee type name	C	an..35	D	an..35 Tax description
C533	Duty/tax/fee account detail	C		N	
5289	Duty or tax or fee account code	M	an..6	N	Not used
1131	Code list identification code	C	an..3	N	Not used
3055	Code list responsible agency code	C	an..3	N	Not used
5286	Duty or tax or fee assessment basis value	C	an..15	N	Not used
C243	Duty/tax/fee detail	C		R	
5279	Duty or tax or fee rate description code	C	an..7	N	Not used
1131	Code list identification code	C	an..3	N	Not used
3055	Code list responsible agency code	C	an..3	N	Not used
5278	Duty or tax or fee rate description	C	an..17	R	an..17
5273	Duty or tax or fee rate basis code	C	an..12	N	Not used
1131	Code list identification code	C	an..3	N	Not used
3055	Code list responsible agency code	C	an..3	N	Not used
5305	Duty or tax or fee category code	C	an..3	N	Not used
3446	Party tax identifier	C	an..20	N	Not used
1227	Calculation sequence code	C	an..3	N	Not used

Remark:

Example:

TAX+7+VAT:::Ust ID for services 19 %+++:::19.00'

No = Consecutive segment number
 MaxOcc = Maximum occurrence of the segment/group
 Counter = Counter of segment/group within the standard

St = Status
 EDIFACT: M=Mandatory, C=Conditional
 User specific: R=Required, O=Optional, D=Dependent,
 A=Advised, N=Not used

Counter	No	Tag	St	MaxOcc	Level	Name
1540		SG34	R	1	2	TAX INFORMATION
1560	24	MOA	R	1	3	TAX AMOUNT

Standard			Implementation	
Tag	Name	St Format	St Format	Usage / Remark
MOA				
C516	Monetary amount	M	M	
5025	Monetary amount type code qualifier	M an..3	M an..3	124 Tax amount
5004	Monetary amount	C n..35	R n..35	Tax amount with two decimals
6345	Currency identification code	C an..3	N	Not used
6343	Currency type code qualifier	C an..3	N	Not used
4405	Status description code	C an..3	N	Not used

Remark:

Example:

MOA+124:1096.95'

No = Consecutive segment number
 MaxOcc = Maximum occurrence of the segment/group
 Counter = Counter of segment/group within the standard

St = Status
 EDIFACT: M=Mandatory, C=Conditional
 User specific: R=Required, O=Optional, D=Dependent,
 A=Advised, N=Not used

Counter	No	Tag	St	MaxOcc	Level	Name
1580		SG35	R	1	2	CONSIGNEE INFORMATION
1590	25	NAD	M	1	2	Name and address

Standard			Implementation	
Tag	Name	St Format	St Format	Usage / Remark
NAD				
3035	Party function code qualifier	M an..3	M an..3	CN Consignee
C082	Party identification details	C	R	
3039	Party identifier	M an..35	M an..35	Consignee ID
1131	Code list identification code	C an..3	N	Not used
3055	Code list responsible agency code	C an..3	R an..3	92 Assigned by buyer or buyer's agent
C058	Name and address	C	N	
3124	Name and address description	M an..35	N	Not used
3124	Name and address description	C an..35	N	Not used
3124	Name and address description	C an..35	N	Not used
3124	Name and address description	C an..35	N	Not used
3124	Name and address description	C an..35	N	Not used
C080	Party name	C	R	
3036	Party name	M an..35	M an..35	Consignee Name
3036	Party name	C an..35	N	Not used
3036	Party name	C an..35	N	Not used
3036	Party name	C an..35	N	Not used
3036	Party name	C an..35	N	Not used
3045	Party name format code	C an..3	N	Not used
C059	Street	C	R	
3042	Street and number or post office box identifier	M an..35	M an..35	Consignee Street
3042	Street and number or post office box identifier	C an..35	N	Not used
3042	Street and number or post office box identifier	C an..35	N	Not used
3042	Street and number or post office box identifier	C an..35	N	Not used
3164	City name	C an..35	R an..35	Consignee City
C819	Country sub-entity details	C	N	
3229	Country sub-entity name code	C an..9	N	Not used
1131	Code list identification code	C an..3	N	Not used
3055	Code list responsible agency code	C an..3	N	Not used
3228	Country sub-entity name	C an..35	N	Not used
3251	Postal identification code	C an..17	R an..17	Consignee zip code
3207	Country name code	C an..3	R an..3	Consignee country code (ISO)

Remark:

Example:

NAD+CN+0013::92++Benteler+Mustergasse 19+Paderborn++33106+DE'

No = Consecutive segment number
 MaxOcc = Maximum occurrence of the segment/group
 Counter = Counter of segment/group within the standard

St = Status
 EDIFACT: M=Mandatory, C=Conditional
 User specific: R=Required, O=Optional, D=Dependent,
 A=Advised, N=Not used

Counter	No	Tag	St	MaxOcc	Level	Name
---------	----	-----	----	--------	-------	------

2160	26	UNS	M	1	0	SECTION CONTROL
------	----	------------	---	---	---	-----------------

Standard			Implementation	
Tag	Name	St Format	St Format	Usage / Remark
UNS				
0081	Section identification	M a1	M a1	S Detail/summary section separation

Remark:

Example:

UNS+S'

No = Consecutive segment number
 MaxOcc = Maximum occurrence of the segment/group
 Counter = Counter of segment/group within the standard

St = Status
 EDIFACT: M=Mandatory, C=Conditional
 User specific: R=Required, O=Optional, D=Dependent,
 A=Advised, N=Not used

Counter	No	Tag	St	MaxOcc	Level	Name
	2180	SG50	M	100	1	AMOUNT INFORMATION
	2190	MOA	M	1	1	Monetary amount

Standard			Implementation	
Tag	Name	St Format	St Format	Usage / Remark
MOA				
C516	Monetary amount	M	M	
5025	Monetary amount type code qualifier	M an..3	M an..3	79 Total line items amount 77 Invoice amount 176 Message total duty/tax/fee amount
5004	Monetary amount	C n..35	R n..35	Amount with two decimals
6345	Currency identification code	C an..3	N	Not used
6343	Currency type code qualifier	C an..3	N	Not used
4405	Status description code	C an..3	N	Not used

Remark:

Example:

MOA+79:14335.19'

No = Consecutive segment number
 MaxOcc = Maximum occurrence of the segment/group
 Counter = Counter of segment/group within the standard

St = Status
 EDIFACT: M=Mandatory, C=Conditional
 User specific: R=Required, O=Optional, D=Dependent,
 A=Advised, N=Not used

Counter	No	Tag	St	MaxOcc	Level	Name
---------	----	-----	----	--------	-------	------

2310	28	UNT	M	1	0	Message trailer
------	----	------------	---	---	---	-----------------

Standard			Implementation	
Tag	Name	St Format	St Format	Usage / Remark
UNT				
0074	Number of segments in a message	M n..10	M n..10	
0062	Message reference number	M an..14	M an..14	

Remark:

Example:

UNT+26+1'

No = Consecutive segment number
 MaxOcc = Maximum occurrence of the segment/group
 Counter = Counter of segment/group within the standard

St = Status
 EDIFACT: M=Mandatory, C=Conditional
 User specific: R=Required, O=Optional, D=Dependent,
 A=Advised, N=Not used

Counter	No	Tag	St	MaxOcc	Level	Name
---------	----	-----	----	--------	-------	------

0000	29	UNZ	M	1	0	Interchange trailer
------	----	------------	---	---	---	---------------------

Standard			Implementation	
Tag	Name	St Format	St Format	Usage / Remark
UNZ				
0036	Interchange control count	M n..6	M n..6	
0020	Interchange control reference	M an..14	M an..14	Unique continuing transmission number, generated by the EDI system

Remark:

Example:

UNZ+1+0011100112'

No = Consecutive segment number
 MaxOcc = Maximum occurrence of the segment/group
 Counter = Counter of segment/group within the standard

St = Status
 EDIFACT: M=Mandatory, C=Conditional
 User specific: R=Required, O=Optional, D=Dependent,
 A=Advised, N=Not used