



Message Implementation Guideline

EDIFACT DELFOR D97A

based on

DELFOR
Delivery schedule message

UN D.97A S3

Version: 1.9
Issue date: 07.12.2021
Author: BENTELER Business Services GmbH

1 Message Structure.....	2
2 Branching Diagram	4
3 Segments	9

Structure / Table of Contents

Counter	No	Tag	St	MaxOcc	Level	Content
0000	1	UNA	O	1	0	SERVICE STRING ADVICE
0000	2	UNB	M	1	0	INTERCHANGE HEADER
0010	3	UNH	M	1	0	MESSAGE HEADER
0020	4	BGM	M	1	0	BEGINNING OF MESSAGE
0030	5	DTM	M	1	1	DOCUMENT DATE
0080		SG2	R	1	1	SUPPLIER INFORMATION
0090	6	NAD	M	1	1	NAME AND ADDRESS
0080		SG2	D	1	1	SHIP-FROM INFORMATION
0090	7	NAD	M	1	1	NAME AND ADDRESS
0080		SG2	O	1	1	CONTACT PARTY INFORMATION
0090	8	NAD	M	1	1	NAME AND ADDRESS
0190		SG6	R	9999	1	CUSTOMER DEMANDS
0200	9	GIS	M	1	1	GENERAL INDICATOR
0210		SG7	R	1	2	SHIP-TO INFORMATION
0220	10	NAD	M	1	2	NAME AND ADDRESS
0370		SG12	R	1	2	ITEM INFORMATION
0380	11	LIN	M	1	2	LINE ITEM
0390	12	PIA	O	1	3	ADDITIONAL PRODUCT ID
0400	13	IMD	O	1	3	ITEM DESCRIPTION
0450	14	LOC	D	1	3	PLACE OF DISCHARGE
0460	15	DTM	D	1	3	GOODS RECEIPT PROCESSING TIME
0480		SG13	R	1	3	ORDER INFORMATION
0490	16	RFF	M	1	3	REFERENCE
0480		SG13	D	1	3	DELIVERY SCHEDULE INFORMATION
0490	17	RFF	M	1	3	REFERENCE
0480		SG13	D	1	3	SPECIAL MATERIAL INSTRUCTION
0490	18	RFF	M	1	3	REFERENCE
0540		SG15	D	1	3	CUMULATIVE QUANTITY
0550	19	QTY	M	1	3	QUANTITY
0560	20	DTM	R	1	4	DATE/TIME/PERIOD
0540		SG15	D	1	3	RECEIVED QUANTITY
0550	21	QTY	M	1	3	QUANTITY
0570		SG16	O	1	4	SI INFORMATION
0580	22	RFF	M	1	4	REFERENCE
0590	23	DTM	O	1	5	DATE/TIME/PERIOD
0600		SG17	R	999	3	SCC-SG18
0610	24	SCC	M	1	3	SCHEDULING CONDITIONS
0620		SG18	R	999	4	QTY-DTM

Counter = Counter of segment/group within the standard
 No = Consecutive segment number
 MaxOcc = Maximum occurrence of the segment/group

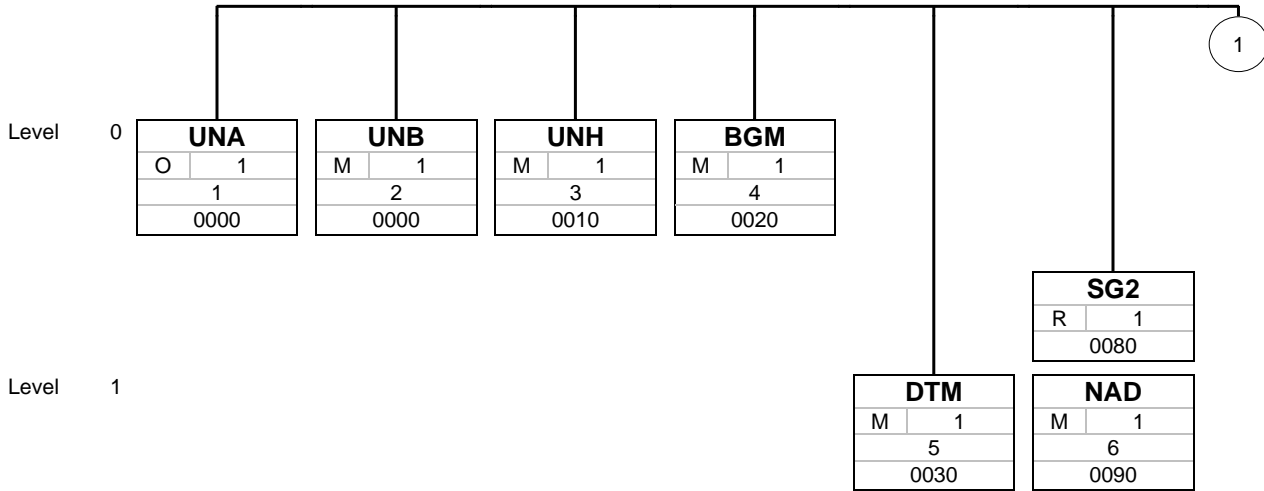
St = Status
 EDIFACT: M=Mandatory, C=Conditional
 User specific: R=Required, O=Optional, D=Dependent,
 A=Advised, N=Not used

Counter	No	Tag	St	MaxOcc	Level	Content	
	0630	25	QTY	M	1	4	QUANTITY
	0640	26	DTM	R	2	5	DATE/TIME/PERIOD
	0680	SG20	D	99	3	PACKAGE INFORMATION	
	0690	27	PAC	M	1	3	PACKAGE
	0700	28	MEA	O	10	4	PHYSICAL DIMENSIONS
	0710	29	QTY	D	1	4	QUANTITY
	1030	30	UNT	M	1	0	MESSAGE TRAILER
	0000	31	UNZ	M	1	0	INTERCHANGE TRAILER

Counter = Counter of segment/group within the standard
 No = Consecutive segment number
 MaxOcc = Maximum occurrence of the segment/group

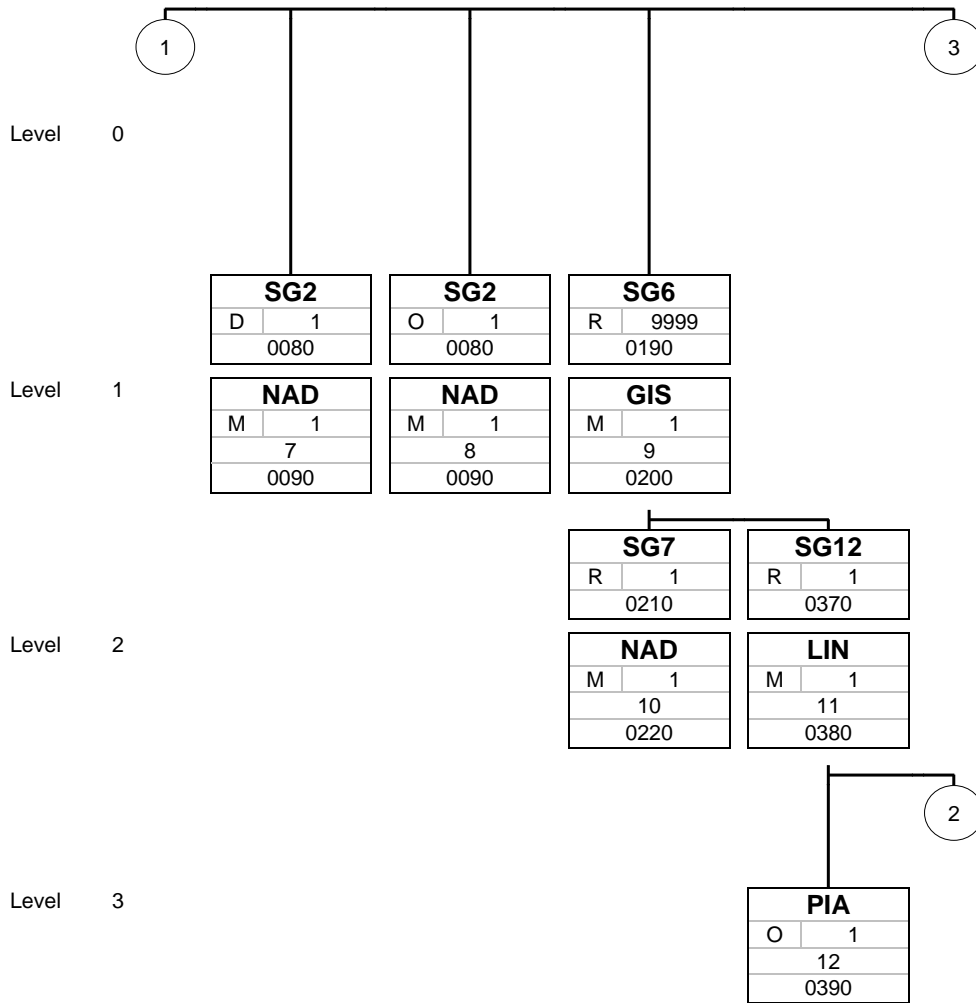
St = Status
 EDIFACT: M=Mandatory, C=Conditional
 User specific: R=Required, O=Optional, D=Dependent,
 A=Advised, N=Not used

Branching Diagram of Used Segments/Groups



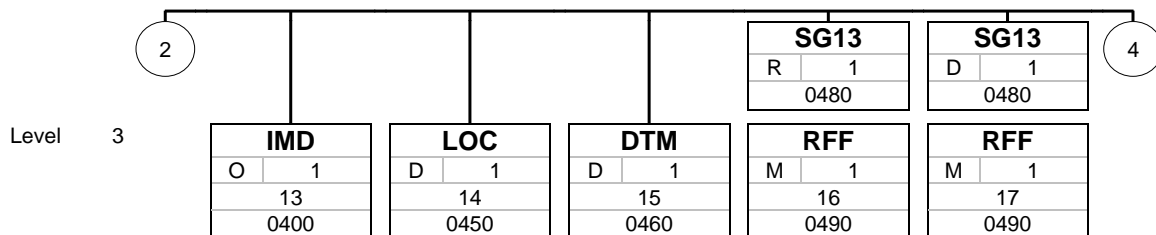
Tag
St MaxOcc
No
Counter

Tag = Segment/Group Tag
 St = Status (M=Mandatory, C=Conditional, R=Required, O=Optional, A=Advised, D=Dependent)
 MaxOcc = Maximum occurrence of the segment/group
 No = Consecutive segment number
 Counter = Counter of segment/group within the standard



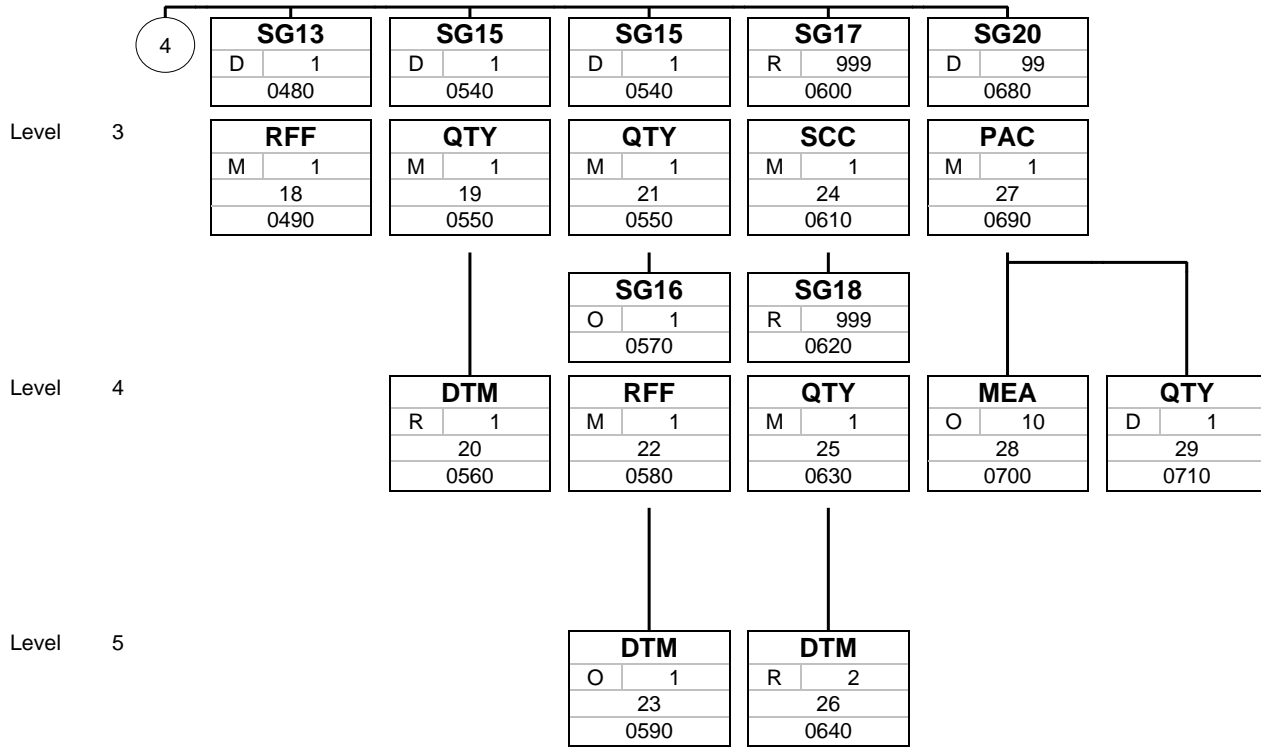
Tag
St MaxOcc
No
Counter

Tag = Segment/Group Tag
 St = Status (M=Mandatory, C=Conditional, R=Required, O=Optional, A=Advised, D=Dependent)
 MaxOcc = Maximum occurrence of the segment/group
 No = Consecutive segment number
 Counter = Counter of segment/group within the standard



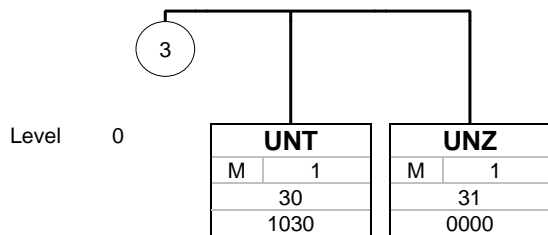
Tag
St MaxOcc
No
Counter

Tag = Segment/Group Tag
 St = Status (M=Mandatory, C=Conditional, R=Required, O=Optional, A=Advised, D=Dependent)
 MaxOcc = Maximum occurrence of the segment/group
 No = Consecutive segment number
 Counter = Counter of segment/group within the standard



Tag
St MaxOcc
No
Counter

Tag = Segment/Group Tag
 St = Status (M=Mandatory, C=Conditional, R=Required, O=Optional, A=Advised, D=Dependent)
 MaxOcc = Maximum occurrence of the segment/group
 No = Consecutive segment number
 Counter = Counter of segment/group within the standard



Tag
St MaxOcc
No
Counter

Tag = Segment/Group Tag
 St = Status (M=Mandatory, C=Conditional, R=Required, O=Optional, A=Advised, D=Dependent)
 MaxOcc = Maximum occurrence of the segment/group
 No = Consecutive segment number
 Counter = Counter of segment/group within the standard

Segments

Counter	No	Tag	St	MaxOcc	Level	Name
---------	----	-----	----	--------	-------	------

0000	1	UNA	O	1	0	SERVICE STRING ADVICE
------	---	------------	---	---	---	-----------------------

			Standard	Implementation		
Tag	Name	St	Format	St	Format	Usage / Remark
UNA						
UNA1	Component data element separator	M	an1	M	an1	:
UNA2	Data element separator	M	an1	M	an1	+
UNA3	Decimal notation	M	an1	M	an1	.
UNA4	Release indicator	M	an1	M	an1	?
UNA5	Reserved for future use	M	an1	M	an1	(empty)
UNA6	Segment terminator	M	an1	M	an1	'

Remark:

UNA will be send if agreed with BENTELER.

Example:

UNA: + . ? ' '

No = Consecutive segment number
 MaxOcc = Maximum occurrence of the segment/group
 Counter = Counter of segment/group within the standard

St = Status
 EDIFACT: M=Mandatory, C=Conditional
 User specific: R=Required, O=Optional, D=Dependent,
 A=Advised, N=Not used

Counter	No	Tag	St	MaxOcc	Level	Name
---------	----	-----	----	--------	-------	------

0000	2	UNB	M	1	0	INTERCHANGE HEADER
------	---	------------	---	---	---	--------------------

		Standard	Implementation	
Tag	Name	St Format	St Format	Usage / Remark
UNB				
S001	SYNTAX IDENTIFIER	M	M	
0001	Syntax identifier	M a4	M a4	UNOC UN/ECE level C UNOA UN/ECE level A UNOA can be used if agreed with BENTELER.
0002	Syntax version number	M n1	M n1	3 Version 3
S002	INTERCHANGE SENDER	M	M	
0004	Sender identification	M an..35	M an..35	BENTELER UNB ID
0007	Partner identification code qualifier	C an..4	N	Not used
0008	Address for reverse routing	C an..14	N	Not used
S003	INTERCHANGE RECIPIENT	M	M	
0010	Recipient identification	M an..35	M an..35	Supplier UNB ID
0007	Partner identification code qualifier	C an..4	N	Not used
0014	Routing address	C an..14	N	Not used
S004	DATE/TIME OF PREPARATION	M	M	
0017	Date of preparation	M n6	M n6	Document Date in YYMMDD
0019	Time of preparation	M n4	M n4	Document Time in HHMM
0020	Interchange control reference	M an..14	M an..14	Unique transmission number
S005	RECIPIENT'S REFERENCE PASSWORD	C	N	
0022	Recipient's reference/password	M an..14	N	Not used
0025	Recipient's reference/password qualifier	C an2	N	Not used
0026	Application reference	C an..14	N	Not used
0029	Processing priority code	C a1	N	Not used
0031	Acknowledgement request	C n1	N	Not used
0032	Communications agreement ID	C an..35	N	Not used
0035	Test indicator	C n1	O n1	1 Interchange is a test

Remark:

Example:

UNB+UNOC:3+00013000409BENTELEREDI23+000SUPPLIERUNBCODE+190218:1524+1293+++++1'

No = Consecutive segment number
MaxOcc = Maximum occurrence of the segment/group
Counter = Counter of segment/group within the standard

St = Status
EDIFACT: M=Mandatory, C=Conditional
User specific: R=Required, O=Optional, D=Dependent,
A=Advised, N=Not used

Counter	No	Tag	St	MaxOcc	Level	Name
---------	----	-----	----	--------	-------	------

0010	3	UNH	M	1	0	MESSAGE HEADER
------	---	------------	---	---	---	----------------

		Standard	Implementation	
Tag	Name	St Format	St Format	Usage / Remark
UNH				
0062	Message reference number	M an..14	M an..14	Reference Number
S009	MESSAGE IDENTIFIER	M	M	
0065	Message type identifier	M an..6	M an..6	DELFOR Delivery schedule message
0052	Message type version number	M an..3	M an..3	D Draft version/UN/EDIFACT Directory
0054	Message type release number	M an..3	M an..3	97A Release 1997 - A
0051	Controlling agency	M an..2	M an..2	UN UN/ECE/TRADE/WP.4
0057	Association assigned code	C an..6	N	Not used
0068	Common access reference	C an..35	N	Not used
S010	STATUS OF THE TRANSFER	C	N	
0070	Sequence message transfer number	M n..2	N	Not used
0073	First/last sequence message transfer indication	C a1	N	Not used

Remark:

Example:

UNH+1+DELFOR:D:97A:UN'

No = Consecutive segment number
 MaxOcc = Maximum occurrence of the segment/group
 Counter = Counter of segment/group within the standard

St = Status
 EDIFACT: M=Mandatory, C=Conditional
 User specific: R=Required, O=Optional, D=Dependent,
 A=Advised, N=Not used

Counter	No	Tag	St	MaxOcc	Level	Name
---------	----	-----	----	--------	-------	------

0020 4 **BGM** M 1 0 BEGINNING OF MESSAGE

		Standard	Implementation		
Tag	Name	St Format	St Format	Usage / Remark	
BGM					
C002	DOCUMENT/MESSAGE NAME	C	R		
1001	Document/message name, coded	C an..3	R an..3	241 Delivery schedule 242 Delivery just-in-time	
1131	Code list qualifier	C an..3	N	Not used	
3055	Code list responsible agency, coded	C an..3	N	Not used	
1000	Document/message name	C an..35	O an..35	PS - Planned shipment based - no authorization to ship	
C106	DOCUMENT/MESSAGE IDENTIFICATION	C	R		
1004	Document/message number	C an..35	R an..35	Unique forecast number	
1056	Version	C an..9	N	Not used	
1060	Revision number	C an..6	N	Not used	
1225	Message function, coded	C an..3	R an..3	9 Original	
4343	Response type, coded	C an..3	N	Not used	

Remark:

Example:

BGM+241:::PS+193949493+9'

No = Consecutive segment number
 MaxOcc = Maximum occurrence of the segment/group
 Counter = Counter of segment/group within the standard

St = Status
 EDIFACT: M=Mandatory, C=Conditional
 User specific: R=Required, O=Optional, D=Dependent,
 A=Advised, N=Not used

Counter	No	Tag	St	MaxOcc	Level	Name
---------	----	-----	----	--------	-------	------

0030	5	DTM	M	1	1	DOCUMENT DATE
------	---	------------	---	---	---	---------------

Standard			Implementation	
Tag	Name	St Format	St Format	Usage / Remark
DTM				
C507	DATE/TIME/PERIOD	M	M	
2005	Date/time/period qualifier	M an..3	M an..3	137 Document/message date/time
2380	Date/time/period	C an..35	R an..35	Document Date in format 'CCYYMMDDHHMM'
2379	Date/time/period format qualifier	C an..3	R an..3	203 CCYYMMDDHHMM

Remark:

Example:

DTM+137:201902181533:203'

No = Consecutive segment number
 MaxOcc = Maximum occurrence of the segment/group
 Counter = Counter of segment/group within the standard

St = Status
 EDIFACT: M=Mandatory, C=Conditional
 User specific: R=Required, O=Optional, D=Dependent,
 A=Advised, N=Not used

Counter	No	Tag	St	MaxOcc	Level	Name
0080		SG2	R	1	1	SUPPLIER INFORMATION
0090	6	NAD	M	1	1	NAME AND ADDRESS

Standard			Implementation	
Tag	Name	St Format	St Format	Usage / Remark
NAD				
3035	Party qualifier	M an..3	M an..3	SU Supplier
C082	PARTY IDENTIFICATION DETAILS	C	R	
3039	Party id. identification	M an..35	M an..35	Supplier ID
1131	Code list qualifier	C an..3	N	Not used
3055	Code list responsible agency, coded	C an..3	R an..3	92 Assigned by buyer or buyer's agent
C058	NAME AND ADDRESS	C	N	
3124	Name and address line	M an..35	N	Not used
3124	Name and address line	C an..35	N	Not used
3124	Name and address line	C an..35	N	Not used
3124	Name and address line	C an..35	N	Not used
3124	Name and address line	C an..35	N	Not used
C080	PARTY NAME	C	O	
3036	Party name	M an..35	M an..35	Supplier Name
3036	Party name	C an..35	N	Not used
3036	Party name	C an..35	N	Not used
3036	Party name	C an..35	N	Not used
3036	Party name	C an..35	N	Not used
3045	Party name format, coded	C an..3	N	Not used
C059	STREET	C	O	
3042	Street and number/p.o. box	M an..35	M an..35	Supplier Street
3042	Street and number/p.o. box	C an..35	N	Not used
3042	Street and number/p.o. box	C an..35	N	Not used
3042	Street and number/p.o. box	C an..35	N	Not used
3164	City name	C an..35	O an..35	Supplier City
3229	Country sub-entity identification	C an..9	N	Not used
3251	Postcode identification	C an..9	O an..9	Supplier ZIP code.
3207	Country, coded	C an..3	O an..3	DE GERMANY Further country codes can be used.

Remark:

Example:

NAD+SU+2000001::92++Tech Vibration+Supplier Street 1+City++39292+DE'

No = Consecutive segment number
 MaxOcc = Maximum occurrence of the segment/group
 Counter = Counter of segment/group within the standard

St = Status
 EDIFACT: M=Mandatory, C=Conditional
 User specific: R=Required, O=Optional, D=Dependent,
 A=Advised, N=Not used

Counter	No	Tag	St	MaxOcc	Level	Name
0080		SG2	D	1	1	SHIP-FROM INFORMATION
0090	7	NAD	M	1	1	NAME AND ADDRESS

Standard			Implementation	
Tag	Name	St Format	St Format	Usage / Remark
NAD				
3035	Party qualifier	M an..3	M an..3	SF Ship from
C082	PARTY IDENTIFICATION DETAILS	C	R	
3039	Party id. identification	M an..35	M an..35	Ship-from ID
1131	Code list qualifier	C an..3	N	Not used
3055	Code list responsible agency, coded	C an..3	R an..3	92 Assigned by buyer or buyer's agent
C058	NAME AND ADDRESS	C	N	
3124	Name and address line	M an..35	N	Not used
3124	Name and address line	C an..35	N	Not used
3124	Name and address line	C an..35	N	Not used
3124	Name and address line	C an..35	N	Not used
3124	Name and address line	C an..35	N	Not used
C080	PARTY NAME	C	O	
3036	Party name	M an..35	M an..35	Ship-from Name
3036	Party name	C an..35	N	Not used
3036	Party name	C an..35	N	Not used
3036	Party name	C an..35	N	Not used
3036	Party name	C an..35	N	Not used
3045	Party name format, coded	C an..3	N	Not used
C059	STREET	C	O	
3042	Street and number/p.o. box	M an..35	M an..35	Ship-from Street
3042	Street and number/p.o. box	C an..35	N	Not used
3042	Street and number/p.o. box	C an..35	N	Not used
3042	Street and number/p.o. box	C an..35	N	Not used
3164	City name	C an..35	O an..35	Ship-from City
3229	Country sub-entity identification	C an..9	N	Not used
3251	Postcode identification	C an..9	O an..9	Ship-from ZIP code.
3207	Country, coded	C an..3	O an..3	DE GERMANY Further country codes can be used.

Remark:

Example:

NAD+SF+2000002::92++Tech Vibration & Co+Supplier Street 2+City++39292+DE'

No = Consecutive segment number
 MaxOcc = Maximum occurrence of the segment/group
 Counter = Counter of segment/group within the standard

St = Status
 EDIFACT: M=Mandatory, C=Conditional
 User specific: R=Required, O=Optional, D=Dependent,
 A=Advised, N=Not used

Counter	No	Tag	St	MaxOcc	Level	Name
0080		SG2	O	1	1	CONTACT PARTY INFORMATION
0090	8	NAD	M	1	1	NAME AND ADDRESS

Standard			Implementation	
Tag	Name	St Format	St Format	Usage / Remark
NAD				
3035	Party qualifier	M an..3	M an..3	PK Contact party
C082	PARTY IDENTIFICATION DETAILS	C	O	
3039	Party id. identification	M an..35	M an..35	Contact Party - BENTELER MRP controller
1131	Code list qualifier	C an..3	N	Not used
3055	Code list responsible agency, coded	C an..3	R an..3	92 Assigned by buyer or buyer's agent
C058	NAME AND ADDRESS	C	N	
3124	Name and address line	M an..35	N	Not used
3124	Name and address line	C an..35	N	Not used
3124	Name and address line	C an..35	N	Not used
3124	Name and address line	C an..35	N	Not used
3124	Name and address line	C an..35	N	Not used
C080	PARTY NAME	C	O	
3036	Party name	M an..35	M an..35	Name of MRP planner
3036	Party name	C an..35	O an..35	Phone number of MRP planner
3036	Party name	C an..35	O an..35	eMail of MRP Planner (Part 1)
3036	Party name	C an..35	O an..35	eMail of MRP Planner (Part 2)
3036	Party name	C an..35	N	Not used
3045	Party name format, coded	C an..3	N	Not used
C059	STREET	C	N	
3042	Street and number/p.o. box	M an..35	N	Not used
3042	Street and number/p.o. box	C an..35	N	Not used
3042	Street and number/p.o. box	C an..35	N	Not used
3042	Street and number/p.o. box	C an..35	N	Not used
3164	City name	C an..35	N	Not used
3229	Country sub-entity identification	C an..9	N	Not used
3251	Postcode identification	C an..9	N	Not used
3207	Country, coded	C an..3	N	Not used

Remark:

Example:

NAD+PK+M01::92++Max Muster:4952551999999:example@benteler.com'

No = Consecutive segment number
 MaxOcc = Maximum occurrence of the segment/group
 Counter = Counter of segment/group within the standard

St = Status
 EDIFACT: M=Mandatory, C=Conditional
 User specific: R=Required, O=Optional, D=Dependent,
 A=Advised, N=Not used

Counter	No	Tag	St	MaxOcc	Level	Name
0190		SG6	R	9999	1	CUSTOMER DEMANDS
0200	9	GIS	M	1	1	GENERAL INDICATOR

Standard			Implementation	
Tag	Name	St Format	St Format	Usage / Remark
GIS				
C529	PROCESSING INDICATOR	M	M	
7365	Processing indicator, coded	M an..3	M an..3	37 Complete information
1131	Code list qualifier	C an..3	N	Not used
3055	Code list responsible agency, coded	C an..3	N	Not used
7187	Process type identification	C an..17	N	Not used

Remark:

Example:

GIS+37'

No = Consecutive segment number
 MaxOcc = Maximum occurrence of the segment/group
 Counter = Counter of segment/group within the standard

St = Status
 EDIFACT: M=Mandatory, C=Conditional
 User specific: R=Required, O=Optional, D=Dependent,
 A=Advised, N=Not used

Counter	No	Tag	St	MaxOcc	Level	Name
	0210	SG7	R	1	2	SHIP-TO INFORMATION
	0220	10 NAD	M	1	2	NAME AND ADDRESS

Standard			Implementation	
Tag	Name	St Format	St Format	Usage / Remark
NAD				
3035	Party qualifier	M an..3	M an..3	ST Ship to
C082	PARTY IDENTIFICATION DETAILS	C	R	
3039	Party id. identification	M an..35	M an..35	Ship-to ID
1131	Code list qualifier	C an..3	N	Not used
3055	Code list responsible agency, coded	C an..3	R an..3	92 Assigned by buyer or buyer's agent
C058 NAME AND ADDRESS				
3124	Name and address line	M an..35	N	Not used
3124	Name and address line	C an..35	N	Not used
3124	Name and address line	C an..35	N	Not used
3124	Name and address line	C an..35	N	Not used
3124	Name and address line	C an..35	N	Not used
C080 PARTY NAME				
3036	Party name	M an..35	M an..35	Ship-to Name
3036	Party name	C an..35	N	Not used
3036	Party name	C an..35	N	Not used
3036	Party name	C an..35	N	Not used
3036	Party name	C an..35	N	Not used
3045	Party name format, coded	C an..3	N	Not used
C059 STREET				
3042	Street and number/p.o. box	M an..35	M an..35	Ship-to Street
3042	Street and number/p.o. box	C an..35	N	Not used
3042	Street and number/p.o. box	C an..35	N	Not used
3042	Street and number/p.o. box	C an..35	N	Not used
3164	City name	C an..35	O an..35	Ship-to City
3229	Country sub-entity identification	C an..9	N	Not used
3251	Postcode identification	C an..9	O an..9	Ship-to ZIP code.
3207	Country, coded	C an..3	O an..3	DE GERMANY Further codes can be used.

Remark:

Example:

NAD+ST+0017::92++Benteler plant+Bentelerstreet 11+Paderborn++33104+DE'

No = Consecutive segment number
 MaxOcc = Maximum occurrence of the segment/group
 Counter = Counter of segment/group within the standard

St = Status
 EDIFACT: M=Mandatory, C=Conditional
 User specific: R=Required, O=Optional, D=Dependent,
 A=Advised, N=Not used

Counter	No	Tag	St	MaxOcc	Level	Name
0370		SG12	R	1	2	ITEM INFORMATION
0380	11	LIN	M	1	2	LINE ITEM

Standard			Implementation	
Tag	Name	St Format	St Format	Usage / Remark
LIN				
1082	Line item number	C an..6	N	Not used
1229	Action request/notification, coded	C an..3	N	Not used
C212	ITEM NUMBER IDENTIFICATION	C	R	
7140	Item number	C an..35	R an..35	Customer Material
7143	Item number type, coded	C an..3	R an..3	IN Buyer's item number
1131	Code list qualifier	C an..3	N	Not used
3055	Code list responsible agency, coded	C an..3	N	Not used
C829	SUB-LINE INFORMATION	C	N	
5495	Sub-line indicator, coded	C an..3	N	Not used
1082	Line item number	C an..6	N	Not used
1222	Configuration level	C n..2	N	Not used
7083	Configuration, coded	C an..3	N	Not used

Remark:

Example:

LIN+++50002023:IN'

No = Consecutive segment number
 MaxOcc = Maximum occurrence of the segment/group
 Counter = Counter of segment/group within the standard

St = Status
 EDIFACT: M=Mandatory, C=Conditional
 User specific: R=Required, O=Optional, D=Dependent,
 A=Advised, N=Not used

Counter	No	Tag	St	MaxOcc	Level	Name
0370		SG12	R	1	2	ITEM INFORMATION
0390	12	PIA	O	1	3	ADDITIONAL PRODUCT ID

Standard			Implementation	
Tag	Name	St Format	St Format	Usage / Remark
PIA				
4347	Product id. function qualifier	M an..3	M an..3	1 Additional identification
C212	ITEM NUMBER IDENTIFICATION	M	M	
7140	Item number	C an..35	R an..35	Change level identification If there is no change level assigned to a part, Benteler will send a '-'. EC Engineering change level
7143	Item number type, coded	C an..3	R an..3	
1131	Code list qualifier	C an..3	N	Not used
3055	Code list responsible agency, coded	C an..3	N	Not used
C212	ITEM NUMBER IDENTIFICATION	C	O	
7140	Item number	C an..35	O an..35	Supplier articel number. SA Supplier's article number
7143	Item number type, coded	C an..3	O an..3	
1131	Code list qualifier	C an..3	N	Not used
3055	Code list responsible agency, coded	C an..3	N	Not used
C212	ITEM NUMBER IDENTIFICATION	C	N	
7140	Item number	C an..35	N	Not used
7143	Item number type, coded	C an..3	N	Not used
1131	Code list qualifier	C an..3	N	Not used
3055	Code list responsible agency, coded	C an..3	N	Not used
C212	ITEM NUMBER IDENTIFICATION	C	N	
7140	Item number	C an..35	N	Not used
7143	Item number type, coded	C an..3	N	Not used
1131	Code list qualifier	C an..3	N	Not used
3055	Code list responsible agency, coded	C an..3	N	Not used
C212	ITEM NUMBER IDENTIFICATION	C	N	
7140	Item number	C an..35	N	Not used
7143	Item number type, coded	C an..3	N	Not used
1131	Code list qualifier	C an..3	N	Not used
3055	Code list responsible agency, coded	C an..3	N	Not used

Remark:

Example:

PIA+1+-:EC+20001181:SA'

No = Consecutive segment number
 MaxOcc = Maximum occurrence of the segment/group
 Counter = Counter of segment/group within the standard

St = Status
 EDIFACT: M=Mandatory, C=Conditional
 User specific: R=Required, O=Optional, D=Dependent,
 A=Advised, N=Not used

Counter	No	Tag	St	MaxOcc	Level	Name
	0370	SG12	R	1	2	ITEM INFORMATION
	0400	13 IMD	O	1	3	ITEM DESCRIPTION

Standard			Implementation	
Tag	Name	St Format	St Format	Usage / Remark
IMD				
7077	Item description type, coded	C an..3	R an..3	E Free-form short description
7081	Item characteristic, coded	C an..3	N	Not used
C273	ITEM DESCRIPTION	C	O	
7009	Item description identification	C an..17	N	Not used
1131	Code list qualifier	C an..3	N	Not used
3055	Code list responsible agency, coded	C an..3	N	Not used
7008	Item description	C an..35	O an..35	BENTELER Article description.
7008	Item description	C an..35	N	Not used
3453	Language, coded	C an..3	N	Not used
7383	Surface/layer indicator, coded	C an..3	N	Not used

Remark:

Example:

IMD+E++:::Wheel Bearing TB'

No = Consecutive segment number
 MaxOcc = Maximum occurrence of the segment/group
 Counter = Counter of segment/group within the standard

St = Status
 EDIFACT: M=Mandatory, C=Conditional
 User specific: R=Required, O=Optional, D=Dependent,
 A=Advised, N=Not used

Counter	No	Tag	St	MaxOcc	Level	Name
0370		SG12	R	1	2	ITEM INFORMATION
0450	14	LOC	D	1	3	PLACE OF DISCHARGE

		Standard	Implementation	
Tag	Name	St Format	St Format	Usage / Remark
LOC				
3227	Place/location qualifier	M an..3	M an..3	11 Place/port of discharge
C517	LOCATION IDENTIFICATION	C	R	
3225	Place/location identification	C an..25	R an..25	Place of discharge.
1131	Code list qualifier	C an..3	N	Not used
3055	Code list responsible agency, coded	C an..3	N	Not used
3224	Place/location	C an..70	N	Not used
C519	RELATED LOCATION ONE IDENTIFICATION	C	N	
3223	Related place/location one identification	C an..25	N	Not used
1131	Code list qualifier	C an..3	N	Not used
3055	Code list responsible agency, coded	C an..3	N	Not used
3222	Related place/location one	C an..70	N	Not used
C553	RELATED LOCATION TWO IDENTIFICATION	C	N	
3233	Related place/location two identification	C an..25	N	Not used
1131	Code list qualifier	C an..3	N	Not used
3055	Code list responsible agency, coded	C an..3	N	Not used
3232	Related place/location two	C an..70	N	Not used
5479	Relation, coded	C an..3	N	Not used

Remark:
Will be used only with special agreement with BENTELER.

Example:
LOC+11+0017'

No = Consecutive segment number
MaxOcc = Maximum occurrence of the segment/group
Counter = Counter of segment/group within the standard

St = Status
EDIFACT: M=Mandatory, C=Conditional
User specific: R=Required, O=Optional, D=Dependent,
A=Advised, N=Not used

Counter	No	Tag	St	MaxOcc	Level	Name
	0370	SG12	R	1	2	ITEM INFORMATION
	0460	15 DTM	D	1	3	GOODS RECEIPT PROCESSING TIME

		Standard	Implementation	
Tag	Name	St Format	St Format	Usage / Remark
DTM				
C507	DATE/TIME/PERIOD	M	M	
2005	Date/time/period qualifier	M an..3	M an..3	324 Processing date/period
2380	Date/time/period	C an..35	R an..35	Amount of days for the Goods Receipt process.
2379	Date/time/period format qualifier	C an..3	R an..3	804 Day

Remark:

If agreed with BENTELER the supplier will receive the amount of days for the Goods receipt process.

Example:

DTM+324:2:804'

No = Consecutive segment number
 MaxOcc = Maximum occurrence of the segment/group
 Counter = Counter of segment/group within the standard

St = Status
 EDIFACT: M=Mandatory, C=Conditional
 User specific: R=Required, O=Optional, D=Dependent,
 A=Advised, N=Not used

Counter	No	Tag	St	MaxOcc	Level	Name
0480		SG13	R	1	3	ORDER INFORMATION
0490	16	RFF	M	1	3	REFERENCE

Standard			Implementation	
Tag	Name	St Format	St Format	Usage / Remark
RFF				
C506	REFERENCE	M	M	
1153	Reference qualifier	M an..3	M an..3	ON Order number (purchase)
1154	Reference number	C an..35	R an..35	Order number
1156	Line number	C an..6	O an..6	Order line number
4000	Reference version number	C an..35	N	Not used

Remark:

Example:

RFF+ON:50013430:00010'

No = Consecutive segment number
 MaxOcc = Maximum occurrence of the segment/group
 Counter = Counter of segment/group within the standard

St = Status
 EDIFACT: M=Mandatory, C=Conditional
 User specific: R=Required, O=Optional, D=Dependent,
 A=Advised, N=Not used

Counter	No	Tag	St	MaxOcc	Level	Name	
	0480	SG13	D	1	3	DELIVERY SCHEDULE INFORMATION	
	0490	17	RFF	M	1	3	REFERENCE

Standard			Implementation	
Tag	Name	St Format	St Format	Usage / Remark
RFF				
C506	REFERENCE	M	M	
1153	Reference qualifier	M an..3	M an..3	AAN Delivery schedule number
1154	Reference number	C an..35	R an..35	Delivery schedule number
1156	Line number	C an..6	N	Not used
4000	Reference version number	C an..35	N	Not used

Remark:

Example:

RFF+AAN:16'

No = Consecutive segment number
 MaxOcc = Maximum occurrence of the segment/group
 Counter = Counter of segment/group within the standard

St = Status
 EDIFACT: M=Mandatory, C=Conditional
 User specific: R=Required, O=Optional, D=Dependent,
 A=Advised, N=Not used

Counter	No	Tag	St	MaxOcc	Level	Name
0480		SG13	D	1	3	SPECIAL MATERIAL INSTRUCTION Will be only used with BENTELER agreement.
0490	18	RFF	M	1	3	REFERENCE

Standard			Implementation	
Tag	Name	St Format	St Format	Usage / Remark
RFF				
C506	REFERENCE	M	M	
1153	Reference qualifier	M an..3	M an..3	AJK Special instructions number
1154	Reference number	C an..35	R an..35	J - Material will also have JIT Delivery schedule. P - Material will also have Pick-up sheet process. JP - Material will have JIT Delivery schedule and Pick-up sheet process.
1156	Line number	C an..6	N	Not used
4000	Reference version number	C an..35	N	Not used

Remark:

Example:

RFF+AJK:JP'

No = Consecutive segment number
 MaxOcc = Maximum occurrence of the segment/group
 Counter = Counter of segment/group within the standard

St = Status
 EDIFACT: M=Mandatory, C=Conditional
 User specific: R=Required, O=Optional, D=Dependent,
 A=Advised, N=Not used

Counter	No	Tag	St	MaxOcc	Level	Name
	0540	SG15	D	1	3	CUMULATIVE QUANTITY
	0550	QTY	M	1	3	QUANTITY

Standard			Implementation	
Tag	Name	St Format	St Format	Usage / Remark
QTY				
C186	QUANTITY DETAILS	M	M	
6063	Quantity qualifier	M an..3	M an..3	70 Cumulative quantity received
6060	Quantity	M n..15	M n..15	Cumulative quantity
6411	Measure unit qualifier	C an..3	R an..3	C62 one Further codes can be used.

Remark:

Example:

QTY+70:9592:C62'

No = Consecutive segment number
 MaxOcc = Maximum occurrence of the segment/group
 Counter = Counter of segment/group within the standard

St = Status
 EDIFACT: M=Mandatory, C=Conditional
 User specific: R=Required, O=Optional, D=Dependent,
 A=Advised, N=Not used

Counter	No	Tag	St	MaxOcc	Level	Name
0540		SG15	D	1	3	CUMULATIVE QUANTITY
0560	20	DTM	R	1	4	DATE/TIME/PERIOD

Standard			Implementation	
Tag	Name	St Format	St Format	Usage / Remark
DTM				
C507	DATE/TIME/PERIOD	M	M	
2005	Date/time/period qualifier	M an..3	M an..3	51 Cumulative quantity start date
2380	Date/time/period	C an..35	R an..35	Format date CCYYMMDD
2379	Date/time/period format qualifier	C an..3	R an..3	102 CCYYMMDD

Remark:

Example:

DTM+51:20210804:102'

No = Consecutive segment number
 MaxOcc = Maximum occurrence of the segment/group
 Counter = Counter of segment/group within the standard

St = Status
 EDIFACT: M=Mandatory, C=Conditional
 User specific: R=Required, O=Optional, D=Dependent,
 A=Advised, N=Not used

Counter	No	Tag	St	MaxOcc	Level	Name
	0540	SG15	D	1	3	RECEIVED QUANTITY
	0550	21 QTY	M	1	3	QUANTITY

Standard			Implementation	
Tag	Name	St Format	St Format	Usage / Remark
QTY				
C186	QUANTITY DETAILS	M	M	
6063	Quantity qualifier	M an..3	M an..3	48 Received quantity
6060	Quantity	M n..15	M n..15	Cumulative quantity
6411	Measure unit qualifier	C an..3	R an..3	C62 one
Further codes can be used.				

Remark:

Example:

QTY+48:1800:C62'

No = Consecutive segment number
 MaxOcc = Maximum occurrence of the segment/group
 Counter = Counter of segment/group within the standard

St = Status
 EDIFACT: M=Mandatory, C=Conditional
 User specific: R=Required, O=Optional, D=Dependent,
 A=Advised, N=Not used

Counter	No	Tag	St	MaxOcc	Level	Name
0570		SG16	O	1	4	SI INFORMATION
0580	22	RFF	M	1	4	REFERENCE

Standard			Implementation	
Tag	Name	St Format	St Format	Usage / Remark
RFF				
C506	REFERENCE	M	M	
1153	Reference qualifier	M an..3	M an..3	SI SID (Shipper's identifying number for shipment)
1154	Reference number	C an..35	C an..35	Shippers identifying number
1156	Line number	C an..6	N	Not used
4000	Reference version number	C an..35	N	Not used

Remark:

Example:

RFF+SI:516731'

No = Consecutive segment number
 MaxOcc = Maximum occurrence of the segment/group
 Counter = Counter of segment/group within the standard

St = Status
 EDIFACT: M=Mandatory, C=Conditional
 User specific: R=Required, O=Optional, D=Dependent,
 A=Advised, N=Not used

Counter	No	Tag	St	MaxOcc	Level	Name
0570		SG16	O	1	4	SI INFORMATION
0590	23	DTM	O	1	5	DATE/TIME/PERIOD

Standard			Implementation	
Tag	Name	St Format	St Format	Usage / Remark
DTM				
C507	DATE/TIME/PERIOD	M	M	
2005	Date/time/period qualifier	M an..3	M an..3	50 Goods receipt date/time
2380	Date/time/period	C an..35	R an..35	Date format CCYYMMDD
2379	Date/time/period format qualifier	C an..3	R an..3	102 CCYYMMDD

Remark:

Example:

DTM+50:20210723:102'

No = Consecutive segment number
 MaxOcc = Maximum occurrence of the segment/group
 Counter = Counter of segment/group within the standard

St = Status
 EDIFACT: M=Mandatory, C=Conditional
 User specific: R=Required, O=Optional, D=Dependent,
 A=Advised, N=Not used

Counter	No	Tag	St	MaxOcc	Level	Name
0600		SG17	R	999	3	SCC-SG18
0610	24	SCC	M	1	3	SCHEDULING CONDITIONS

Standard			Implementation	
Tag	Name	St Format	St Format	Usage / Remark
SCC				
4017	Delivery plan status indicator, coded	M an..3	M an..3	1 Firm 3 Commitment for material 4 Planning/forecast 10 Immediate
4493	Delivery requirements, coded	C an..3	N	Not used
C329	PATTERN DESCRIPTION	C	R	
2013	Frequency, coded	C an..3	R an..3	D Discrete M Monthly (calendar months) W Weekly
2015	Despatch pattern, coded	C an..3	N	Not used
2017	Despatch pattern timing, coded	C an..3	N	Not used

Remark:

Example:

SCC+1++D'

No = Consecutive segment number
 MaxOcc = Maximum occurrence of the segment/group
 Counter = Counter of segment/group within the standard

St = Status
 EDIFACT: M=Mandatory, C=Conditional
 User specific: R=Required, O=Optional, D=Dependent,
 A=Advised, N=Not used

Counter	No	Tag	St	MaxOcc	Level	Name
0620		SG18	R	999	4	QTY-DTM
0630	25	QTY	M	1	4	QUANTITY

Standard			Implementation	
Tag	Name	St Format	St Format	Usage / Remark
QTY				
C186	QUANTITY DETAILS	M	M	
6063	Quantity qualifier	M an..3	M an..3	1 Discrete quantity
6060	Quantity	M n..15	M n..15	Discrete quantity
6411	Measure unit qualifier	C an..3	R an..3	C62 one
Further codes can be used.				

Remark:

Example:

QTY+1:200:C62'

No = Consecutive segment number
 MaxOcc = Maximum occurrence of the segment/group
 Counter = Counter of segment/group within the standard

St = Status
 EDIFACT: M=Mandatory, C=Conditional
 User specific: R=Required, O=Optional, D=Dependent,
 A=Advised, N=Not used

Counter	No	Tag	St	MaxOcc	Level	Name
0620		SG18	R	999	4	QTY-DTM
0640	26	DTM	R	2	5	DATE/TIME/PERIOD

Standard			Implementation	
Tag	Name	St Format	St Format	Usage / Remark
DTM				
C507	DATE/TIME/PERIOD	M	M	
2005	Date/time/period qualifier	M an..3	M an..3	10 Shipment date/time, requested
2380	Date/time/period	C an..35	R an..35	Shipment date/time
2379	Date/time/period format qualifier	C an..3	R an..3	102 CCYYMMDD 203 CCYYMMDDHHMM

Remark:

Example:

DTM+10:20210814:102'

No = Consecutive segment number
 MaxOcc = Maximum occurrence of the segment/group
 Counter = Counter of segment/group within the standard

St = Status
 EDIFACT: M=Mandatory, C=Conditional
 User specific: R=Required, O=Optional, D=Dependent,
 A=Advised, N=Not used

Counter	No	Tag	St	MaxOcc	Level	Name
0680		SG20	D	99	3	PACKAGE INFORMATION
Will be used when agreed with BENTELER.						
0690	27	PAC	M	1	3	PACKAGE

		Standard	Implementation		
Tag	Name	St Format	St Format	Usage / Remark	
PAC					
7224	Number of packages	C n..8	R n..8	Amount of packages per packaging unit	
C531	PACKAGING DETAILS	C	R		
7075	Packaging level, coded	C an..3	R an..3	1 Inner 2 Intermediate 3 Outer	
7233	Packaging related information, coded	C an..3	N	Not used	
7073	Packaging terms and conditions, coded	C an..3	N	Not used	
C202	PACKAGE TYPE	C	R		
7065	Type of packages identification	C an..17	R an..17	BENTELER packagin code.	
1131	Code list qualifier	C an..3	N	Not used	
3055	Code list responsible agency, coded	C an..3	R an..3	92 Assigned by buyer or buyer's agent	
7064	Type of packages	C an..35	O an..35	BENTELER package item description.	
C402	PACKAGE TYPE IDENTIFICATION	C	N		
7077	Item description type, coded	M an..3	N	Not used	
7064	Type of packages	M an..35	N	Not used	
7143	Item number type, coded	C an..3	N	Not used	
7064	Type of packages	C an..35	N	Not used	
7143	Item number type, coded	C an..3	N	Not used	
C532	RETURNABLE PACKAGE DETAILS	C	N		
8395	Returnable package freight payment responsibility, coded	C an..3	N	Not used	
8393	Returnable package load contents, coded	C an..3	N	Not used	

Remark:

Example:

PAC+1+1+30000624::92:Package description'

No = Consecutive segment number
 MaxOcc = Maximum occurrence of the segment/group
 Counter = Counter of segment/group within the standard

St = Status
 EDIFACT: M=Mandatory, C=Conditional
 User specific: R=Required, O=Optional, D=Dependent,
 A=Advised, N=Not used

Counter	No	Tag	St	MaxOcc	Level	Name
0680		SG20	D	99	3	PACKAGE INFORMATION
Will be used when agreed with BENTELER.						
0700	28	MEA	O	10	4	PHYSICAL DIMENSIONS

		Standard	Implementation		
Tag	Name	St Format	St Format	Usage / Remark	
MEA					
6311	Measurement purpose qualifier	M an..3	M an..3	AAY Package measurement	
C502	MEASUREMENT DETAILS	C	R		
6313	Property measured, coded	C an..3	R an..3	G Gross weight N Actual net weight LN Length dimension WD Width dimension HT Height dimension	
6321	Measurement significance, coded	C an..3	N	Not used	
6155	Measurement attribute identification	C an..17	N	Not used	
6154	Measurement attribute	C an..70	N	Not used	
C174	VALUE/RANGE	C	R		
6411	Measure unit qualifier	M an..3	M an..3	KGM kilogram MMT millimetre Further codes can be used.	
6314	Measurement value	C an..18	R an..18		
6162	Range minimum	C n..18	N	Not used	
6152	Range maximum	C n..18	N	Not used	
6432	Significant digits	C n..2	N	Not used	
7383	Surface/layer indicator, coded	C an..3	N	Not used	

Remark:

Example:

MEA+AAY+G+KGM:250.000'

No = Consecutive segment number
 MaxOcc = Maximum occurrence of the segment/group
 Counter = Counter of segment/group within the standard

St = Status
 EDIFACT: M=Mandatory, C=Conditional
 User specific: R=Required, O=Optional, D=Dependent,
 A=Advised, N=Not used

Counter	No	Tag	St	MaxOcc	Level	Name
0680		SG20	D	99	3	PACKAGE INFORMATION
Will be used when agreed with BENTELER.						
0710	29	QTY	D	1	4	QUANTITY

Standard			Implementation	
Tag	Name	St Format	St Format	Usage / Remark
QTY				
C186	QUANTITY DETAILS	M	M	
6063	Quantity qualifier	M an..3	R an..3	52 Quantity per pack
6060	Quantity	M n..15	M n..15	
6411	Measure unit qualifier	C an..3	R an..3	Further codes can be used. C62 one

Remark:

Only used for inner and outer packaging.

Example:

QTY+52:9:C62'

No = Consecutive segment number
 MaxOcc = Maximum occurrence of the segment/group
 Counter = Counter of segment/group within the standard

St = Status
 EDIFACT: M=Mandatory, C=Conditional
 User specific: R=Required, O=Optional, D=Dependent,
 A=Advised, N=Not used

Counter	No	Tag	St	MaxOcc	Level	Name
1030	30	UNT	M	1	0	MESSAGE TRAILER

Standard			Implementation	
Tag	Name	St Format	St Format	Usage / Remark
UNT				
0074	Number of segments in a message	M n..6	M n..6	
0062	Message reference number	M an..14	M an..14	

Remark:

Example:
UNT+28+1'

No = Consecutive segment number
 MaxOcc = Maximum occurrence of the segment/group
 Counter = Counter of segment/group within the standard

St = Status
 EDIFACT: M=Mandatory, C=Conditional
 User specific: R=Required, O=Optional, D=Dependent,
 A=Advised, N=Not used

Counter	No	Tag	St	MaxOcc	Level	Name
---------	----	-----	----	--------	-------	------

0000	31	UNZ	M	1	0	INTERCHANGE TRAILER
------	----	------------	---	---	---	---------------------

Standard			Implementation	
Tag	Name	St Format	St Format	Usage / Remark
UNZ				
0036	Interchange control count	M n..6	M n..6	
0020	Interchange control reference	M an..14	M an..14	

Remark:

Example:

UNZ+1+1293'

No = Consecutive segment number
 MaxOcc = Maximum occurrence of the segment/group
 Counter = Counter of segment/group within the standard

St = Status
 EDIFACT: M=Mandatory, C=Conditional
 User specific: R=Required, O=Optional, D=Dependent,
 A=Advised, N=Not used