



Message Implementation Guideline

EDIFACT DELJIT PUS

based on

DELJIT

Delivery just in time message

UN D.97A S3

Version: D97A
Variant: 1.4
Issue date: 05.01.2021
Author: BENTELER Business Services GmbH

1 Message Structure	2
2 Branching Diagram	5
3 Segments	14

Structure / Table of Contents

Counter	No	Tag	St	MaxOcc	Level	Content
0000	1	UNA	R	1	0	SERVICE STRING ADVICE
0000	2	UNB	M	1	0	INTERCHANGE HEADER
0010	3	UNH	M	1	0	MESSAGE HEADER
0020	4	BGM	M	1	0	BEGINNING OF MESSAGE
0030	5	DTM	M	1	1	DOCUMENT DATE/TIME
0030	6	DTM	R	1	1	COLLECTION START DATE/TIME
0030	7	DTM	R	1	1	COLLECTION END DATE/TIME
0030	8	DTM	R	1	1	COLLECTION DATE/TIME
0040	9	FTX	R	1	1	TRANSPORT NET WEIGHT
0040	10	FTX	R	1	1	TRANSPORT GROSS WEIGHT
0040	11	FTX	R	1	1	TRANSPORT VOLUME
0040	12	FTX	R	1	1	TRANSPORT LOADING METER
0040	13	FTX	R	1	1	TRANSPORT PACKAGE QUANTITY
0040	14	FTX	R	1	1	TRANSPORT DISTANCE
0040	15	FTX	O	1	1	TRANSPORT PHYSICAL DIMENSIONS
0040	16	FTX	R	99	1	TRANSPORT PACKAG INFORMATION
0040	17	FTX	R	99	1	TRANSPORT INFORMATION
0050		SG1	R	1	1	TRANSPORT GROUP
0060	18	RFF	M	1	1	REFERENCE
0050		SG1	R	1	1	TRANSPORT NUMBER
0060	19	RFF	M	1	1	REFERENCE
0050		SG1	R	1	1	CONSIGNEE REFERENCE
0060	20	RFF	M	1	1	REFERENCE
0080		SG2	R	1	1	NAD - SUPPLIER
0090	21	NAD	M	1	1	NAME AND ADDRESS
0120		SG3	O	5	2	CTA-COM
0130	22	CTA	M	1	2	CONTACT INFORMATION
0140	23	COM	D	5	3	COMMUNICATION CONTACT
0080		SG2	R	1	1	NAD - SHIP FROM
0090	24	NAD	M	1	1	NAME AND ADDRESS
0120		SG3	O	5	2	CTA-COM
0130	25	CTA	M	1	2	CONTACT INFORMATION
0140	26	COM	D	5	3	COMMUNICATION CONTACT
0080		SG2	R	1	1	NAD - SHIP TO
0090	27	NAD	M	1	1	NAME AND ADDRESS
0100	28	LOC	D	10	2	PLACE OF DELIVERY
0120		SG3	O	5	2	CTA-COM
0130	29	CTA	M	1	2	CONTACT INFORMATION
0140	30	COM	D	5	3	COMMUNICATION CONTACT

Counter = Counter of segment/group within the standard
 No = Consecutive segment number
 MaxOcc = Maximum occurrence of the segment/group

St = Status
 EDIFACT: M=Mandatory, C=Conditional
 User specific: R=Required, O=Optional, D=Dependent,
 A=Advised, N=Not used

Counter	No	Tag	St	MaxOcc	Level	Content
	0080	SG2	R	1	1	NAD - BYER
	0090	31 NAD	M	1	1	NAME AND ADDRESS
	0120	SG3	O	5	2	CTA-COM
	0130	32 CTA	M	1	2	CONTACT INFORMATION
	0140	33 COM	D	5	3	COMMUNICATION CONTACT
	0080	SG2	R	1	1	NAD - CARRIER
	0090	34 NAD	M	1	1	NAME AND ADDRESS
	0120	SG3	D	5	2	CTA-COM
	0130	35 CTA	M	1	2	CONTACT INFORMATION
	0140	36 COM	D	5	3	COMMUNICATION CONTACT
	0150	SG4	M	9999	1	SEQ-SG5-SG7
	0160	37 SEQ	M	1	1	SEQUENCE DETAILS
	0200	SG5	D	5	2	PAC-SG6
	0210	38 PAC	M	1	2	PACKAGE
	0220	SG6	D	999	3	PCI
	0230	39 PCI	M	1	3	PACKAGE IDENTIFICATION
	0250	SG7	R	1	2	LIN-PIA-IMD-FTX-FTX-PAC-SG8-SG8-SG9-SG9-SG11-SG11-SG11
	0260	40 LIN	M	1	2	LINE ITEM
	0270	41 PIA	C	10	3	ADDITIONAL PRODUCT ID
	0280	42 IMD	C	10	3	ITEM DESCRIPTION
	0320	43 FTX	R	1	3	ITEM GROSS WEIGHT
	0320	44 FTX	R	1	3	ITEM NET WEIGHT
	0330	45 PAC	D	999	3	PACKAGE
	0350	SG8	R	1	3	PURCHASE ORDER
	0360	46 RFF	M	1	3	REFERENCE
	0350	SG8	R	99	3	PACKAGE NUMBER MASTER
	0360	47 RFF	M	1	3	REFERENCE
	0380	SG9	R	1	3	PLACE OF DISCHARGE
	0390	48 LOC	M	1	3	PLACE/LOCATION IDENTIFICATION
	0400	SG10	D	5	4	CTA-COM
	0410	49 CTA	M	1	4	CONTACT INFORMATION
	0420	50 COM	O	5	5	COMMUNICATION CONTACT
	0380	SG9	O	1	3	ADDITIONAL INTERNAL DESTINATION
	0390	51 LOC	M	1	3	PLACE/LOCATION IDENTIFICATION
	0430	SG11	R	1	3	QUANTITY PER PACK
	0440	52 QTY	M	1	3	QUANTITY
	0430	SG11	R	1	3	DISCRETE QUANTITY
	0440	53 QTY	M	1	3	QUANTITY
	0430	SG11	R	1	3	CHARGEABLE GROSS WEIGHT
	0440	54 QTY	M	1	3	QUANTITY

Counter = Counter of segment/group within the standard
 No = Consecutive segment number
 MaxOcc = Maximum occurrence of the segment/group

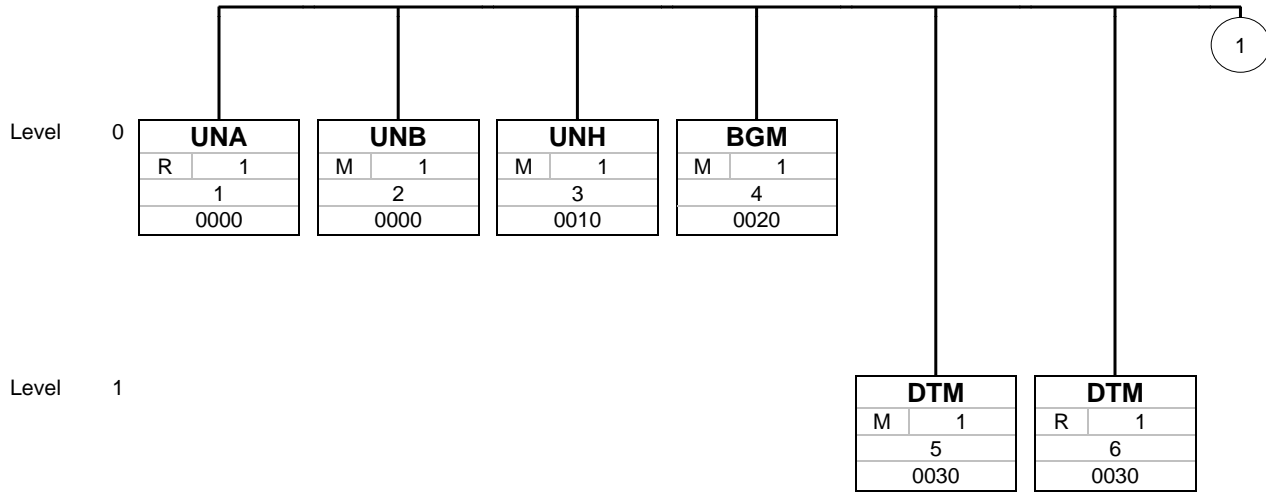
St = Status
 EDIFACT: M=Mandatory, C=Conditional
 User specific: R=Required, O=Optional, D=Dependent,
 A=Advised, N=Not used

Counter	No	Tag	St	MaxOcc	Level	Content
0500	55	UNT	M	1	0	MESSAGE TRAILER
0000	56	UNZ	M	1	0	INTERCHANGE TRAILER

Counter = Counter of segment/group within the standard
No = Consecutive segment number
MaxOcc = Maximum occurrence of the segment/group

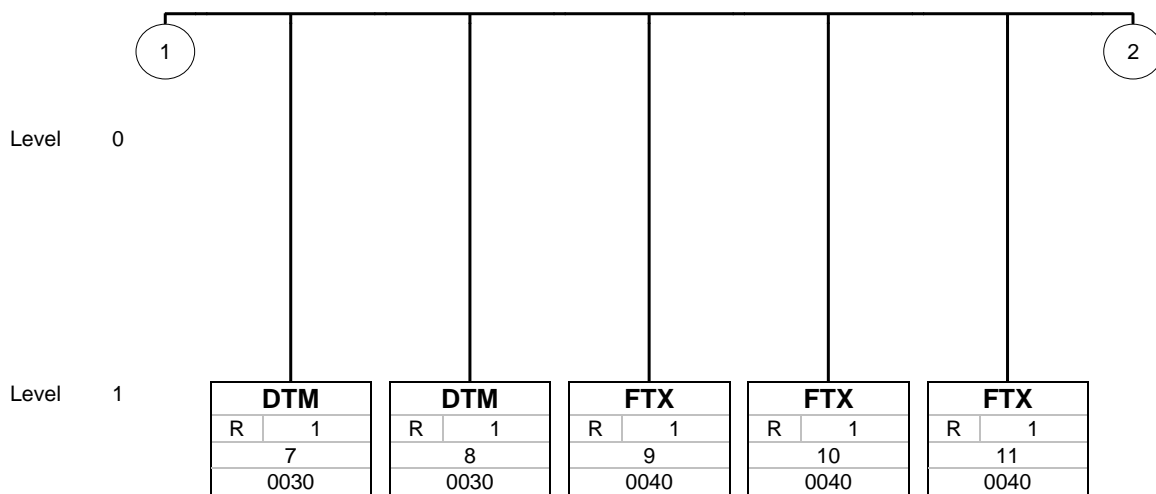
St = Status
EDIFACT: M=Mandatory, C=Conditional
User specific: R=Required, O=Optional, D=Dependent,
A=Advised, N=Not used

Branching Diagram of Used Segments/Groups



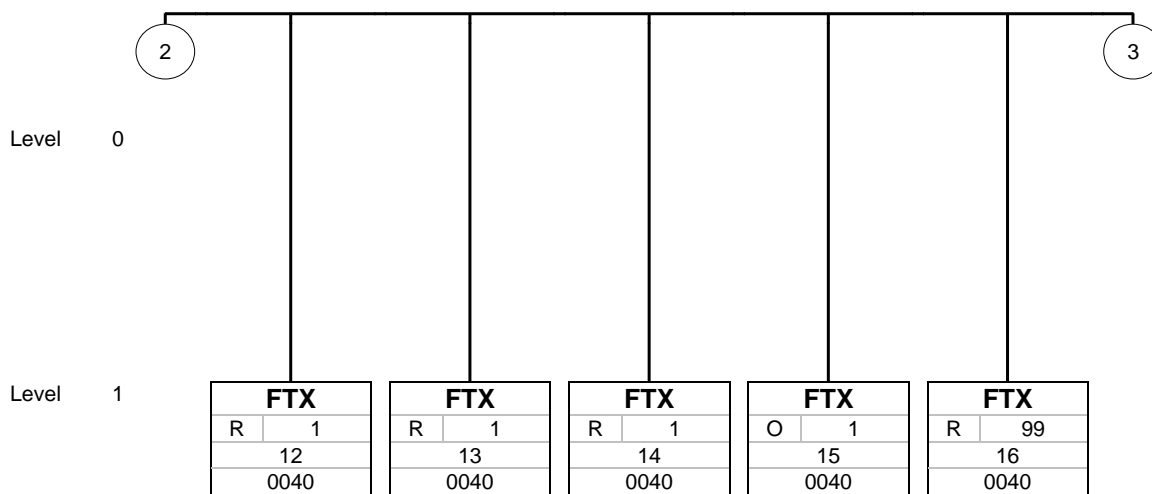
Tag
St MaxOcc
No
Counter

Tag = Segment/Group Tag
 St = Status (M=Mandatory, C=Conditional, R=Required, O=Optional, A=Advised, D=Dependent)
 MaxOcc = Maximum occurrence of the segment/group
 No = Consecutive segment number
 Counter = Counter of segment/group within the standard



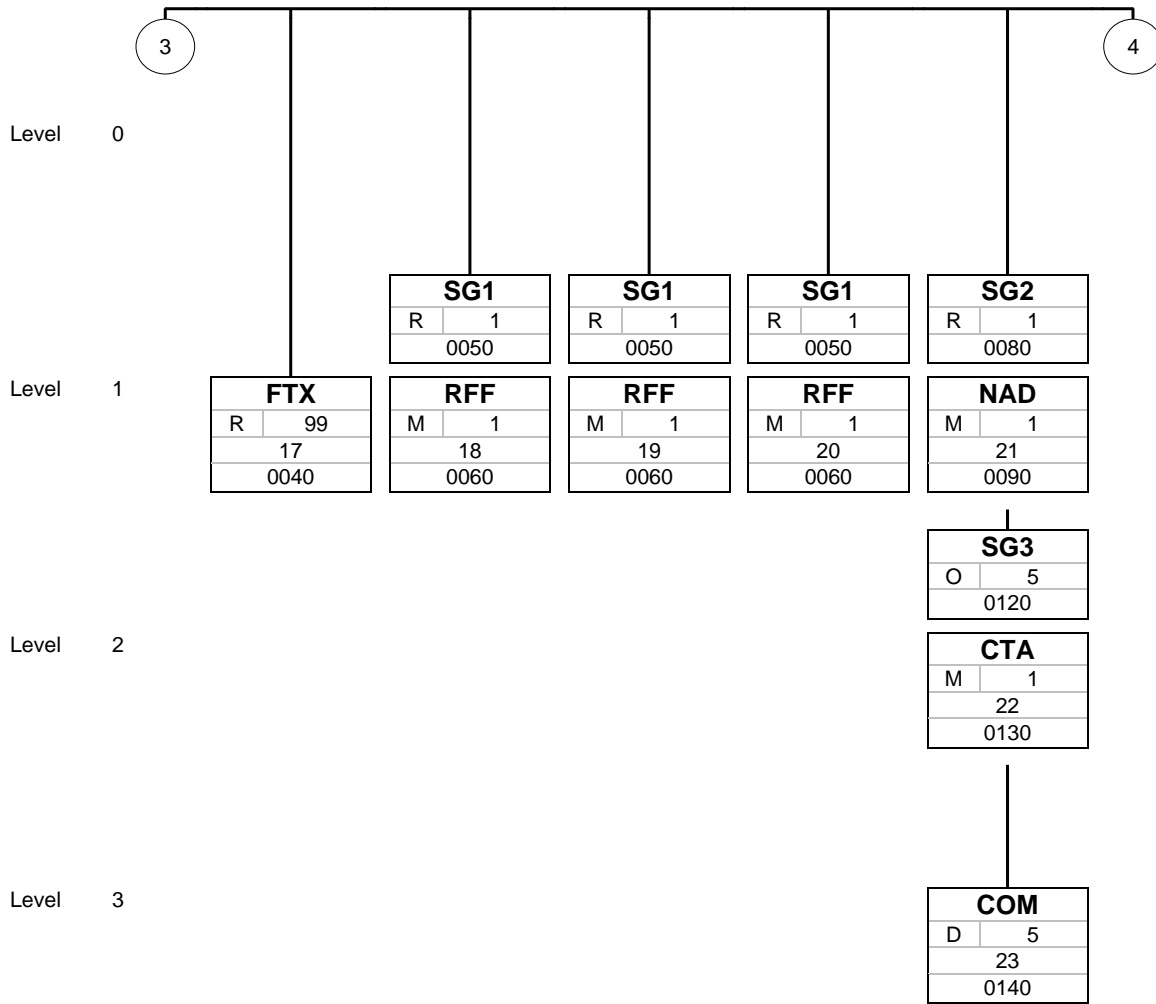
Tag
St MaxOcc
No
Counter

Tag = Segment/Group Tag
 St = Status (M=Mandatory, C=Conditional, R=Required, O=Optional, A=Advised, D=Dependent)
 MaxOcc = Maximum occurrence of the segment/group
 No = Consecutive segment number
 Counter = Counter of segment/group within the standard



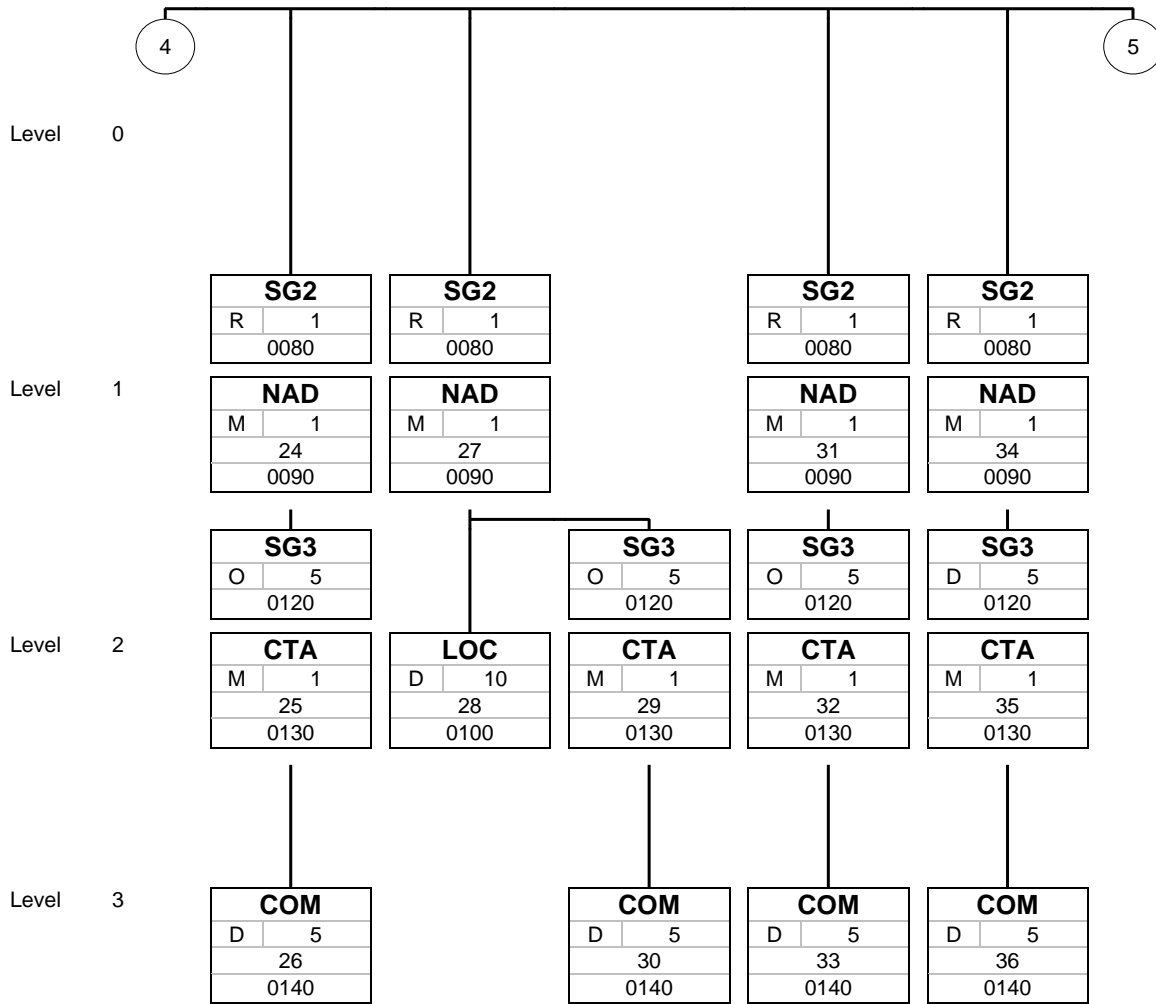
Tag
St MaxOcc
No
Counter

Tag = Segment/Group Tag
 St = Status (M=Mandatory, C=Conditional, R=Required, O=Optional, A=Advised, D=Dependent)
 MaxOcc = Maximum occurrence of the segment/group
 No = Consecutive segment number
 Counter = Counter of segment/group within the standard



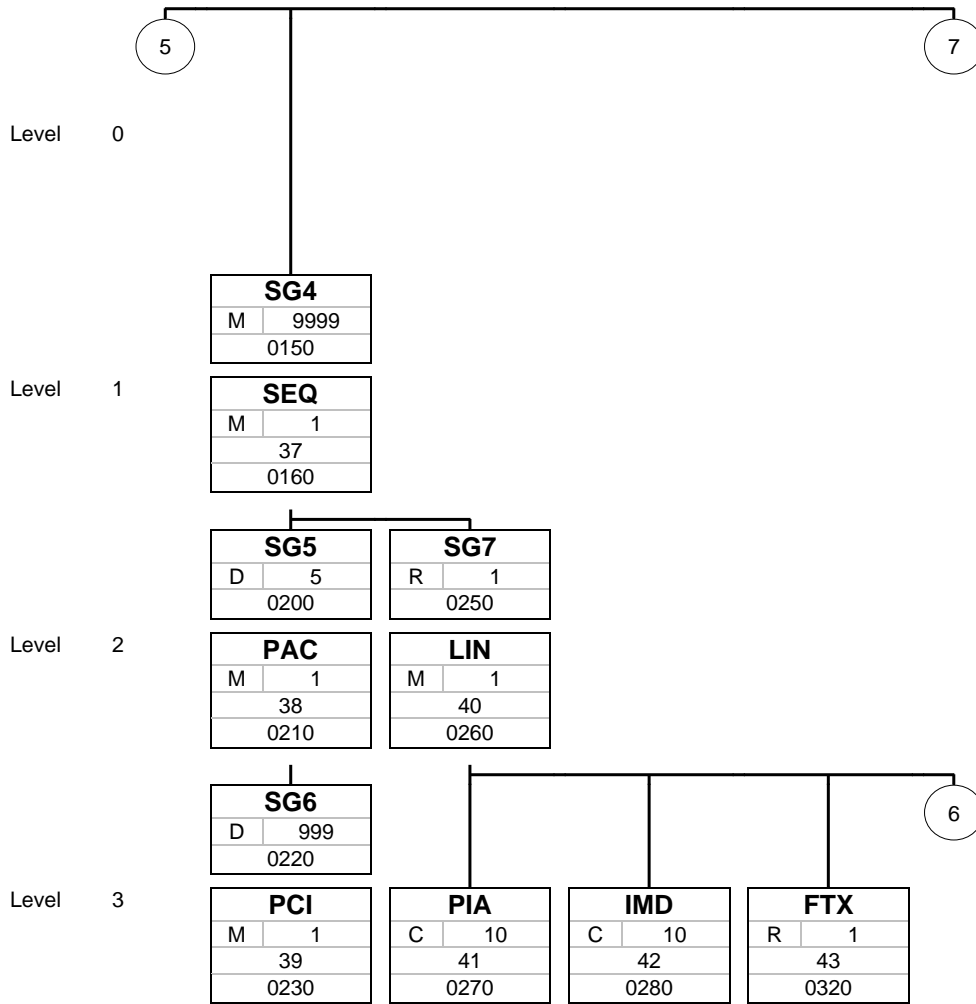
Tag
St MaxOcc
No
Counter

Tag = Segment/Group Tag
 St = Status (M=Mandatory, C=Conditional, R=Required, O=Optional, A=Advised, D=Dependent)
 MaxOcc = Maximum occurrence of the segment/group
 No = Consecutive segment number
 Counter = Counter of segment/group within the standard



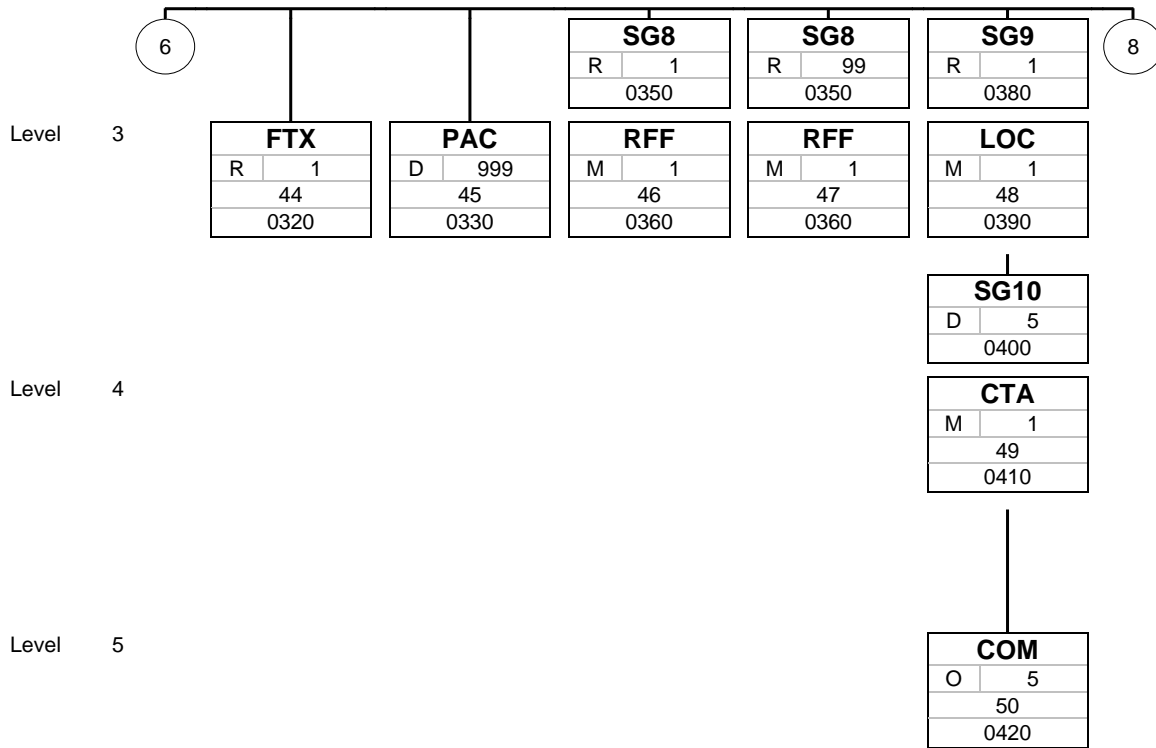
Tag
St MaxOcc
No
Counter

Tag = Segment/Group Tag
 St = Status (M=Mandatory, C=Conditional, R=Required, O=Optional, A=Advised, D=Dependent)
 MaxOcc = Maximum occurrence of the segment/group
 No = Consecutive segment number
 Counter = Counter of segment/group within the standard



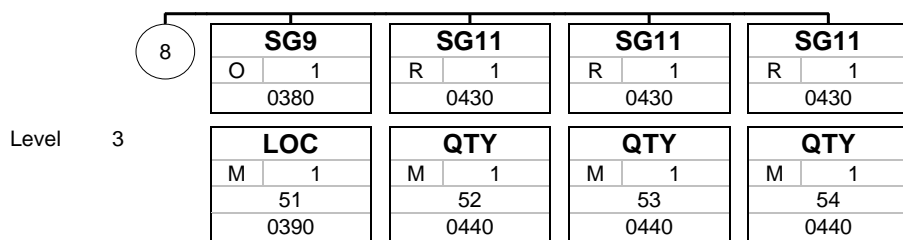
Tag
St MaxOcc
No
Counter

Tag = Segment/Group Tag
 St = Status (M=Mandatory, C=Conditional, R=Required, O=Optional, A=Advised, D=Dependent)
 MaxOcc = Maximum occurrence of the segment/group
 No = Consecutive segment number
 Counter = Counter of segment/group within the standard



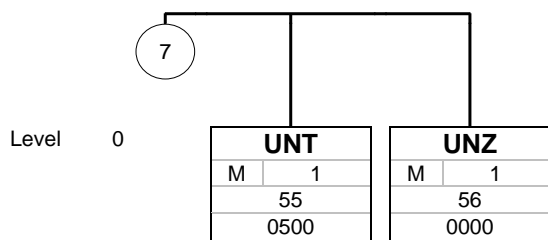
Tag
St MaxOcc
No
Counter

Tag = Segment/Group Tag
 St = Status (M=Mandatory, C=Conditional, R=Required, O=Optional, A=Advised, D=Dependent)
 MaxOcc = Maximum occurrence of the segment/group
 No = Consecutive segment number
 Counter = Counter of segment/group within the standard



Tag
St MaxOcc
No
Counter

Tag = Segment/Group Tag
 St = Status (M=Mandatory, C=Conditional, R=Required, O=Optional, A=Advised, D=Dependent)
 MaxOcc = Maximum occurrence of the segment/group
 No = Consecutive segment number
 Counter = Counter of segment/group within the standard



Tag
St MaxOcc
No
Counter

Tag = Segment/Group Tag
 St = Status (M=Mandatory, C=Conditional, R=Required, O=Optional, A=Advised, D=Dependent)
 MaxOcc = Maximum occurrence of the segment/group
 No = Consecutive segment number
 Counter = Counter of segment/group within the standard

Segments

Counter	No	Tag	St	MaxOcc	Level	Name
0000	1	UNA	R	1	0	SERVICE STRING ADVICE

Standard			Implementation	
Tag	Name	St Format	St Format	Usage / Remark
UNA				
UNA1	Component data element separator	M an1	M an1	
UNA2	Data element separator	M an1	M an1	
UNA3	Decimal notation	M an1	M an1	
UNA4	Release indicator	M an1	M an1	
UNA5	Reserved for future use	M an1	M an1	
UNA6	Segment terminator	M an1	M an1	

Remark:

Example:

UNA:+.? '

No = Consecutive segment number
 MaxOcc = Maximum occurrence of the segment/group
 Counter = Counter of segment/group within the standard

St = Status
 EDIFACT: M=Mandatory, C=Conditional
 User specific: R=Required, O=Optional, D=Dependent,
 A=Advised, N=Not used

Counter	No	Tag	St	MaxOcc	Level	Name
0000	2	UNB	M	1	0	INTERCHANGE HEADER

		Standard	Implementation	
Tag	Name	St Format	St Format	Usage / Remark
UNB				
S001	SYNTAX IDENTIFIER	M	M	
0001	Syntax identifier	M a4	M a4	UNOC UN/ECE level C 3 Version 3
0002	Syntax version number	M n1	M n1	
S002	INTERCHANGE SENDER	M	M	
0004	Sender identification	M an..35	M an..35	Benteler UNB-ID (example: 00013000409BENTELERZDV)
0007	Partner identification code qualifier	C an..4	N	Not used
0008	Address for reverse routing	C an..14	N	Not used
S003	INTERCHANGE RECIPIENT	M	M	
0010	Recipient identification	M an..35	M an..35	Supplier UNB-ID
0007	Partner identification code qualifier	C an..4	N	Not used
0014	Routing address	C an..14	N	Not used
S004	DATE/TIME OF PREPARATION	M	M	
0017	Date of preparation	M n6	M n6	Date of preparation (YYMMDD)
0019	Time of preparation	M n4	M n4	Time of preparation (HHMM)
0020	Interchange control reference	M an..14	M an..14	Unique message ID
S005	RECIPIENT'S REFERENCE PASSWORD	C	N	
0022	Recipient's reference/password	M an..14	N	Not used
0025	Recipient's reference/password qualifier	C an2	N	Not used
0026	Application reference	C an..14	R an..14	BENTELER PUS process
0029	Processing priority code	C a1	N	Not used
0031	Acknowledgement request	C n1	N	Not used
0032	Communications agreement ID	C an..35	N	Not used
0035	Test indicator	C n1	O n1	1 Interchange is a test

Remark:**Example:**

UNB+UNOC:3+00013000409BENTELERZDV+SUPPLIERID+171010:0832+239240349++PUS++++1'

No = Consecutive segment number
 MaxOcc = Maximum occurrence of the segment/group
 Counter = Counter of segment/group within the standard

St = Status
 EDIFACT: M=Mandatory, C=Conditional
 User specific: R=Required, O=Optional, D=Dependent,
 A=Advised, N=Not used

Counter	No	Tag	St	MaxOcc	Level	Name
0010	3	UNH	M	1	0	MESSAGE HEADER

		Standard	Implementation		
Tag	Name	St Format	St Format	Usage / Remark	
UNH					
0062	Message reference number	M an..14	M an..14	Message Control number assigned by the sender to the message.	
S009	MESSAGE IDENTIFIER	M	M		
0065	Message type identifier	M an..6	M an..6	DELJIT Delivery just in time message	
0052	Message type version number	M an..3	M an..3	D Draft version/UN/EDIFACT Directory	
0054	Message type release number	M an..3	M an..3	97A Release 1997 - A	
0051	Controlling agency	M an..2	M an..2	UN UN/ECE/TRADE/WP.4	
0057	Association assigned code	C an..6	N	Not used	
0068	Common access reference	C an..35	R an..35	PUS Pick-up Sheet	
S010	STATUS OF THE TRANSFER	C	N		
0070	Sequence message transfer number	M n..2	N	Not used	
0073	First/last sequence message transfer indication	C a1	N	Not used	

Remark:**Example:**

UNH+1+DELJIT:D:97A:UN+PUS'

No = Consecutive segment number
 MaxOcc = Maximum occurrence of the segment/group
 Counter = Counter of segment/group within the standard

St = Status
 EDIFACT: M=Mandatory, C=Conditional
 User specific: R=Required, O=Optional, D=Dependent,
 A=Advised, N=Not used

Counter	No	Tag	St	MaxOcc	Level	Name
0020	4	BGM	M	1	0	BEGINNING OF MESSAGE

		Standard	Implementation		
Tag	Name	St Format	St Format	Usage / Remark	
BGM					
C002	DOCUMENT/MESSAGE NAME	C	R		
1001	Document/message name, coded	C an..3	R an..3	242 Delivery just-in-time	
1131	Code list qualifier	C an..3	N	Not used	
3055	Code list responsible agency, coded	C an..3	N	Not used	
1000	Document/message name	C an..35	N	Not used	
C106	DOCUMENT/MESSAGE IDENTIFICATION	C	R		
1004	Document/message number	C an..35	R an..35	A unique reference number assigned by Benteler Automotive to identify the Pick Up Sheet.	
1056	Version	C an..9	N	Not used	
1060	Revision number	C an..6	N	Not used	
1225	Message function, coded	C an..3	R an..3	9 Original 4 Change 1 Cancellation	
4343	Response type, coded	C an..3	N	Not used	

Remark:

Example:

BGM+242+149372394+9'

No = Consecutive segment number
 MaxOcc = Maximum occurrence of the segment/group
 Counter = Counter of segment/group within the standard

St = Status
 EDIFACT: M=Mandatory, C=Conditional
 User specific: R=Required, O=Optional, D=Dependent,
 A=Advised, N=Not used

Counter	No	Tag	St	MaxOcc	Level	Name
0030	5	DTM	M	1	1	DOCUMENT DATE/TIME

		Standard	Implementation	
Tag	Name	St Format	St Format	Usage / Remark
DTM				
C507	DATE/TIME/PERIOD	M	M	
2005	Date/time/period qualifier	M an..3	M an..3	137 Document/message date/time
2380	Date/time/period	C an..35	R an..35	Date/time when a message is issued.
2379	Date/time/period format qualifier	C an..3	R an..3	203 CCYYMMDDHHMM

Remark:

Example:

DTM+137:201710271250:203'

No = Consecutive segment number
 MaxOcc = Maximum occurrence of the segment/group
 Counter = Counter of segment/group within the standard

St = Status
 EDIFACT: M=Mandatory, C=Conditional
 User specific: R=Required, O=Optional, D=Dependent,
 A=Advised, N=Not used

Counter	No	Tag	St	MaxOcc	Level	Name
0030	6	DTM	R	1	1	COLLECTION START DATE/TIME

		Standard	Implementation	
Tag	Name	St Format	St Format	Usage / Remark
DTM				
C507	DATE/TIME/PERIOD	M	M	
2005	Date/time/period qualifier	M an..3	M an..3	234 Collection date/time, earliest
2380	Date/time/period	C an..35	R an..35	Start date/time of the pick up window at the supplier site.
2379	Date/time/period format qualifier	C an..3	R an..3	203 CCYMMDDHMM

Remark:

Example:

DTM+234:201710280900:203'

No = Consecutive segment number
 MaxOcc = Maximum occurrence of the segment/group
 Counter = Counter of segment/group within the standard

St = Status
 EDIFACT: M=Mandatory, C=Conditional
 User specific: R=Required, O=Optional, D=Dependent,
 A=Advised, N=Not used

Counter	No	Tag	St	MaxOcc	Level	Name
0030	7	DTM	R	1	1	COLLECTION END DATE/TIME

		Standard	Implementation		
Tag	Name	St Format	St Format	Usage / Remark	
DTM					
C507	DATE/TIME/PERIOD	M	M		
2005	Date/time/period qualifier	M an..3	M an..3	235 Collection date/time, latest	
2380	Date/time/period	C an..35	R an..35	End date/time of the pick up window at the supplier site.	
2379	Date/time/period format qualifier	C an..3	R an..3	203 CCYMMDDHMM	

Remark:

Example:

DTM+235:201710281230:203'

No = Consecutive segment number
 MaxOcc = Maximum occurrence of the segment/group
 Counter = Counter of segment/group within the standard

St = Status
 EDIFACT: M=Mandatory, C=Conditional
 User specific: R=Required, O=Optional, D=Dependent,
 A=Advised, N=Not used

Counter	No	Tag	St	MaxOcc	Level	Name
0030	8	DTM	R	1	1	COLLECTION DATE/TIME

		Standard	Implementation	
Tag	Name	St Format	St Format	Usage / Remark
DTM				
C507	DATE/TIME/PERIOD	M	M	
2005	Date/time/period qualifier	M an..3	M an..3	50 Goods receipt date/time
2380	Date/time/period	C an..35	R an..35	End date of the expected goods receipt at the BAT site.
2379	Date/time/period format qualifier	C an..3	R an..3	203 CCYMMDDHMM

Remark:

Example:

DTM+50:201710291400:203'

No = Consecutive segment number
 MaxOcc = Maximum occurrence of the segment/group
 Counter = Counter of segment/group within the standard

St = Status
 EDIFACT: M=Mandatory, C=Conditional
 User specific: R=Required, O=Optional, D=Dependent,
 A=Advised, N=Not used

Counter	No	Tag	St	MaxOcc	Level	Name
0040	9	FTX	R	1	1	TRANSPORT NET WEIGHT

		Standard	Implementation		
Tag	Name	St Format	St Format	Usage / Remark	
FTX					
4451	Text subject qualifier	M an..3	M an..3	MEA = Transport Measurment	
4453	Text function, coded	C an..3	R an..3	AAC = Total Transport Net weight	
C107	TEXT REFERENCE	C	R		
4441	Free text identification	M an..17	M an..17	Net weight	
1131	Code list qualifier	C an..3	R an..3	Measurment	
				KGM - Kilogramm	
3055	Code list responsible agency, coded	C an..3	N	Not used	
C108	TEXT LITERAL	C	N		
4440	Free text	M an..70	N	Not used	
4440	Free text	C an..70	N	Not used	
4440	Free text	C an..70	N	Not used	
4440	Free text	C an..70	N	Not used	
4440	Free text	C an..70	N	Not used	
3453	Language, coded	C an..3	N	Not used	

Remark:

Example:

FTX+MEA+AAC+1200:KGM'

No = Consecutive segment number
 MaxOcc = Maximum occurrence of the segment/group
 Counter = Counter of segment/group within the standard

St = Status
 EDIFACT: M=Mandatory, C=Conditional
 User specific: R=Required, O=Optional, D=Dependent,
 A=Advised, N=Not used

Counter	No	Tag	St	MaxOcc	Level	Name
0040	10	FTX	R	1	1	TRANSPORT GROSS WEIGHT

		Standard	Implementation		
Tag	Name	St Format	St Format	Usage / Remark	
FTX					
4451	Text subject qualifier	M an..3	M an..3	MEA = Transport Measurment	
4453	Text function, coded	C an..3	R an..3	AAD = Total Transport Gross weight	
C107	TEXT REFERENCE	C	R		
4441	Free text identification	M an..17	M an..17	Gross weight	
1131	Code list qualifier	C an..3	R an..3	Measurment	
				KGM - Kilogramm	
3055	Code list responsible agency, coded	C an..3	N	Not used	
C108	TEXT LITERAL	C	N		
4440	Free text	M an..70	N	Not used	
4440	Free text	C an..70	N	Not used	
4440	Free text	C an..70	N	Not used	
4440	Free text	C an..70	N	Not used	
4440	Free text	C an..70	N	Not used	
3453	Language, coded	C an..3	N	Not used	

Remark:

Example:

FTX+MEA+AAD+1500:KGM'

No = Consecutive segment number
 MaxOcc = Maximum occurrence of the segment/group
 Counter = Counter of segment/group within the standard

St = Status
 EDIFACT: M=Mandatory, C=Conditional
 User specific: R=Required, O=Optional, D=Dependent,
 A=Advised, N=Not used

Counter	No	Tag	St	MaxOcc	Level	Name
---------	----	-----	----	--------	-------	------

0040 11 **FTX** R 1 1 TRANSPORT VOLUME

		Standard	Implementation	
Tag	Name	St Format	St Format	Usage / Remark
FTX				
4451	Text subject qualifier	M an..3	M an..3	MEA = Transport Measurment
4453	Text function, coded	C an..3	R an..3	VOL = Total Transport Volume
C107	TEXT REFERENCE	C	R	
4441	Free text identification	M an..17	M an..17	Volume
1131	Code list qualifier	C an..3	R an..3	Measurment
				MTQ - Cubic Meters
3055	Code list responsible agency, coded	C an..3	N	Not used
C108	TEXT LITERAL	C	N	
4440	Free text	M an..70	N	Not used
4440	Free text	C an..70	N	Not used
4440	Free text	C an..70	N	Not used
4440	Free text	C an..70	N	Not used
4440	Free text	C an..70	N	Not used
3453	Language, coded	C an..3	N	Not used

Remark:

Example:

FTX+MEA+VOL+20:MTQ'

No = Consecutive segment number
 MaxOcc = Maximum occurrence of the segment/group
 Counter = Counter of segment/group within the standard

St = Status
 EDIFACT: M=Mandatory, C=Conditional
 User specific: R=Required, O=Optional, D=Dependent,
 A=Advised, N=Not used

Counter	No	Tag	St	MaxOcc	Level	Name
---------	----	-----	----	--------	-------	------

0040 12 **FTX** R 1 1 TRANSPORT LOADING METER

		Standard	Implementation		
Tag	Name	St Format	St Format	Usage / Remark	
FTX					
4451	Text subject qualifier	M an..3	M an..3	MEA = Transport Measurment	
4453	Text function, coded	C an..3	R an..3	ACV = Transport Loading meter	
C107	TEXT REFERENCE	C	R		
4441	Free text identification	M an..17	M an..17	Loading meter	
1131	Code list qualifier	C an..3	R an..3	Measurment	
				LDM - Loading Meter	
3055	Code list responsible agency, coded	C an..3	N	Not used	
C108	TEXT LITERAL	C	N		
4440	Free text	M an..70	N	Not used	
4440	Free text	C an..70	N	Not used	
4440	Free text	C an..70	N	Not used	
4440	Free text	C an..70	N	Not used	
4440	Free text	C an..70	N	Not used	
3453	Language, coded	C an..3	N	Not used	

Remark:

Example:

FTX+MEA+ACV+12:LDM'

No = Consecutive segment number
 MaxOcc = Maximum occurrence of the segment/group
 Counter = Counter of segment/group within the standard

St = Status
 EDIFACT: M=Mandatory, C=Conditional
 User specific: R=Required, O=Optional, D=Dependent,
 A=Advised, N=Not used

Counter	No	Tag	St	MaxOcc	Level	Name
---------	----	-----	----	--------	-------	------

0040 13 **FTX** R 1 1 TRANSPORT PACKAGE QUANTITY

		Standard	Implementation	
Tag	Name	St Format	St Format	Usage / Remark
FTX				
4451	Text subject qualifier	M an..3	M an..3	MEA = Transport Measurment
4453	Text function, coded	C an..3	R an..3	PAC = Package quantity
C107	TEXT REFERENCE	C	R	
4441	Free text identification	M an..17	M an..17	Package quantity
1131	Code list qualifier	C an..3	R an..3	Measurment
				PCE - one unit
3055	Code list responsible agency, coded	C an..3	N	Not used
C108	TEXT LITERAL	C	N	
4440	Free text	M an..70	N	Not used
4440	Free text	C an..70	N	Not used
4440	Free text	C an..70	N	Not used
4440	Free text	C an..70	N	Not used
4440	Free text	C an..70	N	Not used
3453	Language, coded	C an..3	N	Not used

Remark:

Example:

FTX+MEA+PAC+10:PCE'

No = Consecutive segment number
 MaxOcc = Maximum occurrence of the segment/group
 Counter = Counter of segment/group within the standard

St = Status
 EDIFACT: M=Mandatory, C=Conditional
 User specific: R=Required, O=Optional, D=Dependent,
 A=Advised, N=Not used

Counter	No	Tag	St	MaxOcc	Level	Name
---------	----	-----	----	--------	-------	------

0040 14 **FTX** R 1 1 TRANSPORT DISTANCE

		Standard	Implementation		
Tag	Name	St Format	St Format	Usage / Remark	
FTX					
4451	Text subject qualifier	M an..3	M an..3	MEA = Transport Measurement	
4453	Text function, coded	C an..3	R an..3	DS = Distance	
C107	TEXT REFERENCE	C	R		
4441	Free text identification	M an..17	M an..17	Distance	
1131	Code list qualifier	C an..3	R an..3	Measurement	
				KM - kilometer	
3055	Code list responsible agency, coded	C an..3	N	Not used	
C108	TEXT LITERAL	C	N		
4440	Free text	M an..70	N	Not used	
4440	Free text	C an..70	N	Not used	
4440	Free text	C an..70	N	Not used	
4440	Free text	C an..70	N	Not used	
4440	Free text	C an..70	N	Not used	
3453	Language, coded	C an..3	N	Not used	

Remark:

Example:

FTX+MEA+DS+220.000:KM'

No = Consecutive segment number
 MaxOcc = Maximum occurrence of the segment/group
 Counter = Counter of segment/group within the standard

St = Status
 EDIFACT: M=Mandatory, C=Conditional
 User specific: R=Required, O=Optional, D=Dependent,
 A=Advised, N=Not used

Counter	No	Tag	St	MaxOcc	Level	Name
0040	15	FTX	O	1	1	TRANSPORT PHYSICAL DIMENSIONS

		Standard	Implementation	
Tag	Name	St Format	St Format	Usage / Remark
FTX				
4451	Text subject qualifier	M an..3	M an..3	MEA = Transport Measurment
4453	Text function, coded	C an..3	R an..3	TDT = Transport information
C107	TEXT REFERENCE	C	R	
4441	Free text identification	M an..17	M an..17	Max Transport Weight
1131	Code list qualifier	C an..3	R an..3	Measurment
				KGM - kilogramm
3055	Code list responsible agency, coded	C an..3	N	Not used
C108	TEXT LITERAL	C	O	
4440	Free text	M an..70	O an..70	Transport Length
4440	Free text	C an..70	O an..70	Transport Width
4440	Free text	C an..70	O an..70	Transport Height
4440	Free text	C an..70	N	Not used
4440	Free text	C an..70	O an..70	Measurement:
				M = Meter MM = Milimeter CM = Centimeter DM = Decimeter FT = Foot
3453	Language, coded	C an..3	N	Not used

Remark:**Example:**

FTX+MEA+TDT+24500:KGM+13.60:2.44:2.96::M'

No = Consecutive segment number
 MaxOcc = Maximum occurrence of the segment/group
 Counter = Counter of segment/group within the standard

St = Status
 EDIFACT: M=Mandatory, C=Conditional
 User specific: R=Required, O=Optional, D=Dependent,
 A=Advised, N=Not used

Counter	No	Tag	St	MaxOcc	Level	Name
---------	----	-----	----	--------	-------	------

0040 16 **FTX** R 99 1 TRANSPORT PACKAG INFORMATION

		Standard	Implementation		
Tag	Name	St Format	St Format	Usage / Remark	
FTX					
4451	Text subject qualifier	M an..3	M an..3	PAC = Package Information	
4453	Text function, coded	C an..3	R an..3	Package Hierarchie: 1 = Inner Packaging 2 = Auxiliary Packaging 3 = Outer Packaging	
C107	TEXT REFERENCE	C	R		
4441	Free text identification	M an..17	M an..17	Quantity of packages	
1131	Code list qualifier	C an..3	O an..3	Package Code: GLT - Großladungsträger / Heavy Load Container KLT - Kleinladungsträger / Small Load Carrier HPM - Hilfspackmittel / Cover / Floor	
3055	Code list responsible agency, coded	C an..3	O an..3	Stacking Factor describes how often packaging is stackable (1 box= 1, 2 Box = 2,)	
C108	TEXT LITERAL	C	R		
4440	Free text	M an..70	R an..70	Materialnumber	
4440	Free text	C an..70	O an..70	Length of Packaging	
4440	Free text	C an..70	O an..70	Width of Packaging	
4440	Free text	C an..70	O an..70	Height of Packaging	
4440	Free text	C an..70	O an..70	Measurement unit of packaging size: M = Meter MM = Milimeter CM = Centimeter DM = Decimeter FT = Foot	
3453	Language, coded	C an..3	N	Not used	

Remark:

Example:

FTX+PAC+1+9:KLT:1+9000001:594.000:395.000:280.000:MM'

No = Consecutive segment number
 MaxOcc = Maximum occurrence of the segment/group
 Counter = Counter of segment/group within the standard

St = Status
 EDIFACT: M=Mandatory, C=Conditional
 User specific: R=Required, O=Optional, D=Dependent,
 A=Advised, N=Not used

Counter	No	Tag	St	MaxOcc	Level	Name
0040	17	FTX	R	99	1	TRANSPORT INFORMATION

		Standard	Implementation	
Tag	Name	St Format	St Format	Usage / Remark
FTX				
4451	Text subject qualifier	M an..3	M an..3	TDT = Transport Information
4453	Text function, coded	C an..3	R an..3	Code List
				01 Truck
				02 Mail
				03 Train
				04 Sea
				05 Air-freight
				06 Taxi-Van
				07 Double Driver
				10 EU 20' Cont.19,8 to
				11 EU 40' Cont.22 to
				13 EU Eurosa.Sng 25 to
				14 EU Eurosa.Rnd 25 to
				16 EU Mega Sng 24,5 to
				17 EU Mega Rnd 24,5 to
				18 EU Mega XL Sng 3m h
				19 EU Mega XL Rnd 3m h
				20 EU Jumbo Singletrip
				21 EU Jumbo Roundtrip
				22 EU Stand.Sng 24,5 to
				23 EU Stand.Rnd 24,5 to
				26 EU Solo 8 to truck
				27 EU Solo 12 to truck
				30 RU Eurosa.Sng 21,5 t
				31 RU Eurosa.Rnd 21,5 t
				32 RU Mega Sng 21,5 to
				33 RU Mega Rnd 21,5 to
				34 RU 20' Cont. 14 to
				35 RU 40' Cont. 18 to
				40 AP 4.2m Wng Tr.Singl
				41 AP 4.2m Wng Tr.Round
				42 AP 6.2m Wng Tr.Singl
				43 AP 6.2m Wng Tr.Round
				44 AP 7.8m Wng Tr.Singl
				45 AP 7.8m Wng Tr.Round
				46 AP 9.6m Wng Tr.Singl
				47 AP 9.6m Wng Tr.Round
				48 AP 12.5m Wng Tr.Sing
				49 AP 12.5m Wng Tr.Roun
				50 AP 16.5m Wng Tr.Sing
				51 AP 16.5m Wng Tr.Roun
				52 AP 20' Container
				53 AP 40' Cont. 2,38 h
				54 AP 40' HC.2,69 h
				70 NAO 48" Trailer Sing
				71 NAO 48" Trailer Roun
				72 NAO 53" Trailer Sing
				73 NAO 53" Trailer Roun
				74 NAO 20' Cont.17,9 to
				75 NAO 40' Cont 2,38 h
				76 NAO 40' HC 2,69 h
				77 NAO 20' Cont.20,4 to

No = Consecutive segment number
 MaxOcc = Maximum occurrence of the segment/group
 Counter = Counter of segment/group within the standard

St = Status
 EDIFACT: M=Mandatory, C=Conditional
 User specific: R=Required, O=Optional, D=Dependent,
 A=Advised, N=Not used

		Standard	Implementation	
Tag	Name	St Format	St Format	Usage / Remark
				78 NAO 40' Cont.20,4 to 79 NAO 40' HC 20,4 t 90 MC 20' Cont.2,38 h 91 MC 40' Cont.2,38 h 92 MC 40' HC 2,69 h 93 MC VUC 94 MC Truck 95 MC Carreta 96 MC BITREM SE GM Sea/Air SS GM Steamship VE GM Vessel
C107	TEXT REFERENCE	C	R	
4441	Free text identification	M an..17	M an..17	Incoterms
1131	Code list qualifier	C an..3	N	Not used
3055	Code list responsible agency, coded	C an..3	N	Not used
C108	TEXT LITERAL	C	D	Transport costs will be put here.
4440	Free text	M an..70	M an..70	Total transport cost with two decimals
4440	Free text	C an..70	R an..70	Currency EUR = Euro USD = US Dollar CHF = Swiss franc
4440	Free text	C an..70	O an..70	Further codes can be used SDABW code list: 18DA = ASN to CS CARGO CSAS = ASN to CS CARGO FFRC = Flat Rate based on cbm FLDM = Freight based on LDM FNFR = Fr.calc. based on LDM /1,8 to CRAISS FPFR = Fr.calc. based on theoret. loading meter FRDP = Freight for daily price FRHU = Freight costs per package FRLF = Roundtrip, Fixed Tour or Milkrun FSFL = Spec.freight based on max. loading meter FSFR = Spec.freight based on kilometers FWOC = Freight without costs MHD1 = MH-Datum aus Behälter MHD2 = MH-Datum aus Lieferungsposition PNVS = Documents only after complete scanning ZZB9 = Audi process B9 with Rege
4440	Free text	C an..70	N	Not used
4440	Free text	C an..70	N	Not used
3453	Language, coded	C an..3	N	Not used

Remark:**Example:**

F'TX+TDT+76+FCA+800.00:EUR:18DA'

No = Consecutive segment number
MaxOcc = Maximum occurrence of the segment/group
Counter = Counter of segment/group within the standard

St = Status
EDIFACT: M=Mandatory, C=Conditional
User specific: R=Required, O=Optional, D=Dependent,
A=Advised, N=Not used

Counter	No	Tag	St	MaxOcc	Level	Name
0050		SG1	R	1	1	TRANSPORT GROUP
0060	18	RFF	M	1	1	REFERENCE

Standard			Implementation	
Tag	Name	St Format	St Format	Usage / Remark
RFF				
C506	REFERENCE	M	M	
1153	Reference qualifier	M an..3	M an..3	AEM Transport route
1154	Reference number	C an..35	R an..35	BAT defined a transportation group identification.
1156	Line number	C an..6	N	Not used
4000	Reference version number	C an..35	N	Not used

Remark:

Example:

RFF+AEM:Z001'

No = Consecutive segment number
 MaxOcc = Maximum occurrence of the segment/group
 Counter = Counter of segment/group within the standard

St = Status
 EDIFACT: M=Mandatory, C=Conditional
 User specific: R=Required, O=Optional, D=Dependent,
 A=Advised, N=Not used

Counter	No	Tag	St	MaxOcc	Level	Name	
	0050	SG1	R	1	1	TRANSPORT NUMBER	
	0060	19	RFF	M	1	1	REFERENCE

Standard			Implementation	
Tag	Name	St Format	St Format	Usage / Remark
RFF				
C506	REFERENCE	M	M	
1153	Reference qualifier	M an..3	M an..3	AJZ Transportation account number
1154	Reference number	C an..35	R an..35	BATdefined a special processing indicator to calculate freight costs FNFR = normal freight FRLF = rotation freight FSFL = extra tour LDM FSFR = extra tour KM
1156	Line number	C an..6	N	Not used
4000	Reference version number	C an..35	N	Not used

Remark:

Example:

RFF+AJZ:FNFR'

No = Consecutive segment number
 MaxOcc = Maximum occurrence of the segment/group
 Counter = Counter of segment/group within the standard

St = Status
 EDIFACT: M=Mandatory, C=Conditional
 User specific: R=Required, O=Optional, D=Dependent,
 A=Advised, N=Not used

Counter	No	Tag	St	MaxOcc	Level	Name
	0050	SG1	R	1	1	CONSIGNEE REFERENCE
	0060	20 RFF	M	1	1	REFERENCE

Standard			Implementation	
Tag	Name	St Format	St Format	Usage / Remark
RFF				
C506	REFERENCE	M	M	
1153	Reference qualifier	M an..3	M an..3	AAO Consignee's shipment reference number
1154	Reference number	C an..35	R an..35	Consignee's shipment reference nr.
1156	Line number	C an..6	N	Not used
4000	Reference version number	C an..35	N	Not used

Remark:

Example:

RFF+AAO:0075049468'

No = Consecutive segment number
 MaxOcc = Maximum occurrence of the segment/group
 Counter = Counter of segment/group within the standard

St = Status
 EDIFACT: M=Mandatory, C=Conditional
 User specific: R=Required, O=Optional, D=Dependent,
 A=Advised, N=Not used

Counter	No	Tag	St	MaxOcc	Level	Name
0080		SG2	R	1	1	NAD - SUPPLIER
0090	21	NAD	M	1	1	NAME AND ADDRESS

Standard			Implementation	
Tag	Name	St Format	St Format	Usage / Remark
NAD				
3035	Party qualifier	M an..3	M an..3	SU Supplier
C082	PARTY IDENTIFICATION DETAILS	C	R	
3039	Party id. identification	M an..35	M an..35	Supplier ID at Benteler
1131	Code list qualifier	C an..3	N	Not used
3055	Code list responsible agency, coded	C an..3	R an..3	92 Assigned by buyer or buyer's agent
C058	NAME AND ADDRESS	C	N	
3124	Name and address line	M an..35	N	Not used
3124	Name and address line	C an..35	N	Not used
3124	Name and address line	C an..35	N	Not used
3124	Name and address line	C an..35	N	Not used
3124	Name and address line	C an..35	N	Not used
C080	PARTY NAME	C	R	
3036	Party name	M an..35	M an..35	Name of the party.
3036	Party name	C an..35	N	Not used
3036	Party name	C an..35	N	Not used
3036	Party name	C an..35	N	Not used
3036	Party name	C an..35	N	Not used
3045	Party name format, coded	C an..3	N	Not used
C059	STREET	C	R	
3042	Street and number/p.o. box	M an..35	M an..35	Street name of the party.
3042	Street and number/p.o. box	C an..35	N	Not used
3042	Street and number/p.o. box	C an..35	N	Not used
3042	Street and number/p.o. box	C an..35	N	Not used
3164	City name	C an..35	R an..35	City name of the party.
3229	Country sub-entity identification	C an..9	N	Not used
3251	Postcode identification	C an..9	R an..9	Postal or ZIP code.
3207	Country, coded	C an..3	R an..3	Further codes can be used. DE GERMANY

Remark:

Example:

NAD+SU+2000001::92++NAME+STREET+CITY++33104+DE'

No = Consecutive segment number
 MaxOcc = Maximum occurrence of the segment/group
 Counter = Counter of segment/group within the standard

St = Status
 EDIFACT: M=Mandatory, C=Conditional
 User specific: R=Required, O=Optional, D=Dependent,
 A=Advised, N=Not used

Counter	No	Tag	St	MaxOcc	Level	Name
0120		SG3	O	5	2	CTA-COM
0130	22	CTA	M	1	2	CONTACT INFORMATION

		Standard	Implementation	
Tag	Name	St Format	St Format	Usage / Remark
CTA				
3139	Contact function, coded	C an..3	O an..3	IC Information contact
C056	DEPARTMENT OR EMPLOYEE DETAILS	C	O	
3413	Department or employee identification	C an..17	O an..17	Supplier contact name.
3412	Department or employee	C an..35	N	Not used

Remark:

Example:

CTA+IC+MUSTERMANN '

No = Consecutive segment number
 MaxOcc = Maximum occurrence of the segment/group
 Counter = Counter of segment/group within the standard

St = Status
 EDIFACT: M=Mandatory, C=Conditional
 User specific: R=Required, O=Optional, D=Dependent,
 A=Advised, N=Not used

Counter	No	Tag	St	MaxOcc	Level	Name	
	0120	SG3	O	5	2	CTA-COM	
	0140	23	COM	D	5	3	COMMUNICATION CONTACT

Standard			Implementation	
Tag	Name	St Format	St Format	Usage / Remark
COM				
C076	COMMUNICATION CONTACT	M	M	
3148	Communication number	M an..512	M an..512	Supplier phone number
3155	Communication channel qualifier	M an..3	M an..3	TE Telephone

Remark:

Example:

COM+05254815675:TE'

No = Consecutive segment number
 MaxOcc = Maximum occurrence of the segment/group
 Counter = Counter of segment/group within the standard

St = Status
 EDIFACT: M=Mandatory, C=Conditional
 User specific: R=Required, O=Optional, D=Dependent,
 A=Advised, N=Not used

Counter	No	Tag	St	MaxOcc	Level	Name
	0080	SG2	R	1	1	NAD - SHIP FROM
	0090	NAD	M	1	1	NAME AND ADDRESS

Standard			Implementation	
Tag	Name	St Format	St Format	Usage / Remark
NAD				
3035	Party qualifier	M an..3	M an..3	SF Ship from
C082	PARTY IDENTIFICATION DETAILS	C	R	
3039	Party id. identification	M an..35	M an..35	Supplier ID at Benteler
1131	Code list qualifier	C an..3	N	Not used
3055	Code list responsible agency, coded	C an..3	R an..3	92 Assigned by buyer or buyer's agent
C058 NAME AND ADDRESS				
3124	Name and address line	M an..35	N	Not used
3124	Name and address line	C an..35	N	Not used
3124	Name and address line	C an..35	N	Not used
3124	Name and address line	C an..35	N	Not used
3124	Name and address line	C an..35	N	Not used
C080 PARTY NAME				
3036	Party name	M an..35	M an..35	Name of the party.
3036	Party name	C an..35	N	Not used
3036	Party name	C an..35	N	Not used
3036	Party name	C an..35	N	Not used
3036	Party name	C an..35	N	Not used
3045	Party name format, coded	C an..3	N	Not used
C059 STREET				
3042	Street and number/p.o. box	M an..35	M an..35	Street name of the party.
3042	Street and number/p.o. box	C an..35	N	Not used
3042	Street and number/p.o. box	C an..35	N	Not used
3042	Street and number/p.o. box	C an..35	N	Not used
3164	City name	C an..35	R an..35	City name of the party.
3229	Country sub-entity identification	C an..9	N	Not used
3251	Postcode identification	C an..9	R an..9	Postal or ZIP code.
3207	Country, coded	C an..3	R an..3	Further codes can be used. DE GERMANY

Remark:

Example:

NAD+SF+2000002:::92++NAME+STREET+CITY++33104+DE'

No = Consecutive segment number
 MaxOcc = Maximum occurrence of the segment/group
 Counter = Counter of segment/group within the standard

St = Status
 EDIFACT: M=Mandatory, C=Conditional
 User specific: R=Required, O=Optional, D=Dependent,
 A=Advised, N=Not used

Counter	No	Tag	St	MaxOcc	Level	Name
0120		SG3	O	5	2	CTA-COM
0130	25	CTA	M	1	2	CONTACT INFORMATION

		Standard	Implementation	
Tag	Name	St Format	St Format	Usage / Remark
CTA				
3139	Contact function, coded	C an..3	O an..3	IC Information contact
C056	DEPARTMENT OR EMPLOYEE DETAILS	C	O	
3413	Department or employee identification	C an..17	O an..17	Ship from contact name
3412	Department or employee	C an..35	N	Not used

Remark:

Example:

CTA+IC+MUSTERMANN '

No = Consecutive segment number
 MaxOcc = Maximum occurrence of the segment/group
 Counter = Counter of segment/group within the standard

St = Status
 EDIFACT: M=Mandatory, C=Conditional
 User specific: R=Required, O=Optional, D=Dependent,
 A=Advised, N=Not used

Counter	No	Tag	St	MaxOcc	Level	Name	
	0120	SG3	O	5	2	CTA-COM	
	0140	26	COM	D	5	3	COMMUNICATION CONTACT

Standard			Implementation	
Tag	Name	St Format	St Format	Usage / Remark
COM				
C076	COMMUNICATION CONTACT	M	M	
3148	Communication number	M an..512	M an..512	Ship from phone number
3155	Communication channel qualifier	M an..3	M an..3	TE Telephone

Remark:

Example:

COM+05254815675:TE'

No = Consecutive segment number
 MaxOcc = Maximum occurrence of the segment/group
 Counter = Counter of segment/group within the standard

St = Status
 EDIFACT: M=Mandatory, C=Conditional
 User specific: R=Required, O=Optional, D=Dependent,
 A=Advised, N=Not used

Counter	No	Tag	St	MaxOcc	Level	Name
	0080	SG2	R	1	1	NAD - SHIP TO
	0090	NAD	M	1	1	NAME AND ADDRESS

Standard			Implementation	
Tag	Name	St Format	St Format	Usage / Remark
NAD				
3035	Party qualifier	M an..3	M an..3	ST Ship to
C082	PARTY IDENTIFICATION DETAILS	C	R	
3039	Party id. identification	M an..35	M an..35	Benteler plant code.
1131	Code list qualifier	C an..3	N	Not used
3055	Code list responsible agency, coded	C an..3	R an..3	92 Assigned by buyer or buyer's agent
C058 NAME AND ADDRESS				
3124	Name and address line	M an..35	N	Not used
3124	Name and address line	C an..35	N	Not used
3124	Name and address line	C an..35	N	Not used
3124	Name and address line	C an..35	N	Not used
3124	Name and address line	C an..35	N	Not used
C080 PARTY NAME				
3036	Party name	M an..35	M an..35	Name of the party.
3036	Party name	C an..35	N	Not used
3036	Party name	C an..35	N	Not used
3036	Party name	C an..35	N	Not used
3036	Party name	C an..35	N	Not used
3045	Party name format, coded	C an..3	N	Not used
C059 STREET				
3042	Street and number/p.o. box	M an..35	M an..35	Street name of the party.
3042	Street and number/p.o. box	C an..35	N	Not used
3042	Street and number/p.o. box	C an..35	N	Not used
3042	Street and number/p.o. box	C an..35	N	Not used
3164	City name	C an..35	R an..35	City name of the party.
3229	Country sub-entity identification	C an..9	N	Not used
3251	Postcode identification	C an..9	R an..9	Postal or ZIP code.
3207	Country, coded	C an..3	R an..3	Further codes can be used. DE GERMANY

Remark:

Example:

NAD+ST+0014: :92++NAME+STREET+CITY++33109+DE'

No = Consecutive segment number
 MaxOcc = Maximum occurrence of the segment/group
 Counter = Counter of segment/group within the standard

St = Status
 EDIFACT: M=Mandatory, C=Conditional
 User specific: R=Required, O=Optional, D=Dependent,
 A=Advised, N=Not used

Counter	No	Tag	St	MaxOcc	Level	Name
	0080	SG2	R	1	1	NAD - SHIP TO
	0100	LOC	D	10	2	PLACE OF DELIVERY

		Standard	Implementation	
Tag	Name	St Format	St Format	Usage / Remark
LOC				
3227	Place/location qualifier	M an..3	M an..3	7 Place of delivery
C517	LOCATION IDENTIFICATION	C	R	
3225	Place/location identification	C an..25	R an..25	Delivery location.
1131	Code list qualifier	C an..3	N	Not used
3055	Code list responsible agency, coded	C an..3	N	Not used
3224	Place/location	C an..70	N	Not used
C519	RELATED LOCATION ONE IDENTIFICATION	C	N	
3223	Related place/location one identification	C an..25	N	Not used
1131	Code list qualifier	C an..3	N	Not used
3055	Code list responsible agency, coded	C an..3	N	Not used
3222	Related place/location one	C an..70	N	Not used
C553	RELATED LOCATION TWO IDENTIFICATION	C	N	
3233	Related place/location two identification	C an..25	N	Not used
1131	Code list qualifier	C an..3	N	Not used
3055	Code list responsible agency, coded	C an..3	N	Not used
3232	Related place/location two	C an..70	N	Not used
5479	Relation, coded	C an..3	N	Not used

Remark:

Delivery location will be used if it is different to SHIP TO location.

Example:

LOC+7+TD05'

No = Consecutive segment number
 MaxOcc = Maximum occurrence of the segment/group
 Counter = Counter of segment/group within the standard

St = Status
 EDIFACT: M=Mandatory, C=Conditional
 User specific: R=Required, O=Optional, D=Dependent,
 A=Advised, N=Not used

Counter	No	Tag	St	MaxOcc	Level	Name
0120		SG3	O	5	2	CTA-COM
0130	29	CTA	M	1	2	CONTACT INFORMATION

		Standard	Implementation	
Tag	Name	St Format	St Format	Usage / Remark
CTA				
3139	Contact function, coded	C an..3	O an..3	IC Information contact
C056	DEPARTMENT OR EMPLOYEE DETAILS	C	O	
3413	Department or employee identification	C an..17	O an..17	Ship-to Contact name
3412	Department or employee	C an..35	N	Not used

Remark:

Example:

CTA+IC+MUSTERMANN '

No = Consecutive segment number
 MaxOcc = Maximum occurrence of the segment/group
 Counter = Counter of segment/group within the standard

St = Status
 EDIFACT: M=Mandatory, C=Conditional
 User specific: R=Required, O=Optional, D=Dependent,
 A=Advised, N=Not used

Counter	No	Tag	St	MaxOcc	Level	Name	
	0120	SG3	O	5	2	CTA-COM	
	0140	30	COM	D	5	3	COMMUNICATION CONTACT

Standard			Implementation	
Tag	Name	St Format	St Format	Usage / Remark
COM				
C076	COMMUNICATION CONTACT	M	M	
3148	Communication number	M an..512	M an..512	Ship-to phone number
3155	Communication channel qualifier	M an..3	M an..3	TE Telephone

Remark:

Example:

COM+05254815675:TE'

No = Consecutive segment number
 MaxOcc = Maximum occurrence of the segment/group
 Counter = Counter of segment/group within the standard

St = Status
 EDIFACT: M=Mandatory, C=Conditional
 User specific: R=Required, O=Optional, D=Dependent,
 A=Advised, N=Not used

Counter	No	Tag	St	MaxOcc	Level	Name
0080		SG2	R	1	1	NAD - BYER
0090	31	NAD	M	1	1	NAME AND ADDRESS

Standard			Implementation	
Tag	Name	St Format	St Format	Usage / Remark
NAD				
3035	Party qualifier	M an..3	M an..3	BY Buyer
C082	PARTY IDENTIFICATION DETAILS	C	R	
3039	Party id. identification	M an..35	M an..35	Benteler plant code.
1131	Code list qualifier	C an..3	N	Not used
3055	Code list responsible agency, coded	C an..3	R an..3	92 Assigned by buyer or buyer's agent
C058	NAME AND ADDRESS	C	N	
3124	Name and address line	M an..35	N	Not used
3124	Name and address line	C an..35	N	Not used
3124	Name and address line	C an..35	N	Not used
3124	Name and address line	C an..35	N	Not used
3124	Name and address line	C an..35	N	Not used
C080	PARTY NAME	C	R	
3036	Party name	M an..35	M an..35	Name of the party.
3036	Party name	C an..35	N	Not used
3036	Party name	C an..35	N	Not used
3036	Party name	C an..35	N	Not used
3036	Party name	C an..35	N	Not used
3045	Party name format, coded	C an..3	N	Not used
C059	STREET	C	R	
3042	Street and number/p.o. box	M an..35	M an..35	Street name of the party.
3042	Street and number/p.o. box	C an..35	N	Not used
3042	Street and number/p.o. box	C an..35	N	Not used
3042	Street and number/p.o. box	C an..35	N	Not used
3164	City name	C an..35	R an..35	City name of the party.
3229	Country sub-entity identification	C an..9	N	Not used
3251	Postcode identification	C an..9	R an..9	Postal or ZIP code.
3207	Country, coded	C an..3	R an..3	Further codes can be used. DE GERMANY

Remark:**Example:**

NAD+BY+0014: :92++NAME+STREET+CITY++33105+DE'

No = Consecutive segment number
 MaxOcc = Maximum occurrence of the segment/group
 Counter = Counter of segment/group within the standard

St = Status
 EDIFACT: M=Mandatory, C=Conditional
 User specific: R=Required, O=Optional, D=Dependent,
 A=Advised, N=Not used

Counter	No	Tag	St	MaxOcc	Level	Name
0120		SG3	O	5	2	CTA-COM
0130	32	CTA	M	1	2	CONTACT INFORMATION

		Standard	Implementation	
Tag	Name	St Format	St Format	Usage / Remark
CTA				
3139	Contact function, coded	C an..3	O an..3	IC Information contact
C056	DEPARTMENT OR EMPLOYEE DETAILS	C	O	
3413	Department or employee identification	C an..17	O an..17	Buyer contact name
3412	Department or employee	C an..35	N	Not used

Remark:

Example:

CTA+IC+MUSTERMANN '

No = Consecutive segment number
 MaxOcc = Maximum occurrence of the segment/group
 Counter = Counter of segment/group within the standard

St = Status
 EDIFACT: M=Mandatory, C=Conditional
 User specific: R=Required, O=Optional, D=Dependent,
 A=Advised, N=Not used

Counter	No	Tag	St	MaxOcc	Level	Name	
	0120	SG3	O	5	2	CTA-COM	
	0140	33	COM	D	5	3	COMMUNICATION CONTACT

Standard			Implementation	
Tag	Name	St Format	St Format	Usage / Remark
COM				
C076	COMMUNICATION CONTACT	M	M	
3148	Communication number	M an..512	M an..512	Buyer phone number
3155	Communication channel qualifier	M an..3	M an..3	TE Telephone

Remark:

Example:

COM+05254815675:TE'

No = Consecutive segment number
 MaxOcc = Maximum occurrence of the segment/group
 Counter = Counter of segment/group within the standard

St = Status
 EDIFACT: M=Mandatory, C=Conditional
 User specific: R=Required, O=Optional, D=Dependent,
 A=Advised, N=Not used

Counter	No	Tag	St	MaxOcc	Level	Name
0080		SG2	R	1	1	NAD - CARRIER
0090	34	NAD	M	1	1	NAME AND ADDRESS

Standard			Implementation	
Tag	Name	St Format	St Format	Usage / Remark
NAD				
3035	Party qualifier	M an..3	M an..3	CA Carrier
C082	PARTY IDENTIFICATION DETAILS	C	R	
3039	Party id. identification	M an..35	M an..35	Benteler plant code.
1131	Code list qualifier	C an..3	N	Not used
3055	Code list responsible agency, coded	C an..3	R an..3	92 Assigned by buyer or buyer's agent
C058	NAME AND ADDRESS	C	N	
3124	Name and address line	M an..35	M an..35	
3124	Name and address line	C an..35	N	Not used
3124	Name and address line	C an..35	N	Not used
3124	Name and address line	C an..35	N	Not used
3124	Name and address line	C an..35	N	Not used
C080	PARTY NAME	C	R	
3036	Party name	M an..35	M an..35	Name of the party.
3036	Party name	C an..35	N	Not used
3036	Party name	C an..35	N	Not used
3036	Party name	C an..35	N	Not used
3036	Party name	C an..35	N	Not used
3045	Party name format, coded	C an..3	N	Not used
C059	STREET	C	R	
3042	Street and number/p.o. box	M an..35	M an..35	Street name of the party.
3042	Street and number/p.o. box	C an..35	N	Not used
3042	Street and number/p.o. box	C an..35	N	Not used
3042	Street and number/p.o. box	C an..35	N	Not used
3164	City name	C an..35	R an..35	City name of the party.
3229	Country sub-entity identification	C an..9	N	Not used
3251	Postcode identification	C an..9	R an..9	Postal or ZIP code.
3207	Country, coded	C an..3	R an..3	Further codes can be used. DE GERMANY

Remark:**Example:**

NAD+CA+2000009::92++NAME+STREET+CITY++33110+DE'

No = Consecutive segment number
 MaxOcc = Maximum occurrence of the segment/group
 Counter = Counter of segment/group within the standard

St = Status
 EDIFACT: M=Mandatory, C=Conditional
 User specific: R=Required, O=Optional, D=Dependent,
 A=Advised, N=Not used

Counter	No	Tag	St	MaxOcc	Level	Name
0120		SG3	D	5	2	CTA-COM
0130	35	CTA	M	1	2	CONTACT INFORMATION

		Standard	Implementation	
Tag	Name	St Format	St Format	Usage / Remark
CTA				
3139	Contact function, coded	C an..3	R an..3	IC Information contact
C056	DEPARTMENT OR EMPLOYEE DETAILS	C	R	
3413	Department or employee identification	C an..17	R an..17	Carrier contact name
3412	Department or employee	C an..35	N	Not used

Remark:

Example:

CTA+IC+Herr Dreblow'

No = Consecutive segment number
 MaxOcc = Maximum occurrence of the segment/group
 Counter = Counter of segment/group within the standard

St = Status
 EDIFACT: M=Mandatory, C=Conditional
 User specific: R=Required, O=Optional, D=Dependent,
 A=Advised, N=Not used

Counter	No	Tag	St	MaxOcc	Level	Name	
	0120	SG3	D	5	2	CTA-COM	
	0140	36	COM	D	5	3	COMMUNICATION CONTACT

Standard			Implementation	
Tag	Name	St Format	St Format	Usage / Remark
COM				
C076	COMMUNICATION CONTACT	M	M	
3148	Communication number	M an..512	M an..512	Carrier phone number
3155	Communication channel qualifier	M an..3	M an..3	TE Telephone

Remark:

Example:

COM+05254815675:TE'

No = Consecutive segment number
 MaxOcc = Maximum occurrence of the segment/group
 Counter = Counter of segment/group within the standard

St = Status
 EDIFACT: M=Mandatory, C=Conditional
 User specific: R=Required, O=Optional, D=Dependent,
 A=Advised, N=Not used

Counter	No	Tag	St	MaxOcc	Level	Name
0150		SG4	M	9999	1	SEQ-SG5-SG7
0160	37	SEQ	M	1	1	SEQUENCE DETAILS

Standard			Implementation	
Tag	Name	St Format	St Format	Usage / Remark
SEQ				
1245	Status indicator, coded	C an..3	R an..3	6 Agreement
C286	SEQUENCE INFORMATION	C	N	
1050	Sequence number	M an..10	N	Not used
1159	Sequence number source, coded	C an..3	N	Not used
1131	Code list qualifier	C an..3	N	Not used
3055	Code list responsible agency, coded	C an..3	N	Not used

Remark:

Example:

SEQ+6'

No = Consecutive segment number
 MaxOcc = Maximum occurrence of the segment/group
 Counter = Counter of segment/group within the standard

St = Status
 EDIFACT: M=Mandatory, C=Conditional
 User specific: R=Required, O=Optional, D=Dependent,
 A=Advised, N=Not used

Counter	No	Tag	St	MaxOcc	Level	Name
---------	----	-----	----	--------	-------	------

0200 **SG5** D 5 2 **PAC-SG6**

The SG5 will be used when packaging is available.

0210 38 **PAC** M 1 2 **PACKAGE**

Standard			Implementation	
Tag	Name	St Format	St Format	Usage / Remark
PAC				
7224	Number of packages	C n..8	R n..8	Number of packages
C531	PACKAGING DETAILS	C	R	
7075	Packaging level, coded	C an..3	R an..3	1 Inner 3 Outer 2 Intermediate
7233	Packaging related information, coded	C an..3	N	Not used
7073	Packaging terms and conditions, coded	C an..3	N	Not used
C202	PACKAGE TYPE	C	R	
7065	Type of packages identification	C an..17	R an..17	Package identification
1131	Code list qualifier	C an..3	N	Not used
3055	Code list responsible agency, coded	C an..3	N	Not used
7064	Type of packages	C an..35	N	Not used
C402	PACKAGE TYPE IDENTIFICATION	C	D	
7077	Item description type, coded	M an..3	M an..3	F Free-form
7064	Type of packages	M an..35	M an..35	Package weight
7143	Item number type, coded	C an..3	R an..3	Weight Measurement KGM - kilogram
7064	Type of packages	C an..35	D an..35	Volume of package
7143	Item number type, coded	C an..3	D an..3	Measure volume of package: MTQ = cubic meter CQM = cubic centimeter (this two ISO-Codes are mostly used)
C532	RETURNABLE PACKAGE DETAILS	C	N	
8395	Returnable package freight payment responsibility, coded	C an..3	N	Not used
8393	Returnable package load contents, coded	C an..3	N	Not used

Remark:

Example:

PAC+5+1+BOX+F:120.000:KGM:2.320:MTQ'

No = Consecutive segment number
MaxOcc = Maximum occurrence of the segment/group
Counter = Counter of segment/group within the standard

St = Status
EDIFACT: M=Mandatory, C=Conditional
User specific: R=Required, O=Optional, D=Dependent,
A=Advised, N=Not used

Counter	No	Tag	St	MaxOcc	Level	Name
0220		SG6	D	999	3	PCI
0230	39	PCI	M	1	3	PACKAGE IDENTIFICATION

Standard			Implementation	
Tag	Name	St Format	St Format	Usage / Remark
PCI				
4233	Marking instructions, coded	C an..3	N	Not used
C210	MARKS & LABELS	C	D	
7102	Shipping marks	M an..35	M an..35	Shipping marks as instructed by BAT.
7102	Shipping marks	C an..35	N	Not used
7102	Shipping marks	C an..35	N	Not used
7102	Shipping marks	C an..35	N	Not used
7102	Shipping marks	C an..35	N	Not used
7102	Shipping marks	C an..35	N	Not used
7102	Shipping marks	C an..35	N	Not used
7102	Shipping marks	C an..35	N	Not used
7102	Shipping marks	C an..35	N	Not used
7102	Shipping marks	C an..35	N	Not used
8275	Container/package status, coded	C an..3	N	Not used
C827	TYPE OF MARKING	C	O	
7511	Type of marking, coded	M an..3	M an..3	
1131	Code list qualifier	C an..3	N	Not used
3055	Code list responsible agency, coded	C an..3	R an..3	167 US, AIAG (Automotive Industry Action Group)

Remark:

Example:

PCI++12345XX+XXX::167'

No = Consecutive segment number
 MaxOcc = Maximum occurrence of the segment/group
 Counter = Counter of segment/group within the standard

St = Status
 EDIFACT: M=Mandatory, C=Conditional
 User specific: R=Required, O=Optional, D=Dependent,
 A=Advised, N=Not used

Counter	No	Tag	St	MaxOcc	Level	Name
0250		SG7	R	1	2	LIN-PIA-IMD-FTX-PAC-SG8-SG9-SG11
0260	40	LIN	M	1	2	LINE ITEM

Standard			Implementation	
Tag	Name	St Format	St Format	Usage / Remark
LIN				
1082	Line item number	C an..6	N	Not used
1229	Action request/notification, coded	C an..3	N	Not used
C212	ITEM NUMBER IDENTIFICATION	C	R	
7140	Item number	C an..35	R an..35	BATassigned part number.
7143	Item number type, coded	C an..3	R an..3	IN Buyer's item number
1131	Code list qualifier	C an..3	N	Not used
3055	Code list responsible agency, coded	C an..3	N	Not used
C829	SUB-LINE INFORMATION	C	N	
5495	Sub-line indicator, coded	C an..3	N	Not used
1082	Line item number	C an..6	N	Not used
1222	Configuration level	C n..2	N	Not used
7083	Configuration, coded	C an..3	N	Not used

Remark:

Example:

LIN+++33396732:IN'

No = Consecutive segment number
 MaxOcc = Maximum occurrence of the segment/group
 Counter = Counter of segment/group within the standard

St = Status
 EDIFACT: M=Mandatory, C=Conditional
 User specific: R=Required, O=Optional, D=Dependent,
 A=Advised, N=Not used

Counter	No	Tag	St	MaxOcc	Level	Name
0250		SG7	R	1	2	LIN-PIA-IMD-FTX-PAC-SG8-SG9-SG11
0270	41	PIA	C	10	3	ADDITIONAL PRODUCT ID

		Standard	Implementation	
Tag	Name	St Format	St Format	Usage / Remark
PIA				
4347	Product id. function qualifier	M an..3	M an..3	1 Additional identification
C212	ITEM NUMBER IDENTIFICATION	M	M	
7140	Item number	C an..35	R an..35	Entry is GME Kanban number. (add. part no).
7143	Item number type, coded	C an..3	R an..3	PL Purchaser's order line number
1131	Code list qualifier	C an..3	N	Not used
3055	Code list responsible agency, coded	C an..3	N	Not used
C212	ITEM NUMBER IDENTIFICATION	C	N	
7140	Item number	C an..35	N	Not used
7143	Item number type, coded	C an..3	N	Not used
1131	Code list qualifier	C an..3	N	Not used
3055	Code list responsible agency, coded	C an..3	N	Not used
C212	ITEM NUMBER IDENTIFICATION	C	N	
7140	Item number	C an..35	N	Not used
7143	Item number type, coded	C an..3	N	Not used
1131	Code list qualifier	C an..3	N	Not used
3055	Code list responsible agency, coded	C an..3	N	Not used
C212	ITEM NUMBER IDENTIFICATION	C	N	
7140	Item number	C an..35	N	Not used
7143	Item number type, coded	C an..3	N	Not used
1131	Code list qualifier	C an..3	N	Not used
3055	Code list responsible agency, coded	C an..3	N	Not used
C212	ITEM NUMBER IDENTIFICATION	C	N	
7140	Item number	C an..35	N	Not used
7143	Item number type, coded	C an..3	N	Not used
1131	Code list qualifier	C an..3	N	Not used
3055	Code list responsible agency, coded	C an..3	N	Not used

Remark:

Example:

PIA+1+00001:PL'

No = Consecutive segment number
 MaxOcc = Maximum occurrence of the segment/group
 Counter = Counter of segment/group within the standard

St = Status
 EDIFACT: M=Mandatory, C=Conditional
 User specific: R=Required, O=Optional, D=Dependent,
 A=Advised, N=Not used

Counter	No	Tag	St	MaxOcc	Level	Name
	0250	SG7	R	1	2	LIN-PIA-IMD-FTX-PAC-SG8-SG9-SG11
	0280	42 IMD	C	10	3	ITEM DESCRIPTION

Standard			Implementation	
Tag	Name	St Format	St Format	Usage / Remark
IMD				
7077	Item description type, coded	C an..3	R an..3	A Free-form long description
7081	Item characteristic, coded	C an..3	N	Not used
C273	ITEM DESCRIPTION	C	C	
7009	Item description identification	C an..17	N	Not used
1131	Code list qualifier	C an..3	N	Not used
3055	Code list responsible agency, coded	C an..3	N	Not used
7008	Item description	C an..35	R an..35	Description of the product to be delivered as defined in seg. LIN tag 7140
7008	Item description	C an..35	N	Not used
3453	Language, coded	C an..3	N	Not used
7383	Surface/layer indicator, coded	C an..3	N	Not used

Remark:

Example:

IMD+A+:::Lagerbock Teil 2 vorne links'

No = Consecutive segment number
 MaxOcc = Maximum occurrence of the segment/group
 Counter = Counter of segment/group within the standard

St = Status
 EDIFACT: M=Mandatory, C=Conditional
 User specific: R=Required, O=Optional, D=Dependent,
 A=Advised, N=Not used

Counter	No	Tag	St	MaxOcc	Level	Name	
	0250	SG7	R	1	2	LIN-PIA-IMD-FTX-PAC-SG8-SG9-SG11	
	0320	43	FTX	R	1	3	ITEM GROSS WEIGHT

		Standard	Implementation	
Tag	Name	St Format	St Format	Usage / Remark
FTX				
4451	Text subject qualifier	M an..3	M an..3	Item measurement
4453	Text function, coded	C an..3	R an..3	AAD = Item gross weight
C107	TEXT REFERENCE	C	C	
4441	Free text identification	M an..17	M an..17	gross weight
1131	Code list qualifier	C an..3	R an..3	Measurement
3055	Code list responsible agency, coded	C an..3	N	Not used
C108	TEXT LITERAL	C	N	
4440	Free text	M an..70	N	Not used
4440	Free text	C an..70	N	Not used
4440	Free text	C an..70	N	Not used
4440	Free text	C an..70	N	Not used
4440	Free text	C an..70	N	Not used
3453	Language, coded	C an..3	N	Not used

Remark:**Example:**

FTX+MEA+AAD+100:KGM'

No = Consecutive segment number
 MaxOcc = Maximum occurrence of the segment/group
 Counter = Counter of segment/group within the standard

St = Status
 EDIFACT: M=Mandatory, C=Conditional
 User specific: R=Required, O=Optional, D=Dependent,
 A=Advised, N=Not used

Counter	No	Tag	St	MaxOcc	Level	Name	
	0250	SG7	R	1	2	LIN-PIA-IMD-FTX-PAC-SG8-SG9-SG11	
	0320	44	FTX	R	1	3	ITEM NET WEIGHT

		Standard	Implementation	
Tag	Name	St Format	St Format	Usage / Remark
FTX				
4451	Text subject qualifier	M an..3	M an..3	Item measurement
4453	Text function, coded	C an..3	R an..3	AAC = Item net weight
C107	TEXT REFERENCE	C	C	
4441	Free text identification	M an..17	M an..17	net weight
1131	Code list qualifier	C an..3	R an..3	Measurement
3055	Code list responsible agency, coded	C an..3	N	Not used
C108	TEXT LITERAL	C	N	
4440	Free text	M an..70	N	Not used
4440	Free text	C an..70	N	Not used
4440	Free text	C an..70	N	Not used
4440	Free text	C an..70	N	Not used
4440	Free text	C an..70	N	Not used
3453	Language, coded	C an..3	N	Not used

Remark:

Example:

FTX+MEA+AAC+100:KGM'

No = Consecutive segment number
 MaxOcc = Maximum occurrence of the segment/group
 Counter = Counter of segment/group within the standard

St = Status
 EDIFACT: M=Mandatory, C=Conditional
 User specific: R=Required, O=Optional, D=Dependent,
 A=Advised, N=Not used

Counter	No	Tag	St	MaxOcc	Level	Name	
	0250	SG7	R	1	2	LIN-PIA-IMD-FTX-PAC-SG8-SG9-SG11	
	0330	45	PAC	D	999	3	PACKAGE

		Standard	Implementation	
Tag	Name	St Format	St Format	Usage / Remark
PAC				
7224	Number of packages	C n..8	R n..8	Number of packages
C531	PACKAGING DETAILS	C	R	
7075	Packaging level, coded	C an..3	R an..3	1 Inner 2 Intermediate 3 Outer 4 No packaging hierarchy
7233	Packaging related information, coded	C an..3	N	Not used
7073	Packaging terms and conditions, coded	C an..3	N	Not used
C202	PACKAGE TYPE	C	R	
7065	Type of packages identification	C an..17	R an..17	Package Identification
1131	Code list qualifier	C an..3	N	Not used
3055	Code list responsible agency, coded	C an..3	N	Not used
7064	Type of packages	C an..35	N	Not used
C402	PACKAGE TYPE IDENTIFICATION	C	D	
7077	Item description type, coded	M an..3	M an..3	F Free-form
7064	Type of packages	M an..35	R an..35	Package Weight
7143	Item number type, coded	C an..3	R an..3	Measurement
7064	Type of packages	C an..35	R an..35	Package Volume
7143	Item number type, coded	C an..3	R an..3	Measure volume of package: MTQ = cubic meter CQM = cubic centimeter (this two ISO-Codes are mostly used)
C532	RETURNABLE PACKAGE DETAILS	C	N	
8395	Returnable package freight payment responsibility, coded	C an..3	N	Not used
8393	Returnable package load contents, coded	C an..3	N	Not used

Remark:**Example:**

PAC+9+1+1929339+F:120.000:KGM:2.300:MTQ'

No = Consecutive segment number
 MaxOcc = Maximum occurrence of the segment/group
 Counter = Counter of segment/group within the standard

St = Status
 EDIFACT: M=Mandatory, C=Conditional
 User specific: R=Required, O=Optional, D=Dependent,
 A=Advised, N=Not used

Counter	No	Tag	St	MaxOcc	Level	Name
	0350	SG8	R	1	3	PURCHASE ORDER
	0360	46 RFF	M	1	3	REFERENCE

Standard			Implementation	
Tag	Name	St Format	St Format	Usage / Remark
RFF				
C506	REFERENCE	M	M	
1153	Reference qualifier	M an..3	M an..3	ON Order number (purchase)
1154	Reference number	C an..35	R an..35	Reference number assigned by BAT to purchase order.
1156	Line number	C an..6	R an..6	Item line number of purchase order
4000	Reference version number	C an..35	N	Not used

Remark:

Example:

RFF+ON:0065005177:000010'

No = Consecutive segment number
 MaxOcc = Maximum occurrence of the segment/group
 Counter = Counter of segment/group within the standard

St = Status
 EDIFACT: M=Mandatory, C=Conditional
 User specific: R=Required, O=Optional, D=Dependent,
 A=Advised, N=Not used

Counter	No	Tag	St	MaxOcc	Level	Name
0350		SG8	R	99	3	PACKAGE NUMBER MASTER
0360	47	RFF	M	1	3	REFERENCE

Standard			Implementation	
Tag	Name	St Format	St Format	Usage / Remark
RFF				
C506	REFERENCE	M	M	
1153	Reference qualifier	M an..3	M an..3	ACI Outerpackaging unit identification
1154	Reference number	C an..35	R an..35	Reference number assigned by BAT to purchase order.
1156	Line number	C an..6	N	Not used
4000	Reference version number	C an..35	N	Not used

Remark:

Example:

RFF+ACI:0015005170'

No = Consecutive segment number
 MaxOcc = Maximum occurrence of the segment/group
 Counter = Counter of segment/group within the standard

St = Status
 EDIFACT: M=Mandatory, C=Conditional
 User specific: R=Required, O=Optional, D=Dependent,
 A=Advised, N=Not used

Counter	No	Tag	St	MaxOcc	Level	Name	
	0380	SG9	R	1	3	PLACE OF DISCHARGE	
	0390	48	LOC	M	1	3	PLACE/LOCATION IDENTIFICATION

Standard			Implementation	
Tag	Name	St Format	St Format	Usage / Remark
LOC				
3227	Place/location qualifier	M an..3	M an..3	11 Place/port of discharge
C517	LOCATION IDENTIFICATION	C	R	
3225	Place/location identification	C an..25	R an..25	Code identifying the receiving BAT plant or dock code where the goods will be delivered.
1131	Code list qualifier	C an..3	N	Not used
3055	Code list responsible agency, coded	C an..3	N	Not used
3224	Place/location	C an..70	N	Not used
C519	RELATED LOCATION ONE IDENTIFICATION	C	N	
3223	Related place/location one identification	C an..25	N	Not used
1131	Code list qualifier	C an..3	N	Not used
3055	Code list responsible agency, coded	C an..3	N	Not used
3222	Related place/location one	C an..70	N	Not used
C553	RELATED LOCATION TWO IDENTIFICATION	C	N	
3233	Related place/location two identification	C an..25	N	Not used
1131	Code list qualifier	C an..3	N	Not used
3055	Code list responsible agency, coded	C an..3	N	Not used
3232	Related place/location two	C an..70	N	Not used
5479	Relation, coded	C an..3	N	Not used

Remark:

Example:

LOC+11+0018'

No = Consecutive segment number
 MaxOcc = Maximum occurrence of the segment/group
 Counter = Counter of segment/group within the standard

St = Status
 EDIFACT: M=Mandatory, C=Conditional
 User specific: R=Required, O=Optional, D=Dependent,
 A=Advised, N=Not used

Counter	No	Tag	St	MaxOcc	Level	Name
0400		SG10	D	5	4	CTA-COM
0410	49	CTA	M	1	4	CONTACT INFORMATION

		Standard	Implementation	
Tag	Name	St Format	St Format	Usage / Remark
CTA				
3139	Contact function, coded	C an..3	O an..3	IC Information contact
C056	DEPARTMENT OR EMPLOYEE DETAILS	C	C	
3413	Department or employee identification	C an..17	O an..17	Name of the responsible mrp controller to be contacted.
3412	Department or employee	C an..35	N	Not used

Remark:

Example:

CTA+IC+FRITZ MUELLER'

No = Consecutive segment number
 MaxOcc = Maximum occurrence of the segment/group
 Counter = Counter of segment/group within the standard

St = Status
 EDIFACT: M=Mandatory, C=Conditional
 User specific: R=Required, O=Optional, D=Dependent,
 A=Advised, N=Not used

Counter	No	Tag	St	MaxOcc	Level	Name
0400		SG10	D	5	4	CTA-COM
0420	50	COM	O	5	5	COMMUNICATION CONTACT

Standard			Implementation	
Tag	Name	St Format	St Format	Usage / Remark
COM				
C076	COMMUNICATION CONTACT	M	M	
3148	Communication number	M an..512	M an..512	
3155	Communication channel qualifier	M an..3	M an..3	TE Telephone

Remark:

Example:

COM+495452816510:TE'

No = Consecutive segment number
 MaxOcc = Maximum occurrence of the segment/group
 Counter = Counter of segment/group within the standard

St = Status
 EDIFACT: M=Mandatory, C=Conditional
 User specific: R=Required, O=Optional, D=Dependent,
 A=Advised, N=Not used

Counter	No	Tag	St	MaxOcc	Level	Name
0380		SG9	O	1	3	ADDITIONAL INTERNAL DESTINATION
0390	51	LOC	M	1	3	PLACE/LOCATION IDENTIFICATION

Standard			Implementation	
Tag	Name	St Format	St Format	Usage / Remark
LOC				
3227	Place/location qualifier	M an..3	M an..3	159 Additional internal destination
C517	LOCATION IDENTIFICATION	C	R	
3225	Place/location identification	C an..25	R an..25	Code identifying the receiving BAT plant or dock code where the goods will be delivered.
1131	Code list qualifier	C an..3	N	Not used
3055	Code list responsible agency, coded	C an..3	N	Not used
3224	Place/location	C an..70	N	Not used
C519	RELATED LOCATION ONE IDENTIFICATION	C	N	
3223	Related place/location one identification	C an..25	N	Not used
1131	Code list qualifier	C an..3	N	Not used
3055	Code list responsible agency, coded	C an..3	N	Not used
3222	Related place/location one	C an..70	N	Not used
C553	RELATED LOCATION TWO IDENTIFICATION	C	N	
3233	Related place/location two identification	C an..25	N	Not used
1131	Code list qualifier	C an..3	N	Not used
3055	Code list responsible agency, coded	C an..3	N	Not used
3232	Related place/location two	C an..70	N	Not used
5479	Relation, coded	C an..3	N	Not used

Remark:

Example:

LOC+159+currently not used'

No = Consecutive segment number
 MaxOcc = Maximum occurrence of the segment/group
 Counter = Counter of segment/group within the standard

St = Status
 EDIFACT: M=Mandatory, C=Conditional
 User specific: R=Required, O=Optional, D=Dependent,
 A=Advised, N=Not used

Counter	No	Tag	St	MaxOcc	Level	Name
	0430	SG11	R	1	3	QUANTITY PER PACK
	0440	QTY	M	1	3	QUANTITY

Standard			Implementation	
Tag	Name	St Format	St Format	Usage / Remark
QTY				
C186	QUANTITY DETAILS	M	M	
6063	Quantity qualifier	M an..3	M an..3	52 Quantity per pack
6060	Quantity	M n..15	M n..15	Actual quantity of the part number defined in the preceding LIN that is contained in the package identified in the preceding PAC.
6411	Measure unit qualifier	C an..3	N	Not used

Remark:

Example:

QTY+52:9'

No = Consecutive segment number
 MaxOcc = Maximum occurrence of the segment/group
 Counter = Counter of segment/group within the standard

St = Status
 EDIFACT: M=Mandatory, C=Conditional
 User specific: R=Required, O=Optional, D=Dependent,
 A=Advised, N=Not used

Counter	No	Tag	St	MaxOcc	Level	Name
	0430	SG11	R	1	3	DISCRETE QUANTITY
	0440	QTY	M	1	3	QUANTITY

Standard			Implementation	
Tag	Name	St Format	St Format	Usage / Remark
QTY				
C186	QUANTITY DETAILS	M	M	
6063	Quantity qualifier	M an..3	M an..3	1 Discrete quantity
6060	Quantity	M n..15	M n..15	Actual quantity of the part number defined in the preceding LIN that must be delivered.
6411	Measure unit qualifier	C an..3	N	Not used

Remark:

Example:
QTY+1:5'

No = Consecutive segment number
 MaxOcc = Maximum occurrence of the segment/group
 Counter = Counter of segment/group within the standard

St = Status
 EDIFACT: M=Mandatory, C=Conditional
 User specific: R=Required, O=Optional, D=Dependent,
 A=Advised, N=Not used

Counter	No	Tag	St	MaxOcc	Level	Name
	0430	SG11	R	1	3	CHARGEABLE GROSS WEIGHT
	0440	QTY	M	1	3	QUANTITY

Standard			Implementation	
Tag	Name	St Format	St Format	Usage / Remark
QTY				
C186	QUANTITY DETAILS	M	M	
6063	Quantity qualifier	M an..3	M an..3	101 Chargeable gross weight
6060	Quantity	M n..15	M n..15	Actual gross weight of the total quantity to be delivered and the packaging identified in the preceding PAC..
6411	Measure unit qualifier	C an..3	N	Not used

Remark:**Example:**

QTY+101:3'

No = Consecutive segment number
 MaxOcc = Maximum occurrence of the segment/group
 Counter = Counter of segment/group within the standard

St = Status
 EDIFACT: M=Mandatory, C=Conditional
 User specific: R=Required, O=Optional, D=Dependent,
 A=Advised, N=Not used

Counter	No	Tag	St	MaxOcc	Level	Name
0500	55	UNT	M	1	0	MESSAGE TRAILER

		Standard	Implementation	
Tag	Name	St Format	St Format	Usage / Remark
UNT				
0074	Number of segments in a message	M n..6	M n..6	
0062	Message reference number	M an..14	M an..14	

Remark:**Example:**

UNT+53+1'

No = Consecutive segment number
 MaxOcc = Maximum occurrence of the segment/group
 Counter = Counter of segment/group within the standard

St = Status
 EDIFACT: M=Mandatory, C=Conditional
 User specific: R=Required, O=Optional, D=Dependent,
 A=Advised, N=Not used

Counter	No	Tag	St	MaxOcc	Level	Name
0000	56	UNZ	M	1	0	INTERCHANGE TRAILER

Standard			Implementation	
Tag	Name	St Format	St Format	Usage / Remark
UNZ				
0036	Interchange control count	M n..6	M n..6	
0020	Interchange control reference	M an..14	M an..14	

Remark:**Example:**

UNZ+1+239240349'

No = Consecutive segment number
 MaxOcc = Maximum occurrence of the segment/group
 Counter = Counter of segment/group within the standard

St = Status
 EDIFACT: M=Mandatory, C=Conditional
 User specific: R=Required, O=Optional, D=Dependent,
 A=Advised, N=Not used