



Message Implementation Guideline

## EDIFACT DELFOR D.97A (Benteler Europe)

based on

### **DELFOR**

Delivery schedule message

### **UN D.97A S3**

Version: 1.7  
Variant: 1  
Issue date: 13.10.2014  
Author: Benteler Deutschland GmbH

1 Message Structure .....	2
2 Branching Diagram.....	3
3 Segments.....	6
4 Example of an EDIFACT DELFOR D.97A message.....	26

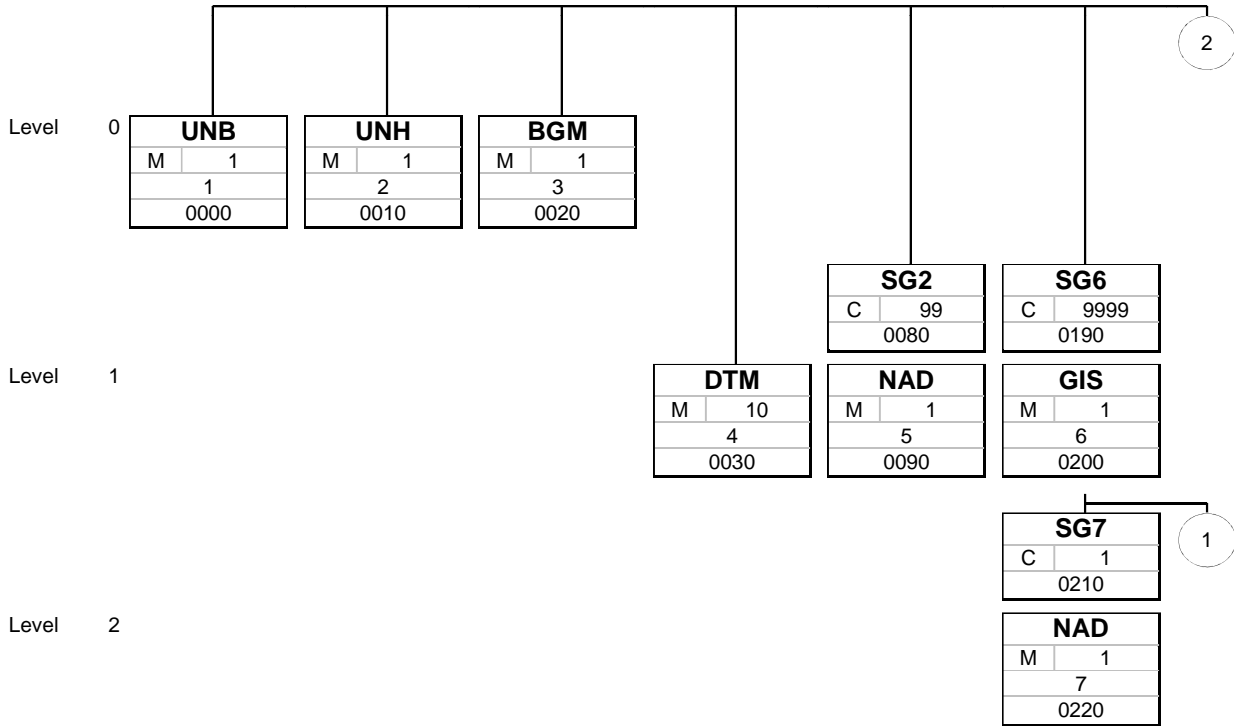
## Structure / Table of Contents

Counter	No	Tag	St	MaxOcc	Level	Content
0000	1	<b>UNB</b>	M	1	0	INTERCHANGE HEADER
0010	2	<b>UNH</b>	M	1	0	MESSAGE HEADER
0020	3	<b>BGM</b>	M	1	0	BEGINNING OF MESSAGE
0030	4	<b>DTM</b>	M	10	1	DATE/TIME/PERIOD
0080		<b>SG2</b>	C	99	1	NAD
0090	5	<b>NAD</b>	M	1	1	NAME AND ADDRESS
0190		<b>SG6</b>	C	9999	1	GIS-SG7-SG12
0200	6	<b>GIS</b>	M	1	1	GENERAL INDICATOR
0210		<b>SG7</b>	C	1	2	NAD
0220	7	<b>NAD</b>	M	1	2	NAME AND ADDRESS
0370		<b>SG12</b>	C	9999	2	LIN-PIA-IMD-SG13-SG15-SG17
0380	8	<b>LIN</b>	M	1	2	LINE ITEM
0390	9	<b>PIA</b>	C	10	3	ADDITIONAL PRODUCT ID
0400	10	<b>IMD</b>	C	10	3	ITEM DESCRIPTION
0480		<b>SG13</b>	C	10	3	RFF
0490	11	<b>RFF</b>	M	1	3	REFERENCE
0540		<b>SG15</b>	C	10	3	QTY-DTM-SG16
0550	12	<b>QTY</b>	M	1	3	QUANTITY
0560	13	<b>DTM</b>	C	2	4	DATE/TIME/PERIOD
0570		<b>SG16</b>	C	10	4	RFF-DTM
0580	14	<b>RFF</b>	M	1	4	REFERENCE
0590	15	<b>DTM</b>	C	1	5	DATE/TIME/PERIOD
0600		<b>SG17</b>	C	999	3	SCC-SG18
0610	16	<b>SCC</b>	M	1	3	SCHEDULING CONDITIONS
0620		<b>SG18</b>	C	999	4	QTY-DTM
0630	17	<b>QTY</b>	M	1	4	QUANTITY
0640	18	<b>DTM</b>	C	2	5	DATE/TIME/PERIOD
1030	19	<b>UNT</b>	M	1	0	MESSAGE TRAILER
0000	20	<b>UNZ</b>	M	1	0	INTERCHANGE TRAILER

Counter = Counter of segment/group within the standard  
 No = Consecutive segment number  
 MaxOcc = Maximum occurrence of the segment/group

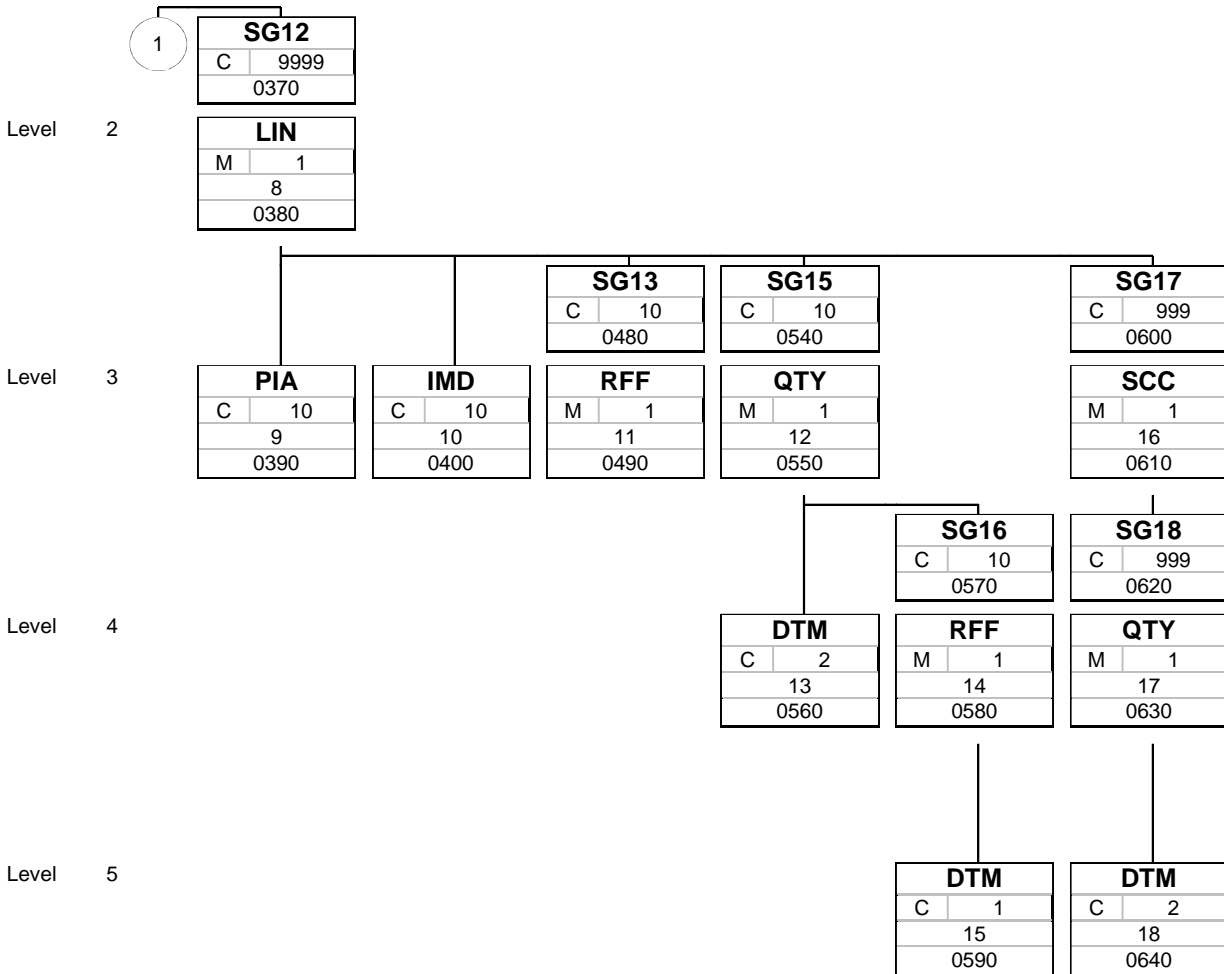
St = Status  
 EDIFACT: M=Mandatory, C=Conditional  
 User specific: R=Required, O=Optional, D=Dependent,  
 A=Advised, N=Not used

**Branching Diagram of Used Segments/Groups**



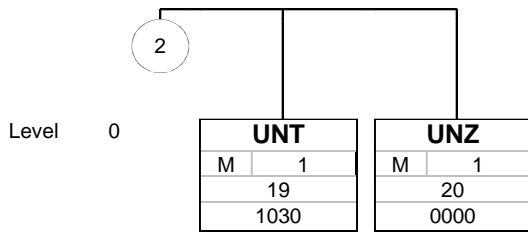
Tag
St MaxOcc
No
Counter

Tag = Segment/Group Tag  
 St = Status (M=Mandatory, C=Conditional, R=Required, O=Optional, A=Advised, D=Dependent)  
 MaxOcc = Maximum occurrence of the segment/group  
 No = Consecutive segment number  
 Counter = Counter of segment/group within the standard



Tag
St MaxOcc
No
Counter

Tag = Segment/Group Tag  
 St = Status (M=Mandatory, C=Conditional, R=Required, O=Optional, A=Advised, D=Dependent)  
 MaxOcc = Maximum occurrence of the segment/group  
 No = Consecutive segment number  
 Counter = Counter of segment/group within the standard



Tag
St MaxOcc
No
Counter

Tag = Segment/Group Tag  
 St = Status (M=Mandatory, C=Conditional, R=Required, O=Optional, A=Advised, D=Dependent)  
 MaxOcc = Maximum occurrence of the segment/group  
 No = Consecutive segment number  
 Counter = Counter of segment/group within the standard

**Segments**

Counter	No	Tag	St	MaxOcc	Level	Name
0000	1	<b>UNB</b>	M	1	0	INTERCHANGE HEADER

Standard			Implementation	
Tag	Name	St Format	St Format	Usage / Remark
UNB				
S001	SYNTAX IDENTIFIER	M	M	
0001	Syntax identifier	M a4	M a4	<b>UNOC UN/EDC level C 3 Version 3</b>
0002	Syntax version number	M n1	M n1	
S002	INTERCHANGE SENDER	M	M	
0004	Sender identification	M an..35	M an..35	
0007	Partner identification code qualifier	C an..4	N	Not used
0008	Address for reverse routing	C an..14	N	Not used
S003	INTERCHANGE RECIPIENT	M	M	
0010	Recipient identification	M an..35	M an..35	
0007	Partner identification code qualifier	C an..4	N	Not used
0014	Routing address	C an..14	N	Not used
S004	DATE/TIME OF PREPARATION	M	M	
0017	Date of preparation	M n6	M n6	
0019	Time of preparation	M n4	M n4	
0020	Interchange control reference	M an..14	M an..14	
S005	RECIPIENT'S REFERENCE PASSWORD	C	N	
0022	Recipient's reference/password	M an..14	N	Not used
0025	Recipient's reference/password qualifier	C an2	N	Not used
0026	Application reference	C an..14	N	Not used
0029	Processing priority code	C a1	N	Not used
0031	Acknowledgement request	C n1	N	Not used
0032	Communications agreement ID	C an..35	N	Not used
0035	Test indicator	C n1	N	Not used

**Remark:**

**Example:**

UNB+UNOC:3+00013000409BENTELERXX1001+ODEDICOMP+141007:1433+5188'

No = Consecutive segment number  
 MaxOcc = Maximum occurrence of the segment/group  
 Counter = Counter of segment/group within the standard

St = Status  
 EDIFACT: M=Mandatory, C=Conditional  
 User specific: R=Required, O=Optional, D=Dependent,  
 A=Advised, N=Not used

Counter	No	Tag	St	MaxOcc	Level	Name
0010	2	<b>UNH</b>	M	1	0	MESSAGE HEADER

Standard			Implementation	
Tag	Name	St Format	St Format	Usage / Remark
UNH				
0062	Message reference number	M an..14	M an..14	
S009	MESSAGE IDENTIFIER	M	M	
0065	Message type identifier	M an..6	M an..6	<b>DELFOR Delivery schedule message</b>
0052	Message type version number	M an..3	M an..3	<b>D Draft version/UN/EDIFACT Directory</b>
0054	Message type release number	M an..3	M an..3	<b>97A Release 1997 - A</b>
0051	Controlling agency	M an..2	M an..2	<b>UN UN/ECE/TRADE/MP.4</b>
0057	Association assigned code	C an..6	N	Not used
0068	Common access reference	C an..35	N	Not used
S010	STATUS OF THE TRANSFER	C	N	
0070	Sequence message transfer number	M n..2	N	Not used
0073	First/last sequence message transfer indication	C a1	N	Not used

**Remark:**

**Example:**

UNH+1+DELFOR:D:97A:UN'

No = Consecutive segment number  
 MaxOcc = Maximum occurrence of the segment/group  
 Counter = Counter of segment/group within the standard

St = Status  
 EDIFACT: M=Mandatory, C=Conditional  
 User specific: R=Required, O=Optional, D=Dependent,  
 A=Advised, N=Not used

Counter	No	Tag	St	MaxOcc	Level	Name
---------	----	-----	----	--------	-------	------

0020 3 **BGM** M 1 0 **BEGINNING OF MESSAGE**

Standard			Implementation	
Tag	Name	St Format	St Format	Usage / Remark
BGM				
C002	DOCUMENT/MESSAGE NAME	C	C	
1001	Document/message name, coded	C an..3	M an..3	<b>241 Delivery schedule</b>
1131	Code list qualifier	C an..3	N	Not used
3055	Code list responsible agency, coded	C an..3	N	Not used
1000	Document/message name	C an..35	C an..35	<b>PS</b> Planned shipment based - no authorization to ship
C106 DOCUMENT/MESSAGE IDENTIFICATION				
1004	Document/message number	C an..35	M an..35	Unique forecast number
1056	Version	C an..9	N	Not used
1060	Revision number	C an..6	N	Not used
1225	Message function, coded	C an..3	M an..3	<b>9 Original</b>
4343	Response type, coded	C an..3	N	Not used

**Remark:**

**Example:**

BGM+241:::PS+079692057+9'

No = Consecutive segment number  
 MaxOcc = Maximum occurrence of the segment/group  
 Counter = Counter of segment/group within the standard

St = Status  
 EDIFACT: M=Mandatory, C=Conditional  
 User specific: R=Required, O=Optional, D=Dependent,  
 A=Advised, N=Not used



Counter	No	Tag	St	MaxOcc	Level	Name
---------	----	-----	----	--------	-------	------

0030	4	<b>DTM</b>	M	10	1	DATE/TIME/PERIOD
------	---	------------	---	----	---	------------------

Standard			Implementation	
Tag	Name	St Format	St Format	Usage / Remark
DTM				
C507	DATE/TIME/PERIOD	M	M	
2005	Date/time/period qualifier	M an..3	M an..3	<b>137 Document/message date/time</b>
2380	Date/time/period	C an..35	M an..35	
2379	Date/time/period format qualifier	C an..3	M an..3	<b>203 CCYYMMDDHHMM</b>

**Remark:**

**Example:**

DTM+137:201410071433:203'

No = Consecutive segment number  
 MaxOcc = Maximum occurrence of the segment/group  
 Counter = Counter of segment/group within the standard

St = Status  
 EDIFACT: M=Mandatory, C=Conditional  
 User specific: R=Required, O=Optional, D=Dependent,  
 A=Advised, N=Not used

Counter	No	Tag	St	MaxOcc	Level	Name
0080		<b>SG2</b>	C	99	1	<b>NAD</b>
0090	5	<b>NAD</b>	M	1	1	<b>NAME AND ADDRESS</b>

Standard			Implementation	
Tag	Name	St Format	St Format	Usage / Remark
NAD				
3035	Party qualifier	M an..3	M an..3	<b>SF Ship from SU Supplier</b>
C082	PARTY IDENTIFICATION DETAILS	C	C	
3039	Party id. identification	M an..35	M an..35	
1131	Code list qualifier	C an..3	N	Not used
3055	Code list responsible agency, coded	C an..3	M an..3	<b>92 Assigned by buyer or buyer's agent</b>
C058	NAME AND ADDRESS	C	N	
3124	Name and address line	M an..35	N	Not used
3124	Name and address line	C an..35	N	Not used
3124	Name and address line	C an..35	N	Not used
3124	Name and address line	C an..35	N	Not used
3124	Name and address line	C an..35	N	Not used
C080	PARTY NAME	C	C	
3036	Party name	M an..35	M an..35	
3036	Party name	C an..35	N	Not used
3036	Party name	C an..35	N	Not used
3036	Party name	C an..35	N	Not used
3036	Party name	C an..35	N	Not used
3045	Party name format, coded	C an..3	N	Not used
C059	STREET	C	C	
3042	Street and number/p.o. box	M an..35	M an..35	
3042	Street and number/p.o. box	C an..35	N	Not used
3042	Street and number/p.o. box	C an..35	N	Not used
3042	Street and number/p.o. box	C an..35	N	Not used
3164	City name	C an..35	C an..35	
3229	Country sub-entity identification	C an..9	N	Not used
3251	Postcode identification	C an..9	C an..9	
3207	Country, coded	C an..3	C an..3	<b>DE GERMANY</b> Further codes can be used.

**Remark:**

**Example:**

NAD+SU+H/2000146::92++Tech Vibration Control GmbH+Im Dorfe 1+Marburg-Dagobertshausen++35041+DE'

No = Consecutive segment number  
 MaxOcc = Maximum occurrence of the segment/group  
 Counter = Counter of segment/group within the standard

St = Status  
 EDIFACT: M=Mandatory, C=Conditional  
 User specific: R=Required, O=Optional, D=Dependent,  
 A=Advised, N=Not used

Counter	No	Tag	St	MaxOcc	Level	Name
0190		<b>SG6</b>	C	9999	1	<b>GIS-SG7-SG12</b>
0200	6	<b>GIS</b>	M	1	1	<b>GENERAL INDICATOR</b>

Standard			Implementation	
Tag	Name	St Format	St Format	Usage / Remark
GIS				
C529	PROCESSING INDICATOR	M	M	
7365	Processing indicator, coded	M an..3	M an..3	<b>37 Complete information</b>
1131	Code list qualifier	C an..3	N	Not used
3055	Code list responsible agency, coded	C an..3	N	Not used
7187	Process type identification	C an..17	N	Not used

**Remark:****Example:**

GIS+37'

No = Consecutive segment number  
 MaxOcc = Maximum occurrence of the segment/group  
 Counter = Counter of segment/group within the standard

St = Status  
 EDIFACT: M=Mandatory, C=Conditional  
 User specific: R=Required, O=Optional, D=Dependent,  
 A=Advised, N=Not used

Counter	No	Tag	St	MaxOcc	Level	Name	
	0210	<b>SG7</b>	C	1	2	<b>NAD</b>	
	0220	7	<b>NAD</b>	M	1	2	<b>NAME AND ADDRESS</b>

Standard			Implementation	
Tag	Name	St Format	St Format	Usage / Remark
NAD				
3035	Party qualifier	M an..3	M an..3	<b>ST Ship to</b>
C082	PARTY IDENTIFICATION DETAILS	C	C	
3039	Party id. identification	M an..35	M an..35	
1131	Code list qualifier	C an..3	N	Not used
3055	Code list responsible agency, coded	C an..3	C an..3	<b>92 Assigned by buyer or buyer's agent</b>
C058	NAME AND ADDRESS	C	N	
3124	Name and address line	M an..35	N	Not used
3124	Name and address line	C an..35	N	Not used
3124	Name and address line	C an..35	N	Not used
3124	Name and address line	C an..35	N	Not used
3124	Name and address line	C an..35	N	Not used
C080	PARTY NAME	C	C	
3036	Party name	M an..35	M an..35	
3036	Party name	C an..35	N	Not used
3036	Party name	C an..35	N	Not used
3036	Party name	C an..35	N	Not used
3036	Party name	C an..35	N	Not used
3045	Party name format, coded	C an..3	N	Not used
C059	STREET	C	C	
3042	Street and number/p.o. box	M an..35	M an..35	
3042	Street and number/p.o. box	C an..35	N	Not used
3042	Street and number/p.o. box	C an..35	N	Not used
3042	Street and number/p.o. box	C an..35	N	Not used
3164	City name	C an..35	C an..35	
3229	Country sub-entity identification	C an..9	N	Not used
3251	Postcode identification	C an..9	C an..9	
3207	Country, coded	C an..3	C an..3	<b>ES SPAIN</b> Further codes can be used.

**Remark:**

**Example:**

NAD+ST+0172::92++JIT MARTORELL SA+C/Progrès 6-10 Nave 1.1+Abrera++08630+ES'

No = Consecutive segment number  
 MaxOcc = Maximum occurrence of the segment/group  
 Counter = Counter of segment/group within the standard

St = Status  
 EDIFACT: M=Mandatory, C=Conditional  
 User specific: R=Required, O=Optional, D=Dependent, A=Advised, N=Not used

Counter	No	Tag	St	MaxOcc	Level	Name
0370		<b>SG12</b>	C	9999	2	LIN-PIA-IMD-SG13-SG15-SG17
0380	8	<b>LIN</b>	M	1	2	LINE ITEM

Standard			Implementation	
Tag	Name	St Format	St Format	Usage / Remark
LIN				
1082	Line item number	C an..6	N	Not used
1229	Action request/notification, coded	C an..3	N	Not used
C212	ITEM NUMBER IDENTIFICATION	C	C	
7140	Item number	C an..35	M an..35	
7143	Item number type, coded	C an..3	M an..3	<b>IN Buyer's item number</b>
1131	Code list qualifier	C an..3	N	Not used
3055	Code list responsible agency, coded	C an..3	N	Not used
C829	SUB-LINE INFORMATION	C	N	
5495	Sub-line indicator, coded	C an..3	N	Not used
1082	Line item number	C an..6	N	Not used
1222	Configuration level	C n..2	N	Not used
7083	Configuration, coded	C an..3	N	Not used

**Remark:**

**Example:**

LIN+++13919895:IN'

No = Consecutive segment number  
 MaxOcc = Maximum occurrence of the segment/group  
 Counter = Counter of segment/group within the standard

St = Status  
 EDIFACT: M=Mandatory, C=Conditional  
 User specific: R=Required, O=Optional, D=Dependent, A=Advised, N=Not used

Counter	No	Tag	St	MaxOcc	Level	Name
0370		<b>SG12</b>	C	9999	2	LIN-PIA-IMD-SG13-SG15-SG17
0390	9	<b>PIA</b>	C	10	3	ADDITIONAL PRODUCT ID

Standard			Implementation		
Tag	Name	St Format	St Format	Usage / Remark	
PIA					
4347	Product id. function qualifier	M an..3	M an..3	<b>1 Additional identification</b>	
C212	ITEM NUMBER IDENTIFICATION	M	M		
7140	Item number	C an..35	C an..35	Change level identification If there is no change level assigned to a part, Benteler will send a minus sign.	
7143	Item number type, coded	C an..3	C an..3	<b>EC Engineering change level</b>	
1131	Code list qualifier	C an..3	N	Not used	
3055	Code list responsible agency, coded	C an..3	N	Not used	
C212	ITEM NUMBER IDENTIFICATION	C	C		
7140	Item number	C an..35	C an..35	Supplier's material number	
7143	Item number type, coded	C an..3	N	Not used	
1131	Code list qualifier	C an..3	N	Not used	
3055	Code list responsible agency, coded	C an..3	N	Not used	
C212	ITEM NUMBER IDENTIFICATION	C	C		
7140	Item number	C an..35	C an..35	<b>SA Supplier's article number</b>	
7143	Item number type, coded	C an..3	N	Not used	
1131	Code list qualifier	C an..3	N	Not used	
3055	Code list responsible agency, coded	C an..3	N	Not used	
C212	ITEM NUMBER IDENTIFICATION	C	N		
7140	Item number	C an..35	N	Not used	
7143	Item number type, coded	C an..3	N	Not used	
1131	Code list qualifier	C an..3	N	Not used	
3055	Code list responsible agency, coded	C an..3	N	Not used	
C212	ITEM NUMBER IDENTIFICATION	C	N		
7140	Item number	C an..35	N	Not used	
7143	Item number type, coded	C an..3	N	Not used	
1131	Code list qualifier	C an..3	N	Not used	
3055	Code list responsible agency, coded	C an..3	N	Not used	

**Remark:**

**Example:**

PIA+1+A:EC+45452312+SA'

No = Consecutive segment number  
 MaxOcc = Maximum occurrence of the segment/group  
 Counter = Counter of segment/group within the standard

St = Status  
 EDIFACT: M=Mandatory, C=Conditional  
 User specific: R=Required, O=Optional, D=Dependent, A=Advised, N=Not used

Counter	No	Tag	St	MaxOcc	Level	Name	
	0370	<b>SG12</b>	C	9999	2	LIN-PIA-IMD-SG13-SG15-SG17	
	0400	10	<b>IMD</b>	C	10	3	ITEM DESCRIPTION

Standard			Implementation	
Tag	Name	St Format	St Format	Usage / Remark
IMD				
7077	Item description type, coded	C an..3	C an..3	<b>E Free-form short description</b>
7081	Item characteristic, coded	C an..3	N	Not used
C273	ITEM DESCRIPTION	C	C	
7009	Item description identification	C an..17	N	Not used
1131	Code list qualifier	C an..3	N	Not used
3055	Code list responsible agency, coded	C an..3	N	Not used
7008	Item description	C an..35	C an..35	
7008	Item description	C an..35	N	Not used
3453	Language, coded	C an..3	N	Not used
7383	Surface/layer indicator, coded	C an..3	N	Not used

**Remark:**

**Example:**

IMD+E+:::Item description'

No = Consecutive segment number  
 MaxOcc = Maximum occurrence of the segment/group  
 Counter = Counter of segment/group within the standard

St = Status  
 EDIFACT: M=Mandatory, C=Conditional  
 User specific: R=Required, O=Optional, D=Dependent,  
 A=Advised, N=Not used

Counter	No	Tag	St	MaxOcc	Level	Name
0480		<b>SG13</b>	C	10	3	RFF
0490	11	<b>RFF</b>	M	1	3	REFERENCE

Standard			Implementation	
Tag	Name	St Format	St Format	Usage / Remark
RFF				
C506	REFERENCE	M	M	
1153	Reference qualifier	M an..3	M an..3	<b>AAN Delivery schedule number</b> <b>ON Order number (purchase)</b>
1154	Reference number	C an..35	M an..35	Relevant for the defined part in the preceding LIN segment.
1156	Line number	C an..6	O an..6	Line item number of the purchase order, relevant for the defined part in the preceding LIN segment.
4000	Reference version number	C an..35	N	Not used

**Remark:**

**Example:**

RFF+ON:0051093143:00020'

No = Consecutive segment number  
 MaxOcc = Maximum occurrence of the segment/group  
 Counter = Counter of segment/group within the standard

St = Status  
 EDIFACT: M=Mandatory, C=Conditional  
 User specific: R=Required, O=Optional, D=Dependent,  
 A=Advised, N=Not used



Counter	No	Tag	St	MaxOcc	Level	Name
	0540	<b>SG15</b>	C	10	3	QTY-DTM-SG16
	0550	<b>QTY</b>	M	1	3	QUANTITY

Standard			Implementation	
Tag	Name	St Format	St Format	Usage / Remark
QTY				
C186	QUANTITY DETAILS	M	M	
6063	Quantity qualifier	M an..3	M an..3	<b>48 Received quantity</b> <b>70 Cumulative quantity received</b>
6060	Quantity	M n..15	M n..15	
6411	Measure unit qualifier	C an..3	M an..3	<b>C62 one</b> Further codes can be used.

**Remark:**

**Example:**

QTY+70:638925:C62'

No = Consecutive segment number  
 MaxOcc = Maximum occurrence of the segment/group  
 Counter = Counter of segment/group within the standard

St = Status  
 EDIFACT: M=Mandatory, C=Conditional  
 User specific: R=Required, O=Optional, D=Dependent,  
 A=Advised, N=Not used

Counter	No	Tag	St	MaxOcc	Level	Name
	0540	<b>SG15</b>	C	10	3	<b>QTY-DTM-SG16</b>
	0560	<b>DTM</b>	C	2	4	<b>DATE/TIME/PERIOD</b>

Standard			Implementation	
Tag	Name	St Format	St Format	Usage / Remark
DTM				
C507	DATE/TIME/PERIOD	M	M	
2005	Date/time/period qualifier	M an..3	M an..3	<b>51 Cumulative quantity start date</b>
2380	Date/time/period	C an..35	M an..35	
2379	Date/time/period format qualifier	C an..3	M an..3	<b>102 CCYYMMDD</b>

**Remark:****Example:**

DTM+51:20141001:102'

No = Consecutive segment number  
 MaxOcc = Maximum occurrence of the segment/group  
 Counter = Counter of segment/group within the standard

St = Status  
 EDIFACT: M=Mandatory, C=Conditional  
 User specific: R=Required, O=Optional, D=Dependent,  
 A=Advised, N=Not used

Counter	No	Tag	St	MaxOcc	Level	Name
0570		<b>SG16</b>	C	10	4	RFF-DTM
0580	14	<b>RFF</b>	M	1	4	REFERENCE

Standard			Implementation	
Tag	Name	St Format	St Format	Usage / Remark
RFF				
C506	REFERENCE	M	M	
1153	Reference qualifier	M an..3	M an..3	<b>SI SID (Shipper's identifying number for shipment)</b>
1154	Reference number	C an..35	C an..35	
1156	Line number	C an..6	N	Not used
4000	Reference version number	C an..35	N	Not used

**Remark:**

**Example:**

RFF+SI:658310'

No = Consecutive segment number  
 MaxOcc = Maximum occurrence of the segment/group  
 Counter = Counter of segment/group within the standard

St = Status  
 EDIFACT: M=Mandatory, C=Conditional  
 User specific: R=Required, O=Optional, D=Dependent,  
 A=Advised, N=Not used

Counter	No	Tag	St	MaxOcc	Level	Name
	0570	<b>SG16</b>	C	10	4	RFF-DTM
	0590	<b>DTM</b>	C	1	5	DATE/TIME/PERIOD

Standard			Implementation	
Tag	Name	St Format	St Format	Usage / Remark
DTM				
C507	DATE/TIME/PERIOD	M	M	
2005	Date/time/period qualifier	M an..3	M an..3	<b>50 Goods receipt date/time</b>
2380	Date/time/period	C an..35	M an..35	
2379	Date/time/period format qualifier	C an..3	M an..3	<b>102 CCYYMMDD</b>

**Remark:**

**Example:**

DTM+50:20141001:102'

No = Consecutive segment number  
 MaxOcc = Maximum occurrence of the segment/group  
 Counter = Counter of segment/group within the standard

St = Status  
 EDIFACT: M=Mandatory, C=Conditional  
 User specific: R=Required, O=Optional, D=Dependent,  
 A=Advised, N=Not used

Counter	No	Tag	St	MaxOcc	Level	Name
0600		<b>SG17</b>	C	999	3	<b>SCC-SG18</b>
0610	16	<b>SCC</b>	M	1	3	<b>SCHEDULING CONDITIONS</b>

Standard			Implementation	
Tag	Name	St Format	St Format	Usage / Remark
SCC				
4017	Delivery plan status indicator, coded	M an..3	M an..3	<b>1 Firm</b> <b>3 Commitment for material</b> <b>4 Planning/forecast</b> <b>10 Immediate</b>
4493	Delivery requirements, coded	C an..3	N	Not used
C329	PATTERN DESCRIPTION	C	C	
2013	Frequency, coded	C an..3	M an..3	<b>D Discrete</b> <b>M Monthly (calendar months)</b> <b>W Weekly</b>
2015	Despatch pattern, coded	C an..3	N	Not used
2017	Despatch pattern timing, coded	C an..3	N	Not used

**Remark:**

**Example:**

SCC+10++D'

No = Consecutive segment number  
 MaxOcc = Maximum occurrence of the segment/group  
 Counter = Counter of segment/group within the standard

St = Status  
 EDIFACT: M=Mandatory, C=Conditional  
 User specific: R=Required, O=Optional, D=Dependent,  
 A=Advised, N=Not used

Counter	No	Tag	St	MaxOcc	Level	Name
	0620	<b>SG18</b>	C	999	4	<b>QTY-DTM</b>
	0630	<b>QTY</b>	M	1	4	<b>QUANTITY</b>

Standard			Implementation	
Tag	Name	St Format	St Format	Usage / Remark
QTY				
C186	QUANTITY DETAILS	M	M	
6063	Quantity qualifier	M an..3	M an..3	<b>1 Discrete quantity</b> <b>3 Cumulative quantity</b>
6060	Quantity	M n..15	M n..15	
6411	Measure unit qualifier	C an..3	M an..3	<b>C62 one</b> Further codes can be used.

**Remark:**

**Example:**

QTY+1 : 4200 : C62 '

No = Consecutive segment number  
 MaxOcc = Maximum occurrence of the segment/group  
 Counter = Counter of segment/group within the standard

St = Status  
 EDIFACT: M=Mandatory, C=Conditional  
 User specific: R=Required, O=Optional, D=Dependent,  
 A=Advised, N=Not used

Counter	No	Tag	St	MaxOcc	Level	Name
	0620	<b>SG18</b>	C	999	4	<b>QTY-DTM</b>
	0640	18 <b>DTM</b>	C	2	5	<b>DATE/TIME/PERIOD</b>

Standard			Implementation	
Tag	Name	St Format	St Format	Usage / Remark
DTM				
C507	DATE/TIME/PERIOD	M	M	
2005	Date/time/period qualifier	M an..3	M an..3	<b>10 Shipment date/time, requested</b>
2380	Date/time/period	C an..35	M an..35	
2379	Date/time/period format qualifier	C an..3	M an..3	<b>102 CCYYMMDD</b> <b>203 CCYYMMDDHHMM</b>

**Remark:**

**Example:**

DTM+10:20140930:102'

No = Consecutive segment number  
 MaxOcc = Maximum occurrence of the segment/group  
 Counter = Counter of segment/group within the standard

St = Status  
 EDIFACT: M=Mandatory, C=Conditional  
 User specific: R=Required, O=Optional, D=Dependent,  
 A=Advised, N=Not used

Counter	No	Tag	St	MaxOcc	Level	Name
1030	19	<b>UNT</b>	M	1	0	MESSAGE TRAILER

Standard			Implementation	
Tag	Name	St Format	St Format	Usage / Remark
UNT				
0074	Number of segments in a message	M n..6	M n..6	
0062	Message reference number	M an..14	M an..14	

**Remark:****Example:**

UNT+76+1'

No = Consecutive segment number  
 MaxOcc = Maximum occurrence of the segment/group  
 Counter = Counter of segment/group within the standard

St = Status  
 EDIFACT: M=Mandatory, C=Conditional  
 User specific: R=Required, O=Optional, D=Dependent,  
 A=Advised, N=Not used



Counter	No	Tag	St	MaxOcc	Level	Name
0000	20	<b>UNZ</b>	M	1	0	INTERCHANGE TRAILER

Standard			Implementation	
Tag	Name	St Format	St Format	Usage / Remark
UNZ				
0036	Interchange control count	M n..6	M n..6	
0020	Interchange control reference	M an..14	M an..14	

**Remark:**

**Example:**

UNZ+1+5188'

No = Consecutive segment number  
 MaxOcc = Maximum occurrence of the segment/group  
 Counter = Counter of segment/group within the standard

St = Status  
 EDIFACT: M=Mandatory, C=Conditional  
 User specific: R=Required, O=Optional, D=Dependent,  
 A=Advised, N=Not used

## Example of an EDIFACT DELFOR D.97A message:

```

UNB+UNOC:3+00013000409BENTELERXX1001+ODEDICOMP+141007:1433+5188
UNH+1+DELFOR:D:97A:UN
BGM+241:::PS+079692057+9
DTM+137:201410071433:203
NAD+SU+H/2000146::92++Tech Vibration Control GmbH+Im Dorfe 1+Marburg-Dagobertshausen++35041+DE
NAD+SF+H/2000146::92++Tech Vibration Control GmbH+Im Dorfe 1+Marburg-Dagobertshausen++35041+DE
GIS+37
NAD+ST+0172::92++JIT MARTORELL SA+C/Progrès 6-10 Nave 1.1+Abreña++08630+ES
LIN+++13919895:IN
PIA+1+A:EC+45452312+SA
IMD+E+:::Item description
RFF+ON:0051093143:00020
RFF+AA:198
QTY+70:638925:C62
DTM+51:20141001:102
QTY+48:4200:C62
RFF+SI:658310
DTM+50:20141001:102
SCC+10++D
QTY+1:4200:C62
DTM+10:20140930:102
QTY+1:8400:C62
DTM+10:20141007:102
SCC+1++D
QTY+1:4200:C62
DTM+10:20141014:102
QTY+1:4200:C62
DTM+10:20141021:102
QTY+1:4200:C62
DTM+10:20141021:102
QTY+1:4200:C62
DTM+10:20141028:102
QTY+1:4200:C62
DTM+10:20141104:102
SCC+3++D
QTY+1:4200:C62
DTM+10:20141111:102
QTY+1:4200:C62
DTM+10:201411180815:203
QTY+1:4200:C62
DTM+10:201411181145:203
QTY+1:4200:C62
DTM+10:20141125:102
QTY+1:4200:C62
DTM+10:20141128:102
QTY+1:4200:C62
DTM+10:20141219:102
SCC+4++D
QTY+1:4200:C62
DTM+10:20141224:102
QTY+1:4200:C62
DTM+10:20150105:102
QTY+1:4200:C62
DTM+10:20150105:102

```

No = Consecutive segment number  
 MaxOcc = Maximum occurrence of the segment/group  
 Counter = Counter of segment/group within the standard

St = Status  
 EDIFACT: M=Mandatory, C=Conditional  
 User specific: R=Required, O=Optional, D=Dependent,  
 A=Advised, N=Not used

QTY+1:4200:C62  
DTM+10:20150113:102  
QTY+1:4200:C62  
DTM+10:20150120:102  
QTY+1:4200:C62  
DTM+10:20150120:102  
QTY+1:4200:C62  
DTM+10:20150127:102  
QTY+1:4200:C62  
DTM+10:20150203:102  
QTY+1:4200:C62  
DTM+10:20150210:102  
QTY+1:4200:C62  
DTM+10:20150211:102  
QTY+1:4200:C62  
DTM+10:20150217:102  
SCC+4++W  
QTY+1:4200:C62  
DTM+10:20150223:102  
SCC+4++M  
QTY+1:4200:C62  
DTM+10:20150302:102  
UNT+76+1  
UNZ+1+5188

No = Consecutive segment number  
MaxOcc = Maximum occurrence of the segment/group  
Counter = Counter of segment/group within the standard

St = Status  
EDIFACT: M=Mandatory, C=Conditional  
User specific: R=Required, O=Optional, D=Dependent,  
A=Advised, N=Not used