



Message Implementation Guideline

## **EDIFACT INVRPT D.97A**

based on

### **INVRPT**

Inventory report message

### **UN D.97A S3**

Version: 1.2  
Issue date: 03.04.2019  
Author: Benteler Business Services GmbH

1 Message Structure.....	2
2 Branching Diagram .....	3
3 Segments .....	6

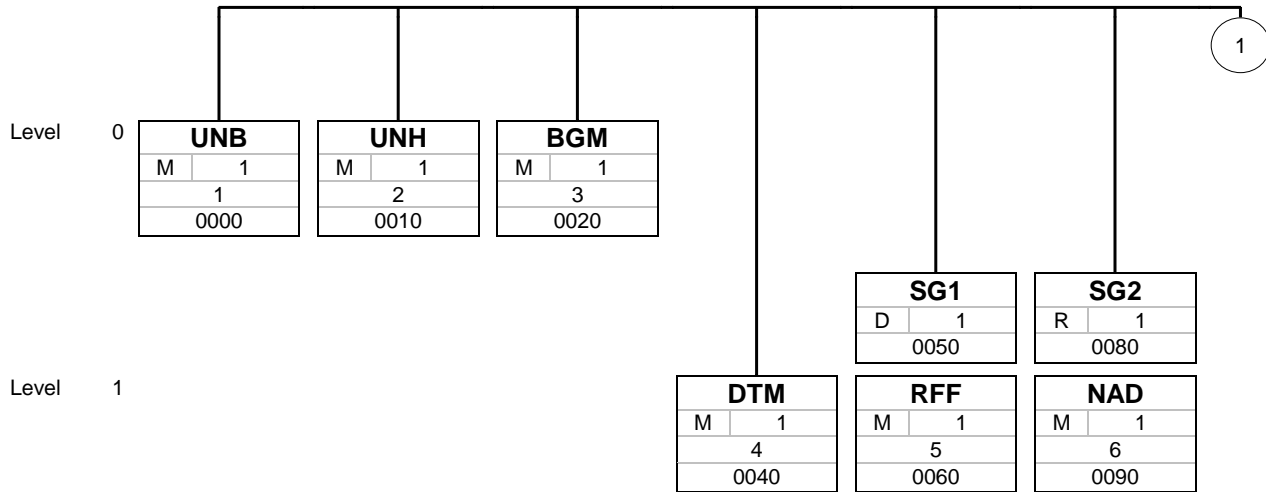
## Structure / Table of Contents

Counter	No	Tag	St	MaxOcc	Level	Content
0000	1	<b>UNB</b>	M	1	0	INTERCHANGE HEADER
0010	2	<b>UNH</b>	M	1	0	MESSAGE HEADER
0020	3	<b>BGM</b>	M	1	0	BEGINNING OF MESSAGE
0040	4	<b>DTM</b>	M	1	1	DOCUMENT DATE
0050		<b>SG1</b>	D	1	1	BENTELER REFERENCE
0060	5	<b>RFF</b>	M	1	1	REFERENCE
0080		<b>SG2</b>	R	1	1	SELLER INFORMATION
0090	6	<b>NAD</b>	M	1	1	NAME AND ADDRESS
0080		<b>SG2</b>	O	1	1	BUYER INFORMATION
0090	7	<b>NAD</b>	M	1	1	NAME AND ADDRESS
0290		<b>SG9</b>	R	9999	1	LIN-PIA-SG11
0300	8	<b>LIN</b>	M	1	1	LINE ITEM
0310	9	<b>PIA</b>	O	10	2	ADDITIONAL PRODUCT ID
0420		<b>SG11</b>	R	9999	2	INV-QTY-SG12-SG14
0430	10	<b>INV</b>	M	1	2	INVENTORY MANAGEMENT RELATED DETAILS
0440	11	<b>QTY</b>	M	1	3	QUANTITY
0490		<b>SG12</b>	R	1	3	CONSIGNEE INFORMATION
0500	12	<b>NAD</b>	M	1	3	NAME AND ADDRESS
0560		<b>SG14</b>	D	10	3	RFF-DTM
0570	13	<b>RFF</b>	M	1	3	REFERENCE
0580	14	<b>DTM</b>	D	1	4	DOCUMENT DATE
0700	15	<b>UNT</b>	M	1	0	MESSAGE TRAILER
0000	16	<b>UNZ</b>	M	1	0	INTERCHANGE TRAILER

Counter = Counter of segment/group within the standard  
 No = Consecutive segment number  
 MaxOcc = Maximum occurrence of the segment/group

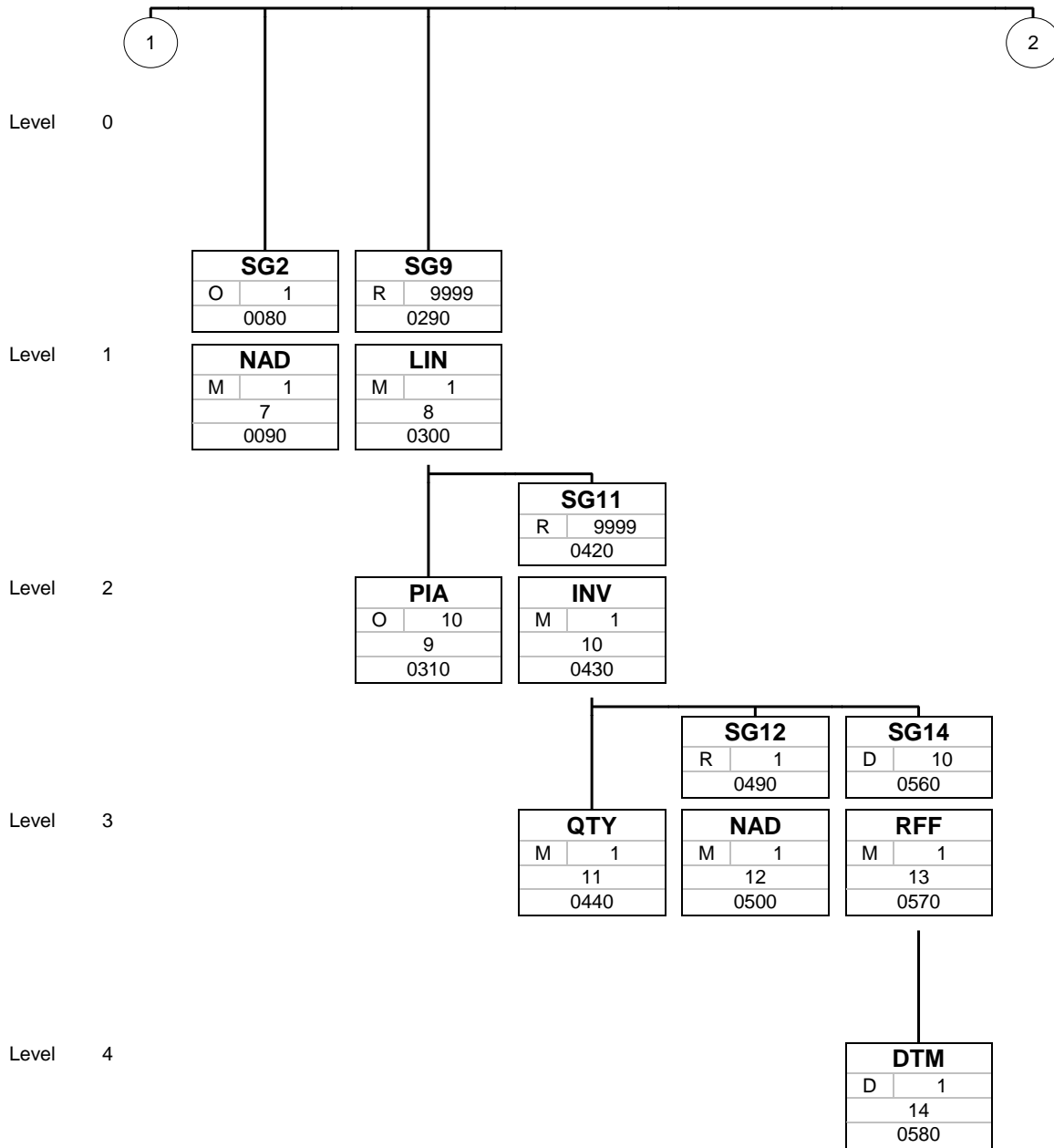
St = Status  
 EDIFACT: M=Mandatory, C=Conditional  
 User specific: R=Required, O=Optional, D=Dependent,  
 A=Advised, N=Not used

**Branching Diagram of Used Segments/Groups**



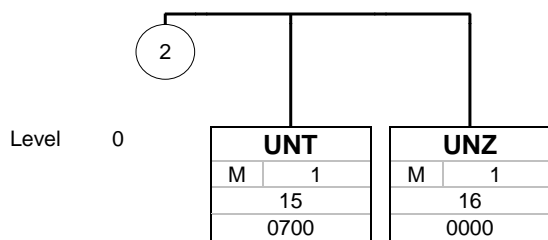
Tag
St MaxOcc
No
Counter

Tag = Segment/Group Tag  
 St = Status (M=Mandatory, C=Conditional, R=Required, O=Optional, A=Advised, D=Dependent)  
 MaxOcc = Maximum occurrence of the segment/group  
 No = Consecutive segment number  
 Counter = Counter of segment/group within the standard



Tag	
St	MaxOcc
No	
Counter	

Tag = Segment/Group Tag  
 St = Status (M=Mandatory, C=Conditional, R=Required, O=Optional, A=Advised, D=Dependent)  
 MaxOcc = Maximum occurrence of the segment/group  
 No = Consecutive segment number  
 Counter = Counter of segment/group within the standard



Tag
St MaxOcc
No
Counter

Tag = Segment/Group Tag  
 St = Status (M=Mandatory, C=Conditional, R=Required, O=Optional, A=Advised, D=Dependent)  
 MaxOcc = Maximum occurrence of the segment/group  
 No = Consecutive segment number  
 Counter = Counter of segment/group within the standard

## Segments

Counter	No	Tag	St	MaxOcc	Level	Name
---------	----	-----	----	--------	-------	------

0000	1	<b>UNB</b>	M	1	0	INTERCHANGE HEADER
------	---	------------	---	---	---	--------------------

		Standard	Implementation	
Tag	Name	St Format	St Format	Usage / Remark
UNB				
S001	SYNTAX IDENTIFIER	M	M	
0001	Syntax identifier	M a4	M a4	<b>UNOC UN/ECE level C</b>
0002	Syntax version number	M n1	M n1	<b>3 Version 3</b>
S002	INTERCHANGE SENDER	M	M	
0004	Sender identification	M an..35	M an..35	Will be defined for each Benteler Region.
0007	Partner identification code qualifier	C an..4	N	Not used
0008	Address for reverse routing	C an..14	N	Not used
S003	INTERCHANGE RECIPIENT	M	M	
0010	Recipient identification	M an..35	M an..35	Defined by Receiver.
0007	Partner identification code qualifier	C an..4	N	Not used
0014	Routing address	C an..14	N	Not used
S004	DATE/TIME OF PREPARATION	M	M	
0017	Date of preparation	M n6	M n6	Format is DDMMYY
0019	Time of preparation	M n4	M n4	Format is HHMM
0020	Interchange control reference	M an..14	M an..14	Unique Interchange control ID.
S005	RECIPIENT'S REFERENCE PASSWORD	C	N	
0022	Recipient's reference/password	M an..14	N	Not used
0025	Recipient's reference/password qualifier	C an2	N	Not used
0026	Application reference	C an..14	N	Not used
0029	Processing priority code	C a1	N	Not used
0031	Acknowledgement request	C n1	N	Not used
0032	Communications agreement ID	C an..35	N	Not used
0035	Test indicator	C n1	N	Not used

### Remark:

### Example:

UNB+UNOC:3+SENDERID+RECEIVERID+301216:1005+2530014'

No = Consecutive segment number  
 MaxOcc = Maximum occurrence of the segment/group  
 Counter = Counter of segment/group within the standard

St = Status  
 EDIFACT: M=Mandatory, C=Conditional  
 User specific: R=Required, O=Optional, D=Dependent,  
 A=Advised, N=Not used

Counter	No	Tag	St	MaxOcc	Level	Name
0010	2	<b>UNH</b>	M	1	0	MESSAGE HEADER

		Standard	Implementation	
Tag	Name	St Format	St Format	Usage / Remark
UNH				
0062	Message reference number	M an..14	M an..14	Message Number
S009	MESSAGE IDENTIFIER	M	M	
0065	Message type identifier	M an..6	M an..6	<b>INVRPT Inventory report message</b>
0052	Message type version number	M an..3	M an..3	<b>D Draft version/UN/EDIFACT Directory</b>
0054	Message type release number	M an..3	M an..3	<b>97A Release 1997 - A</b>
0051	Controlling agency	M an..2	M an..2	<b>UN UN/ECE/TRADE/WP.4</b>
0057	Association assigned code	C an..6	N	Not used
0068	Common access reference	C an..35	N	Not used
S010	STATUS OF THE TRANSFER	C	N	
0070	Sequence message transfer number	M n..2	N	Not used
0073	First/last sequence message transfer indication	C a1	N	Not used

**Remark:****Example:**

UNH+1+INVRPT:D:97A:UN'

No = Consecutive segment number  
 MaxOcc = Maximum occurrence of the segment/group  
 Counter = Counter of segment/group within the standard

St = Status  
 EDIFACT: M=Mandatory, C=Conditional  
 User specific: R=Required, O=Optional, D=Dependent,  
 A=Advised, N=Not used

Counter	No	Tag	St	MaxOcc	Level	Name
0020	3	<b>BGM</b>	M	1	0	BEGINNING OF MESSAGE

		Standard	Implementation		
Tag	Name	St Format	St Format	Usage / Remark	
<b>BGM</b>					
C002	DOCUMENT/MESSAGE NAME	C	R		
1001	Document/message name, coded	C an..3	R an..3	<b>77 Status report</b> <b>78 Inventory movement advice</b> <b>79 Inventory status advice</b>	
1131	Code list qualifier	C an..3	N	Not used	
3055	Code list responsible agency, coded	C an..3	N	Not used	
1000	Document/message name	C an..35	N	Not used	
C106	DOCUMENT/MESSAGE IDENTIFICATION	C	R		
1004	Document/message number	C an..35	R an..35	Document ID	
1056	Version	C an..9	N	Not used	
1060	Revision number	C an..6	N	Not used	
1225	Message function, coded	C an..3	N	Not used	
4343	Response type, coded	C an..3	N	Not used	

**Remark:**

**Example:**

BGM+78+0000000002530014'

No = Consecutive segment number  
 MaxOcc = Maximum occurrence of the segment/group  
 Counter = Counter of segment/group within the standard

St = Status  
 EDIFACT: M=Mandatory, C=Conditional  
 User specific: R=Required, O=Optional, D=Dependent,  
 A=Advised, N=Not used



Counter	No	Tag	St	MaxOcc	Level	Name
0040	4	<b>DTM</b>	M	1	1	DOCUMENT DATE

		Standard	Implementation	
Tag	Name	St Format	St Format	Usage / Remark
DTM				
C507	DATE/TIME/PERIOD	M	M	
2005	Date/time/period qualifier	M an..3	M an..3	<b>137 Document/message date/time</b>
2380	Date/time/period	C an..35	R an..35	Example= 201612301005
2379	Date/time/period format qualifier	C an..3	R an..3	<b>203 CCYYMMDDHHMM</b>

**Remark:**

**Example:**

DTM+137:201612301005:203'

No = Consecutive segment number  
 MaxOcc = Maximum occurrence of the segment/group  
 Counter = Counter of segment/group within the standard

St = Status  
 EDIFACT: M=Mandatory, C=Conditional  
 User specific: R=Required, O=Optional, D=Dependent,  
 A=Advised, N=Not used

Counter	No	Tag	St	MaxOcc	Level	Name
0050		<b>SG1</b>	D	1	1	<b>BENTELER REFERENCE</b>
		Benteler defined Value.				
0060	5	<b>RFF</b>	M	1	1	<b>REFERENCE</b>

Standard			Implementation	
Tag	Name	St Format	St Format	Usage / Remark
RFF				
C506	REFERENCE	M	M	
1153	Reference qualifier	M an..3	M an..3	<b>ZZZ Mutually defined reference number</b>
1154	Reference number	C an..35	R an..35	Benteler defined value.
1156	Line number	C an..6	N	Not used
4000	Reference version number	C an..35	N	Not used

**Remark:**

**Example:**

RFF+ZZZ:0024555369'

No = Consecutive segment number  
 MaxOcc = Maximum occurrence of the segment/group  
 Counter = Counter of segment/group within the standard

St = Status  
 EDIFACT: M=Mandatory, C=Conditional  
 User specific: R=Required, O=Optional, D=Dependent,  
 A=Advised, N=Not used

Counter	No	Tag	St	MaxOcc	Level	Name
0080		<b>SG2</b>	R	1	1	<b>SELLER INFORMATION</b>
0090	6	<b>NAD</b>	M	1	1	<b>NAME AND ADDRESS</b>

Standard			Implementation	
Tag	Name	St Format	St Format	Usage / Remark
NAD				
3035	Party qualifier	M an..3	M an..3	<b>SE Seller</b>
C082	PARTY IDENTIFICATION DETAILS	C	R	
3039	Party id. identification	M an..35	M an..35	Seller ID
1131	Code list qualifier	C an..3	N	Not used
3055	Code list responsible agency, coded	C an..3	O an..3	<b>92 Assigned by buyer or buyer's agent</b>
C058 NAME AND ADDRESS				
3124	Name and address line	M an..35	N	Not used
3124	Name and address line	C an..35	N	Not used
3124	Name and address line	C an..35	N	Not used
3124	Name and address line	C an..35	N	Not used
3124	Name and address line	C an..35	N	Not used
C080 PARTY NAME				
3036	Party name	M an..35	M an..35	Seller Name
3036	Party name	C an..35	N	Not used
3036	Party name	C an..35	N	Not used
3036	Party name	C an..35	N	Not used
3036	Party name	C an..35	N	Not used
3045	Party name format, coded	C an..3	N	Not used
C059 STREET				
3042	Street and number/p.o. box	M an..35	M an..35	Seller Street
3042	Street and number/p.o. box	C an..35	N	Not used
3042	Street and number/p.o. box	C an..35	N	Not used
3042	Street and number/p.o. box	C an..35	N	Not used
3164	City name	C an..35	O an..35	Seller City
3229	Country sub-entity identification	C an..9	N	Not used
3251	Postcode identification	C an..9	O an..9	Seller ZIP Code
3207	Country, coded	C an..3	O an..3	<b>DE GERMANY</b> Further codes can be used.

**Remark:****Example:**

NAD+SE+400740::92++Seller Name+Seller Street+Seller City++33303+DE'

No = Consecutive segment number  
 MaxOcc = Maximum occurrence of the segment/group  
 Counter = Counter of segment/group within the standard

St = Status  
 EDIFACT: M=Mandatory, C=Conditional  
 User specific: R=Required, O=Optional, D=Dependent,  
 A=Advised, N=Not used

Counter	No	Tag	St	MaxOcc	Level	Name
0080		<b>SG2</b>	O	1	1	<b>BUYER INFORMATION</b>
0090	7	<b>NAD</b>	M	1	1	<b>NAME AND ADDRESS</b>

Standard			Implementation	
Tag	Name	St Format	St Format	Usage / Remark
NAD				
3035	Party qualifier	M an..3	M an..3	<b>BY Buyer</b>
C082	PARTY IDENTIFICATION DETAILS	C	R	
3039	Party id. identification	M an..35	M an..35	Buyer ID
1131	Code list qualifier	C an..3	N	Not used
3055	Code list responsible agency, coded	C an..3	O an..3	<b>92 Assigned by buyer or buyer's agent</b>
C058	NAME AND ADDRESS	C	N	
3124	Name and address line	M an..35	N	Not used
3124	Name and address line	C an..35	N	Not used
3124	Name and address line	C an..35	N	Not used
3124	Name and address line	C an..35	N	Not used
3124	Name and address line	C an..35	N	Not used
C080	PARTY NAME	C	O	
3036	Party name	M an..35	M an..35	Buyer Name
3036	Party name	C an..35	N	Not used
3036	Party name	C an..35	N	Not used
3036	Party name	C an..35	N	Not used
3036	Party name	C an..35	N	Not used
3045	Party name format, coded	C an..3	N	Not used
C059	STREET	C	O	
3042	Street and number/p.o. box	M an..35	M an..35	Buyer Street
3042	Street and number/p.o. box	C an..35	N	Not used
3042	Street and number/p.o. box	C an..35	N	Not used
3042	Street and number/p.o. box	C an..35	N	Not used
3164	City name	C an..35	O an..35	Buyer City
3229	Country sub-entity identification	C an..9	N	Not used
3251	Postcode identification	C an..9	O an..9	Buyer ZIP code
3207	Country, coded	C an..3	O an..3	<b>DE GERMANY</b> Further codes can be used.

**Remark:****Example:**

NAD+BY+200478::92++Buyer Name+Buyer Street+Buyer City++33939+DE'

No = Consecutive segment number  
 MaxOcc = Maximum occurrence of the segment/group  
 Counter = Counter of segment/group within the standard

St = Status  
 EDIFACT: M=Mandatory, C=Conditional  
 User specific: R=Required, O=Optional, D=Dependent,  
 A=Advised, N=Not used

Counter	No	Tag	St	MaxOcc	Level	Name
0290		<b>SG9</b>	R	9999	1	LIN-PIA-SG11
0300	8	<b>LIN</b>	M	1	1	LINE ITEM

Standard			Implementation	
Tag	Name	St Format	St Format	Usage / Remark
LIN				
1082	Line item number	C an..6	N	Not used
1229	Action request/notification, coded	C an..3	N	Not used
C212	ITEM NUMBER IDENTIFICATION	C	R	
7140	Item number	C an..35	R an..35	Item number
7143	Item number type, coded	C an..3	R an..3	<b>IN Buyer's item number</b>
1131	Code list qualifier	C an..3	N	Not used
3055	Code list responsible agency, coded	C an..3	N	Not used
C829	SUB-LINE INFORMATION	C	N	
5495	Sub-line indicator, coded	C an..3	N	Not used
1082	Line item number	C an..6	N	Not used
1222	Configuration level	C n..2	N	Not used
7083	Configuration, coded	C an..3	N	Not used

**Remark:****Example:**

LIN+++33399612:IN'

No = Consecutive segment number  
 MaxOcc = Maximum occurrence of the segment/group  
 Counter = Counter of segment/group within the standard

St = Status  
 EDIFACT: M=Mandatory, C=Conditional  
 User specific: R=Required, O=Optional, D=Dependent,  
 A=Advised, N=Not used

Counter	No	Tag	St	MaxOcc	Level	Name
0290		<b>SG9</b>	R	9999	1	<b>LIN-PIA-SG11</b>
0310	9	<b>PIA</b>	O	10	2	<b>ADDITIONAL PRODUCT ID</b>

Standard			Implementation	
Tag	Name	St Format	St Format	Usage / Remark
PIA				
4347	Product id. function qualifier	M an..3	M an..3	<b>1 Additional identification</b>
C212	ITEM NUMBER IDENTIFICATION	M	M	
7140	Item number	C an..35	R an..35	Production batch number (concerns only steel suppliers)
7143	Item number type, coded	C an..3	N	Not used
1131	Code list qualifier	C an..3	N	Not used
3055	Code list responsible agency, coded	C an..3	N	Not used
C212	ITEM NUMBER IDENTIFICATION	C	N	
7140	Item number	C an..35	N	Not used
7143	Item number type, coded	C an..3	N	Not used
1131	Code list qualifier	C an..3	N	Not used
3055	Code list responsible agency, coded	C an..3	N	Not used
C212	ITEM NUMBER IDENTIFICATION	C	N	
7140	Item number	C an..35	N	Not used
7143	Item number type, coded	C an..3	N	Not used
1131	Code list qualifier	C an..3	N	Not used
3055	Code list responsible agency, coded	C an..3	N	Not used
C212	ITEM NUMBER IDENTIFICATION	C	N	
7140	Item number	C an..35	N	Not used
7143	Item number type, coded	C an..3	N	Not used
1131	Code list qualifier	C an..3	N	Not used
3055	Code list responsible agency, coded	C an..3	N	Not used
C212	ITEM NUMBER IDENTIFICATION	C	N	
7140	Item number	C an..35	N	Not used
7143	Item number type, coded	C an..3	N	Not used
1131	Code list qualifier	C an..3	N	Not used
3055	Code list responsible agency, coded	C an..3	N	Not used

**Remark:**

The PIA segment is only used in case of a production batch number (concerns steel suppliers)

**Example:**

PIA+1+XX11111'

No = Consecutive segment number  
 MaxOcc = Maximum occurrence of the segment/group  
 Counter = Counter of segment/group within the standard

St = Status  
 EDIFACT: M=Mandatory, C=Conditional  
 User specific: R=Required, O=Optional, D=Dependent,  
 A=Advised, N=Not used

Counter	No	Tag	St	MaxOcc	Level	Name
0420		<b>SG11</b>	R	9999	2	INV-QTY-SG12-SG14
0430	10	<b>INV</b>	M	1	2	INVENTORY MANAGEMENT RELATED DETAILS

Standard			Implementation	
Tag	Name	St Format	St Format	Usage / Remark
INV				
4501	Inventory movement direction, coded	C an..3	R an..3	<b>1 Movement out of inventory</b> <b>2 Movement into inventory</b>
7491	Type of inventory affected, coded	C an..3	N	Not used
4499	Reason for inventory movement, coded	C an..3	R an..3	<b>1 Reception</b> <b>2 Delivery</b> <b>3 Scrapped parts</b> <b>4 Difference</b> <b>5 Property transfer within warehouse</b> <b>6 Inventory recycling</b> <b>7 Reversal of previous movement</b> <b>8 Defects (technical)</b> <b>9 Commercial</b> <b>10 Conversion</b> <b>11 Consumption</b>
4503	Inventory balance method, coded	C an..3	N	Not used
C522	INSTRUCTION	C	N	
4403	Instruction qualifier	M an..3	N	Not used
4401	Instruction, coded	C an..3	N	Not used
1131	Code list qualifier	C an..3	N	Not used
3055	Code list responsible agency, coded	C an..3	N	Not used
4400	Instruction	C an..35	N	Not used

**Remark:**

**Example:**

INV+1+++11'

No = Consecutive segment number  
 MaxOcc = Maximum occurrence of the segment/group  
 Counter = Counter of segment/group within the standard

St = Status  
 EDIFACT: M=Mandatory, C=Conditional  
 User specific: R=Required, O=Optional, D=Dependent,  
 A=Advised, N=Not used

Counter	No	Tag	St	MaxOcc	Level	Name
	0420	<b>SG11</b>	R	9999	2	INV-QTY-SG12-SG14
	0440	<b>QTY</b>	M	1	3	QUANTITY

Standard			Implementation	
Tag	Name	St Format	St Format	Usage / Remark
QTY				
C186	QUANTITY DETAILS	M	M	
6063	Quantity qualifier	M an..3	M an..3	<b>1 Discrete quantity</b> <b>3 Cumulative quantity</b> <b>17 Quantity on hand</b>
6060	Quantity	M n..15	M n..15	Quantity
6411	Measure unit qualifier	C an..3	R an..3	<b>PCE piece</b> <b>KGM kilogram</b> <b>LTR litre</b> <b>TNE tonne (metric ton)</b>

**Remark:**

**Example:**

QTY+1:1500:PCE'

No = Consecutive segment number  
 MaxOcc = Maximum occurrence of the segment/group  
 Counter = Counter of segment/group within the standard

St = Status  
 EDIFACT: M=Mandatory, C=Conditional  
 User specific: R=Required, O=Optional, D=Dependent,  
 A=Advised, N=Not used



Counter	No	Tag	St	MaxOcc	Level	Name
0490		<b>SG12</b>	R	1	3	CONSIGNEE INFORMATION
0500	12	<b>NAD</b>	M	1	3	NAME AND ADDRESS

Standard			Implementation	
Tag	Name	St Format	St Format	Usage / Remark
NAD				
3035	Party qualifier	M an..3	M an..3	<b>CN Consignee</b>
C082	PARTY IDENTIFICATION DETAILS	C	R	
3039	Party id. identification	M an..35	M an..35	Receiver ID
1131	Code list qualifier	C an..3	N	Not used
3055	Code list responsible agency, coded	C an..3	O an..3	<b>92 Assigned by buyer or buyer's agent</b>
C058	NAME AND ADDRESS	C	N	
3124	Name and address line	M an..35	N	Not used
3124	Name and address line	C an..35	N	Not used
3124	Name and address line	C an..35	N	Not used
3124	Name and address line	C an..35	N	Not used
3124	Name and address line	C an..35	N	Not used
C080	PARTY NAME	C	O	
3036	Party name	M an..35	M an..35	CN Name
3036	Party name	C an..35	N	Not used
3036	Party name	C an..35	N	Not used
3036	Party name	C an..35	N	Not used
3036	Party name	C an..35	N	Not used
3045	Party name format, coded	C an..3	N	Not used
C059	STREET	C	O	
3042	Street and number/p.o. box	M an..35	M an..35	CN Street
3042	Street and number/p.o. box	C an..35	N	Not used
3042	Street and number/p.o. box	C an..35	N	Not used
3042	Street and number/p.o. box	C an..35	N	Not used
3164	City name	C an..35	O an..35	CN City
3229	Country sub-entity identification	C an..9	N	Not used
3251	Postcode identification	C an..9	O an..9	CN ZIP Code.
3207	Country, coded	C an..3	O an..3	<b>DE GERMANY</b> Further codes can be used.

**Remark:****Example:**

NAD+CN+0023::92++CN Name+CN Street+CN City++33020+DE'

No = Consecutive segment number  
 MaxOcc = Maximum occurrence of the segment/group  
 Counter = Counter of segment/group within the standard

St = Status  
 EDIFACT: M=Mandatory, C=Conditional  
 User specific: R=Required, O=Optional, D=Dependent,  
 A=Advised, N=Not used

Counter	No	Tag	St	MaxOcc	Level	Name
---------	----	-----	----	--------	-------	------

0560      **SG14**      D      10      3      RFF-DTM

RFF Segments can vary depend on Benteler location.

0570    13      **RFF**      M      1      3      REFERENCE

Standard			Implementation	
Tag	Name	St Format	St Format	Usage / Remark
RFF				
C506	REFERENCE	M	M	
1153	Reference qualifier	M an..3	M an..3	<b>ZZZ Mutually defined reference number</b> <b>DM Document number</b> <b>ACO Iron charge number</b> <b>ACP Hot roll number</b> <b>ACQ Cold roll number</b> <b>BT Batch number/lot number</b> <b>AAK Despatch advice number</b>
1154	Reference number	C an..35	R an..35	
1156	Line number	C an..6	N	Not used
4000	Reference version number	C an..35	N	Not used

**Remark:**

**Example:**

RFF+DM: 22711456'

No = Consecutive segment number  
 MaxOcc = Maximum occurrence of the segment/group  
 Counter = Counter of segment/group within the standard

St = Status  
 EDIFACT: M=Mandatory, C=Conditional  
 User specific: R=Required, O=Optional, D=Dependent,  
 A=Advised, N=Not used

Counter	No	Tag	St	MaxOcc	Level	Name
0560		<b>SG14</b>	D	10	3	<b>RFF-DTM</b>
RFF Segments can vary depend on Benteler location.						
0580	14	<b>DTM</b>	D	1	4	<b>DOCUMENT DATE</b>

		Standard	Implementation		
Tag	Name	St Format	St Format	Usage / Remark	
<b>DTM</b>					
C507	DATE/TIME/PERIOD	M	M		
2005	Date/time/period qualifier	M an..3	M an..3	<b>137 Document/message date/time</b>	
2380	Date/time/period	C an..35	R an..35	Example= 20161230	
2379	Date/time/period format qualifier	C an..3	R an..3	<b>102 CCYYMMDD</b>	

**Remark:**  
DTM only appears with RFF+DM

**Example:**  
DTM+137:20161230:102'

No = Consecutive segment number  
MaxOcc = Maximum occurrence of the segment/group  
Counter = Counter of segment/group within the standard

St = Status  
EDIFACT: M=Mandatory, C=Conditional  
User specific: R=Required, O=Optional, D=Dependent,  
A=Advised, N=Not used

Counter	No	Tag	St	MaxOcc	Level	Name
0700	15	<b>UNT</b>	M	1	0	MESSAGE TRAILER

Standard			Implementation	
Tag	Name	St Format	St Format	Usage / Remark
UNT				
0074	Number of segments in a message	M n..6	M n..6	
0062	Message reference number	M an..14	M an..14	

**Remark:**

**Example:**  
UNT+14+1'

No = Consecutive segment number  
 MaxOcc = Maximum occurrence of the segment/group  
 Counter = Counter of segment/group within the standard

St = Status  
 EDIFACT: M=Mandatory, C=Conditional  
 User specific: R=Required, O=Optional, D=Dependent,  
 A=Advised, N=Not used

Counter	No	Tag	St	MaxOcc	Level	Name
0000	16	<b>UNZ</b>	M	1	0	INTERCHANGE TRAILER

Standard			Implementation	
Tag	Name	St Format	St Format	Usage / Remark
UNZ				
0036	Interchange control count	M n..6	M n..6	
0020	Interchange control reference	M an..14	M an..14	

**Remark:**

**Example:**

UNZ+1+2530014'

No = Consecutive segment number  
 MaxOcc = Maximum occurrence of the segment/group  
 Counter = Counter of segment/group within the standard

St = Status  
 EDIFACT: M=Mandatory, C=Conditional  
 User specific: R=Required, O=Optional, D=Dependent,  
 A=Advised, N=Not used